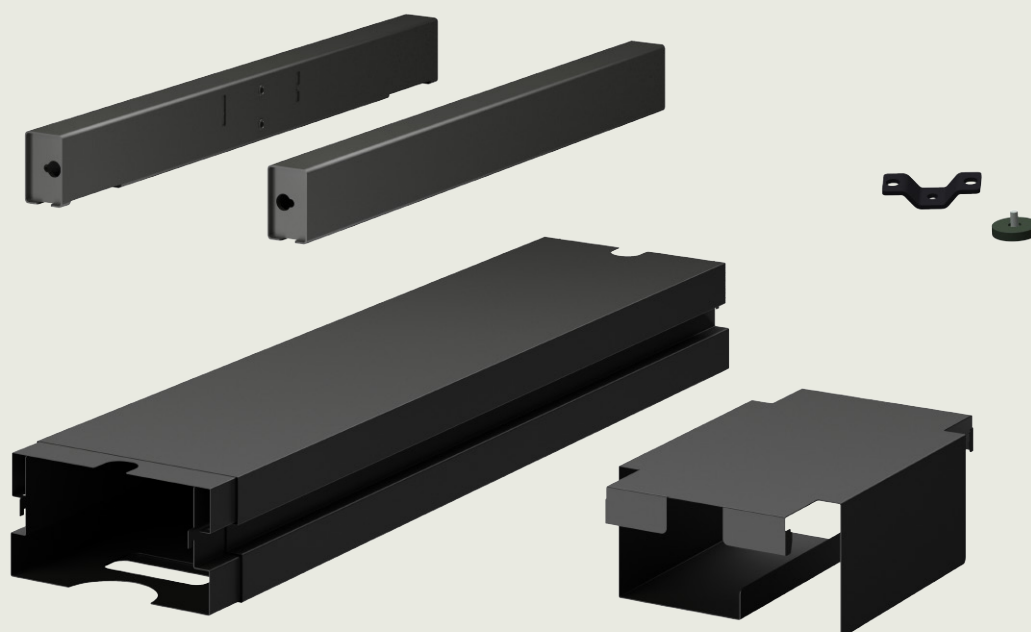
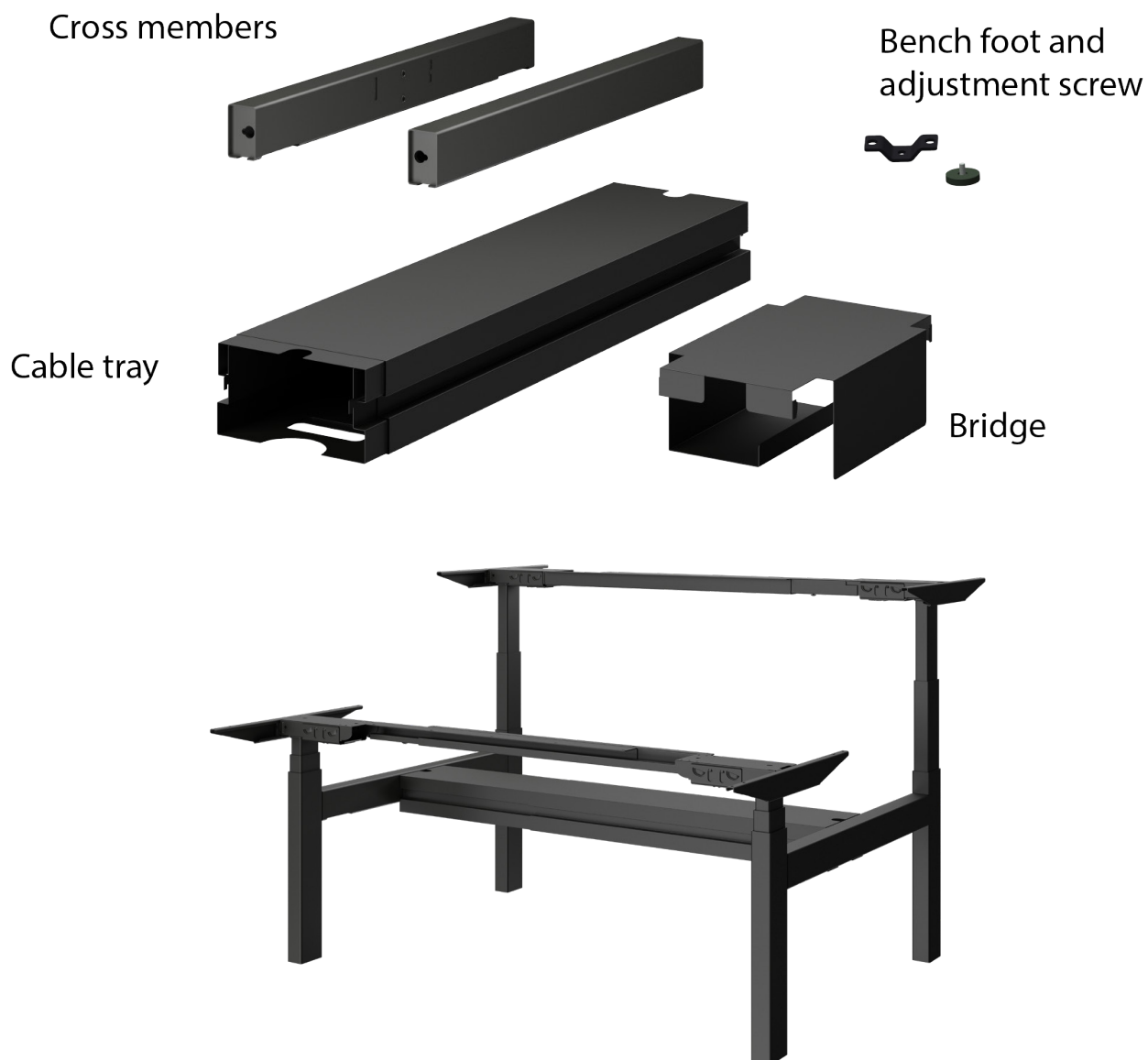


DESKLINE® bench accessories

Data Sheet





The DESKLINE® bench system is the smart and intuitive solution for creating a complete bench system using the DESKLIFT™ columns with bench bracket options H and V, the Kick & Click™ top frame, and the dedicated cross members. The solution is perfect for various office desks in various designs.

By means of two cross members, two desks are joined together to form the DESKLINE® bench system. The cross members are available in various designs and colours leaving the final desk design to the desk manufacturer.

To ease cable management and avoid cable clutter, an adjustable cable tray can be added to the bench system. The cable tray is available in various colours.

Multiple bench systems can be connected using bridges ensuring a perfect line-up of the desks in an office. The bridge is available in various colours and designs to fit the cross members selected.

Features/Accessories/Compatibility/Usage

Features

Cross members

- Lengths: 620 mm or 820 mm for DL5/DL6
- Colour: Available in black (RAL 9005), grey (RAL 9006), or white (RAL 9016)

Feet

- Feet for bench solution (including adjustment screws)

Accessories

- Cable tray for cable management
- Bridge for connection of two bench systems

Compatibility

- DESKLINE® systems based on DL5 or DL6 columns (standard or IC) with bench bracket (options H and V only)

Usage

- Can be used for T-desks (central placement of legs)
- A DESKLINE® bench system consists of:
 - a Kick & Click™ top frame
 - two columns (a DL SetPack)
 - a bench set

Ordering



A cross member set comprises all parts for joining together two desks into a bench system: 2 cross members, 4 threaded pins (M8 x 40 mm), 4 hex flange nuts, 4 bench feet, 8 mounting screws, and 4 adjustment screws.

Cross members (set-packed)

Item number	Fits column	Colour *	Length (mm)
CM06A6201100	DL5 / DL6	Grey	620
CM06B6201100	DL5 / DL6	Black	620
CM06D6201100	DL5 / DL6	White	620
CM06A8201100	DL5 / DL6	Grey	820
CM06B8201100	DL5 / DL6	Black	820
CM06D8201100	DL5 / DL6	White	820

Cross member weight

Type of cross member	Approx. weight per cross member (kg)	Approx. weight as a set-packed solution (kg)
DL5 / DL6 columns, 620 mm	2.4	5.2
DL5 / DL6 columns, 820 mm	3.1	6.6

30 packs fit on one pallet.

Bench feet

The bench foot and related mounting and adjustments screws for the DESKLINE bench solution are part of the cross member set compatible with column bracket types H and V.

For other applications the bench-foot parts can be ordered as bulk delivery.

Bulk deliveries

Item	Bulk article numbers	Minimum order quantity
Bench foot	SA1066W3014-001	360
M8 x 14 mm mounting screws	SA0002747	500
M8 x 10 mm adjustment screws	SA1066W1024	1000



The bench foot is available in black.

Cable tray

Item number	Colour *
SA0DF2T-00-120-870	Grey
SA0DF2T-00-001-870	Black
SA0DF2T-00-022-870	White

The cable tray is available as single-pack.

Pallet information:

Number of cable tray packs	30 packs
Weight (including pallet)	269 kg
Dimensions (L x W x H)	1200 mm x 800 mm x 1046 mm

Bridge for connection of two bench systems

Item number	Columns	Colour *
SA1066W3012-120	DL5 / DL6	Grey
SA1066W3012-001		Black
SA1066W3012-022		White

The bridge is available as single-pack.

Pallet information:

Parameter	DL5 / DL6
Number of cable tray packs	70 packs
Weight (including pallet)	104 kg
Dimensions (L x W x H)	1200 mm x 800 mm x 981 mm

*: Grey: RAL 9006
 Black: RAL 9005
 White: RAL 9016



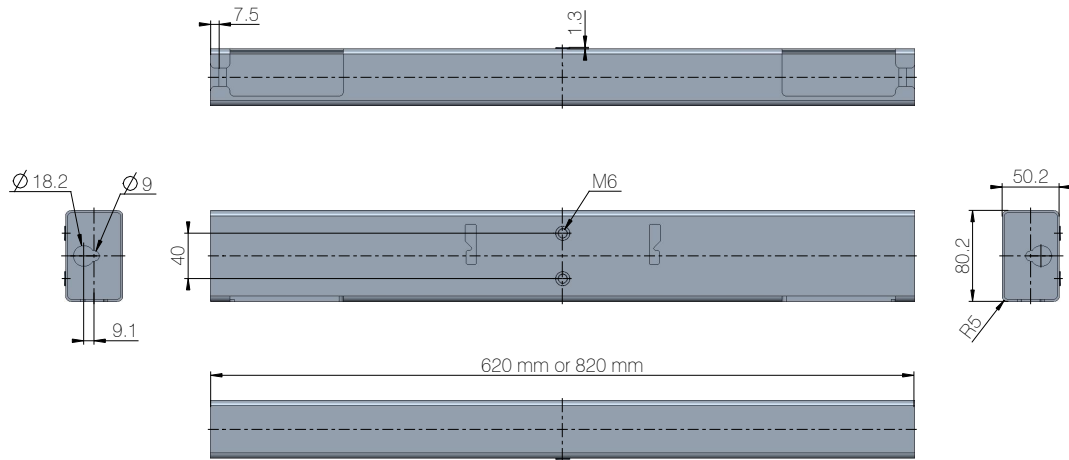
Always select columns with bracket options H and V for the LINAK bench solution.

Dimension drawings



All dimensions are in mm.

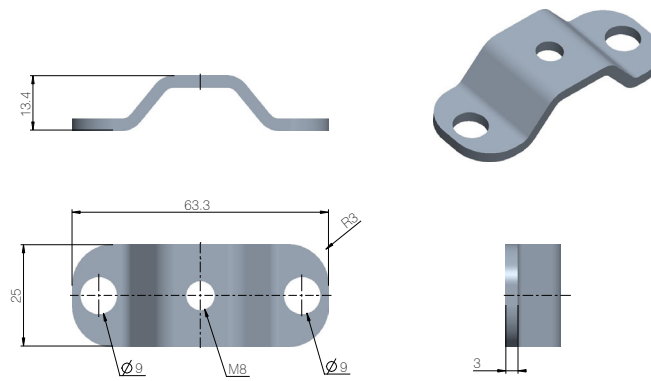
Cross member



Drawing no. 1066W4030

Figure 1 Cross member or desks with DL5 / DL6

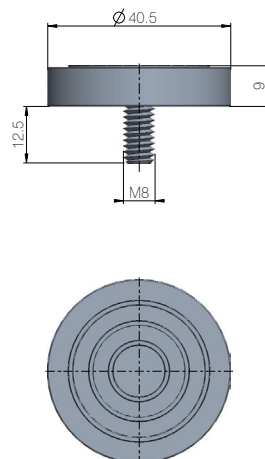
Bench foot



Drawing no. 1066W4033

Figure 2 Bench foot

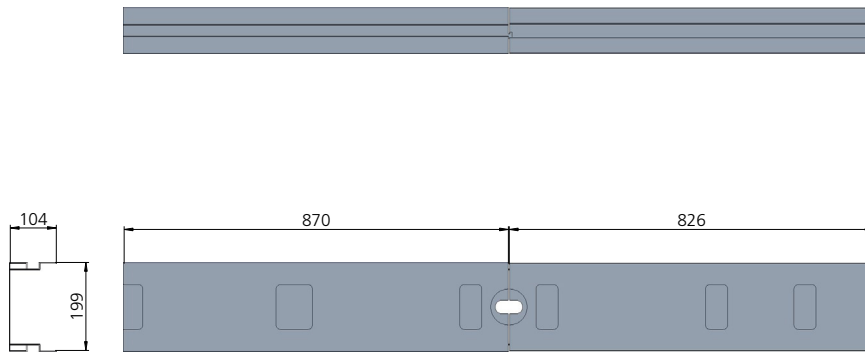
Adjustment screw for bench foot



Drawing no. 1066W4034

Figure 3 Adjustment screw for bench foot

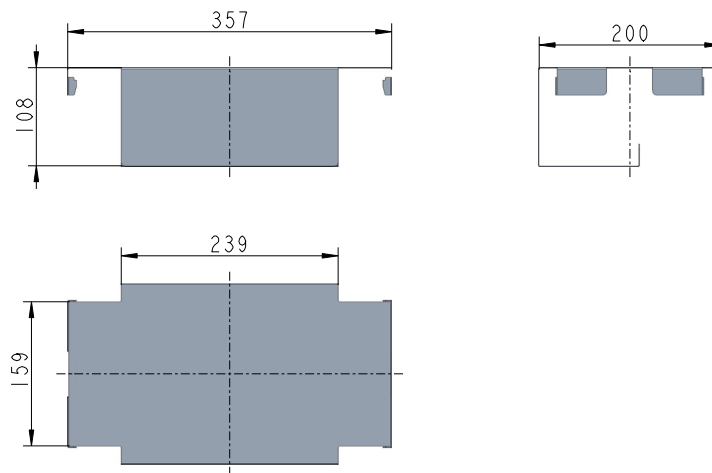
Cable tray



Drawing no. 1066W4060

Figure 4 Bench cable tray

Bridge



Drawing no. 1066W4041

Figure 5 Bench bridge for desks with DL5 / DL6

Contacts

FACTORIES

Denmark - Headquarters
 LINAK A/S
 Phone: +45 73 15 15 15
 Fax: +45 74 45 80 48
 Fax (Sales): +45 73 15 16 13
 Web: www.linak.com

China
 LINAK (Shenzhen) Actuator Systems, Ltd.
 Phone: +86 755 8610 6656
 Phone: +86 755 8610 6990
 Web: www.linak.cn

Slovakia
 LINAK Slovakia s.r.o.
 Phone: +421 51 7563 444
 Web: www.linak.sk

Thailand
 LINAK APAC Ltd.
 Phone: +66 33 265 400
 Web: www.linak.com

USA
 LINAK U.S. Inc.
 Americas Headquarters
 Phone: +1 502 253 5595
 Fax: +1 502 253 5596
 Web: www.linak-us.com
 www.linak-latinamerica.com

SUBSIDIARIES

Australia
 LINAK Australia Pty. Ltd
 Phone: +61 3 8796 9777
 Fax: +61 3 8796 9778
 E-mail: sales@linak.com.au
 Web: www.linak.com.au

Austria
 LINAK Zweigniederlassung - Österreich (Wien)
 Phone: +43 (1) 890 7446
 Fax: +43 (1) 890 744615
 E-mail: info@linak.de
 Web: www.linak.at - www.linak.hu

Belgium
 LINAK Actuator-Systems NV/SA
 (Belgium & Luxembourg)
 Phone: +32 (0)9 230 01 09
 E-mail: beinfo@linak.be
 Web: www.linak.be - www.fr.linak.be

Brazil
 LINAK Do Brasil Comércio De Atuadores Ltda.
 Phone: +55 (11) 2832 7070
 Fax: +55 (11) 2832 7060
 E-mail: info@linak.com.br
 Web: www.linak.com.br

Canada
 LINAK Canada Inc.
 Phone: +1 502 253 5595
 Fax: +1 416 255 7720
 E-mail: info@linak.ca
 Web: www.linak-us.com

Czech Republic
 LINAK C&S s.r.o.
 Phone: +42 058 174 1814
 Fax: +42 058 170 2452
 E-mail: info@linak.cz
 Web: www.linak.cz - www.linak.sk

Denmark - International
 LINAK International
 Phone: +45 73 15 15 15
 E-mail: info@linak.com
 Web: www.linak.com

Denmark - Sales
 LINAK Danmark A/S
 Phone: +45 86 80 36 11
 Fax: +45 86 82 90 51
 E-mail: linak@linak-silkeborg.dk
 Web: www.linak.dk

Finland
 LINAK OY
 Phone: +358 10 841 8700
 E-mail: linak@linak.fi
 Web: www.linak.fi

France
 LINAK France E.U.R.L
 Phone: +33 (0) 2 41 36 34 34
 Fax: +33 (0) 2 41 36 35 00
 E-mail: linak@linak.fr
 Web: www.linak.fr

Germany
 LINAK GmbH
 Phone: +49 6043 9655 0
 Fax: +49 6043 9655 60
 E-mail: info@linak.de
 Web: www.linak.de

India
 LINAK A/S India Liaison Office
 Phone: +91 120 4531797
 Fax: +91 120 4786428
 E-mail: info@linak.in
 Web: www.linak.in

Italy
 LINAK ITALIA S.r.l.
 Phone: +39 02 48 46 33 66
 Fax: +39 02 48 46 82 52
 E-mail: info@linak.it
 Web: www.linak.it

Japan
 LINAK K.K.
 Phone: 81-45-533-0802
 Fax: 81-45-533-0803
 E-mail: linak@linak.jp
 Web: www.linak.jp

Malaysia
 LINAK Actuators Sdn. Bhd.
 Phone: +60 4 210 6500
 Fax: +60 4 226 8901
 E-mail: info@linak-asia.com
 Web: www.linak.my

Netherlands
 LINAK Actuator-Systems B.V.
 Phone: +31 76 5 42 44 40 /
 +31 76 200 11 10
 E-mail: info@linak.nl
 Web: www.linak.nl

New Zealand
 LINAK New Zealand Ltd
 Phone: +64 9580 2071
 Fax: +64 9580 2072
 E-mail: nzsales@linak.com.au
 Web: www.linak.com.au

Norway
 LINAK Norge AS
 Phone: +47 32 82 90 90
 E-mail: info@linak.no
 Web: www.linak.no

Poland
 LINAK Polska
 LINAK Danmark A/S (Spółka Akcyjna)
 Phone: +48 22 295 09 70 /
 +48 22 295 09 71
 E-mail: info@linak.pl
 Web: www.linak.pl

Republic of Korea
 LINAK Korea Ltd.
 Phone: +82 2 6231 1515
 Fax: +82 2 6231 1516
 E-mail: info@linak.kr
 Web: www.linak.kr

Slovakia
 LINAK Slovakia S.R.O.
 Phone: +421 51 7563 444
 Web: www.linak.sk

Spain
 LINAK Actuadores, S.L.U
 Phone: +34 93 588 27 77
 Fax: +34 93 588 27 85
 E-mail: esma@linak.es
 Web: www.linak.es

Sweden
 LINAK Scandinavia AB
 Phone: +46 8 732 20 00
 Fax: +46 8 732 20 50
 E-mail: info@linak.se
 Web: www.linak.se

Switzerland
 LINAK AG
 Phone: +41 43 388 31 88
 Fax: +41 43 388 31 87
 E-mail: info@linak.ch
 Web: www.linak.ch - www.fr.linak.ch
 www.it.linak.ch

Taiwan
 LINAK (Shenzhen) Actuator systems Ltd.
 Taiwan Representative office
 Phone: +886 2 272 90068
 Fax: +886 2 272 90096
 E-mail: sales@linak.com.tw
 Web: www.linak.com.tw

Turkey
 LINAK İth. İhr. San. ve Tic. A.Ş.
 Phone: +90 312 4726338
 Fax: +90 312 4726635
 E-mail: info@linak.com.tr
 Web: www.linak.com.tr

United Kingdom & Ireland
 LINAK UK Limited
 Phone: +44 (0)121 544 2211
 Fax: +44 (0)121 544 2552
 E-mail: sales@linak.co.uk
 Web: www.linak.co.uk

DISTRIBUTORS

Argentina
 Novotec Argentina SRL
 Phone: 011-4303-8989 / 8900
 Fax: 011-4032-0184
 E-mail: info@novotecargentina.com
 Web: www.novotecargentina.com

Colombia
 MEM Ltda
 Phone: +[57] (1) 334-7666
 Fax: +[57] (1) 282-1684
 E-mail: servicioalcliente@memlda.com.co
 Web: www.mem.net.co

India
 Mechatronics Control Equipments India Pvt Ltd
 Phone: +91-44-28558484, 85
 E-mail: bala@mechatronicscontrol.com
 Web: www.mechatronicscontrol.com

Indonesia
 PT. Himalaya Everest Jaya
 Phone: +6 221 544 8956 /+6 221 544 8965
 Fax: +6 221 619 1925
 Fax (Sales): +6 221 619 4658
 E-mail: hejplastic-div@centrin.net.id
 Web: www.hej.co.id

Israel
 NetivTech LTD
 Phone: +972 55-2266-535
 Fax: +972 2-9900-560
 Email: info@NetivTech.com
 Web: www.netivtech.com

Singapore
 Servo Dynamics Pte Ltd
 Phone: +65 6844 0288
 Fax: +65 6844 0070
 E-mail: servodynamics@servo.com.sg

South Africa
 Industrial Specialised Applications CC
 Phone: +27 011 466 0346
 E-mail: gartht@isagroup.co.za
 Web: www.isaza.co.za

United Arab Emirates
 Mechatronics
 Phone: +971 4 267 4311
 Fax: +971 4 267 4312
 E-mail: mechtron@emirates.net.ae

Terms of use

LINAK® takes great care in providing accurate and up-to-date information on its products. However, the user is responsible for determining the suitability of LINAK products for a specific application. Due to continual development, LINAK products are subject to frequent modifications and changes. LINAK reserves the rights to conduct modifications, updates, and changes without any prior notice. For the same reason, LINAK cannot guarantee the correctness and actual status of imprinted information on its products.

LINAK uses its best efforts to fulfil orders. However, for the reasons mentioned above, LINAK cannot guarantee availability of any particular product at any given time. LINAK reserves the right to discontinue the sale of any product displayed on its website or listed in its catalogues or in other written material created and produced by LINAK, LINAK subsidiaries, or LINAK affiliates. All sales are subject to the 'Standard Terms of Sale and Delivery for LINAK A/S' available on LINAK websites. LINAK and the LINAK logotype are registered trademarks of LINAK A/S. All rights reserved.



WE IMPROVE YOUR LIFE