



Massage Motor Medical Data sheet

Massage Motor Medical

The massage motor can be added to all kinds of couches and tables, chairs or beds for treatment and examination. It enables comfort, relaxation and tension release for patients and clients.

The massage motors are directly connected to the actuator port at the control box – no extra wiring at the application, simple and easy mounting.

Combined with a LINAK® hand control and OpenBus™ control box the massage system offers advantages like

- Different massage programs via OpenBus programmable software
- High safety level due to integrated thermo switch
- One hand control for control of movement and massage intensity and massage pattern.



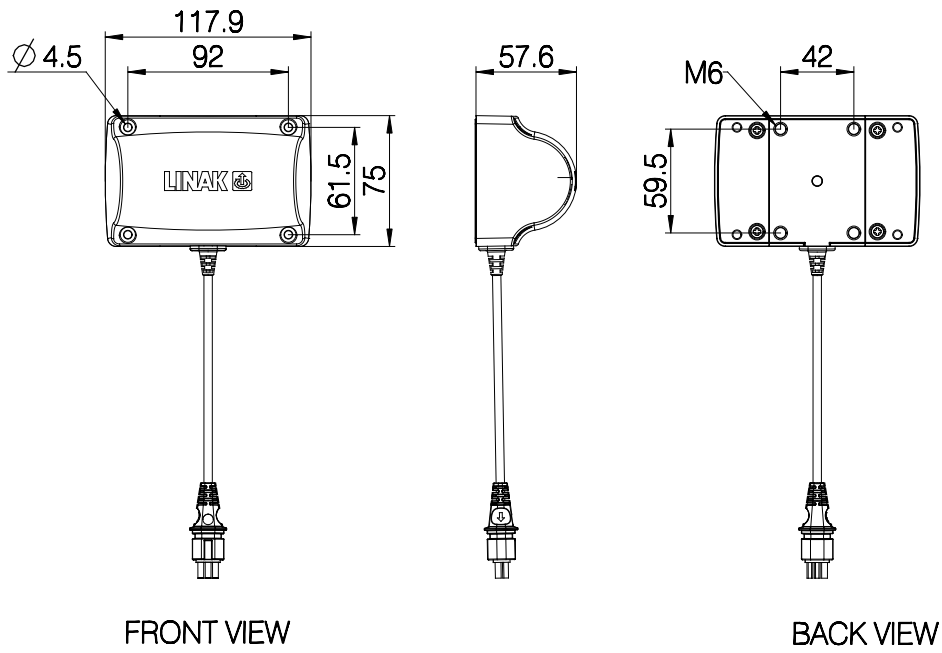
Features:

- Supply voltage: 24 V DC
- Current consumption: Max. 0.5 A
- Housing colour: Dark grey (RAL 7016)
- Housing material: V0 plastics PC/ABS
- Safety: Integrated thermo switch (PTC) cuts off when the temperature exceeds the critical level
- Protection class: IPX0

Usage:

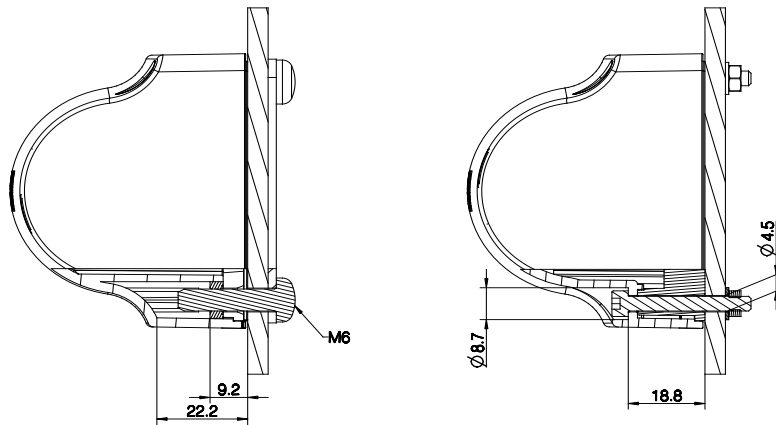
- Compatibility: CB6 OBMe, CB16 OBF, (CB20 pending)
MJB006-0x to be used for OpenBus™ impulse drive
- Duty cycle: 10%, 30 min. max.
- Operating temperature: +5°C to +40°C
- Storage temperature: -10°C to +50°C
- Relative humidity: 20% to 80% - non-condensing
- Atmospheric pressure: 700 to 1060hPa
- Height above sea level: Max. 3000 meters
- Approvals: Medical approvals to be determined

Dimensions MD1000D3:



Drawing no.: 0764000

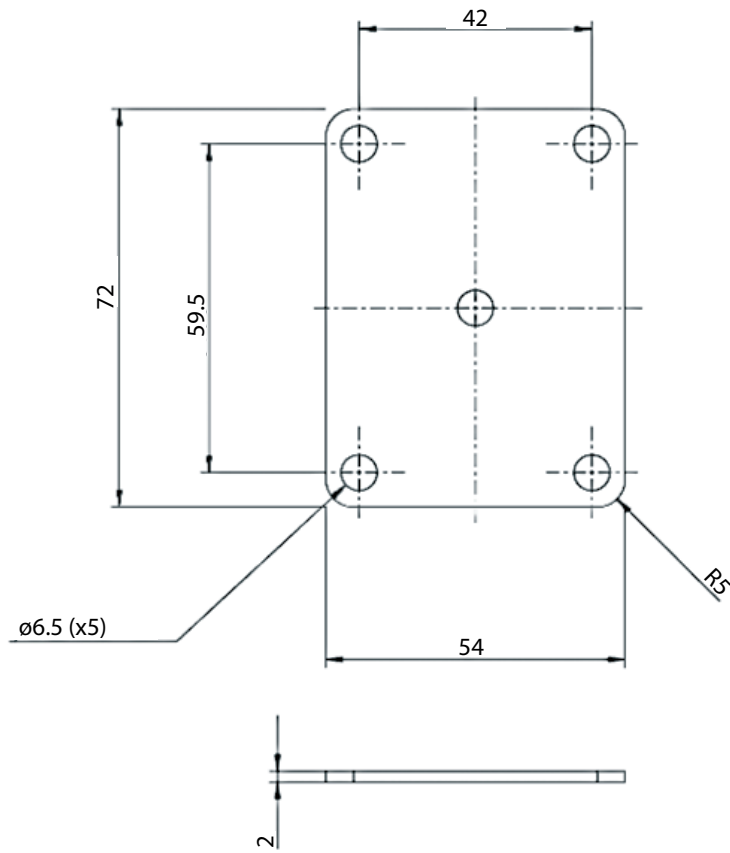
Mounting dimensions:



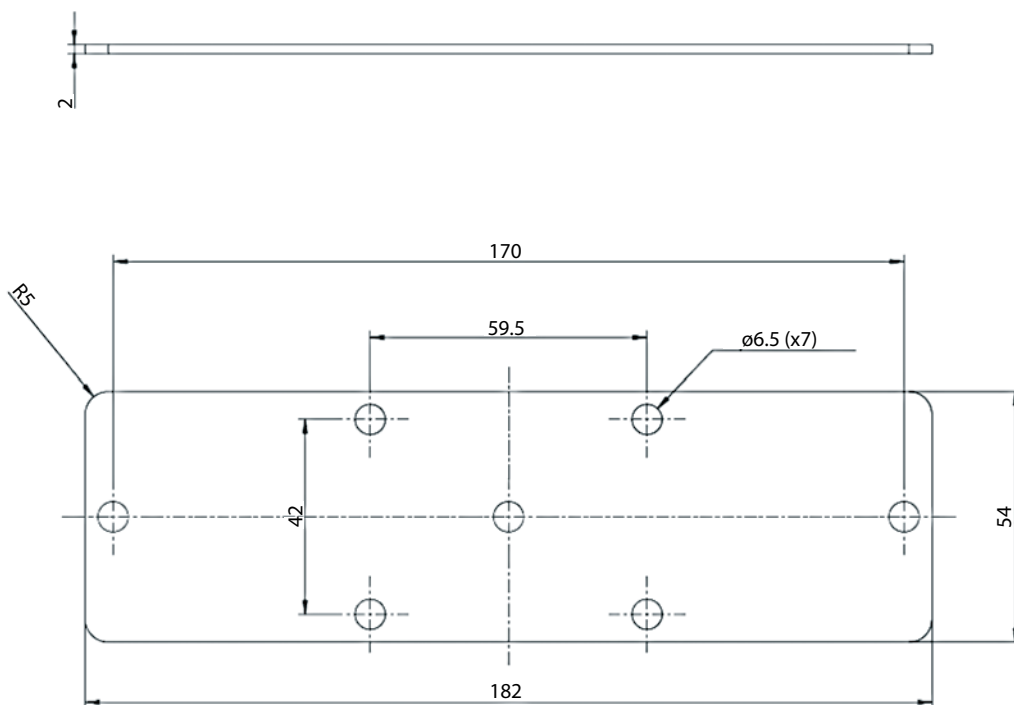
Drawing no.: 0764002

Dimensions:

Bracket:
Article no.: 0761009

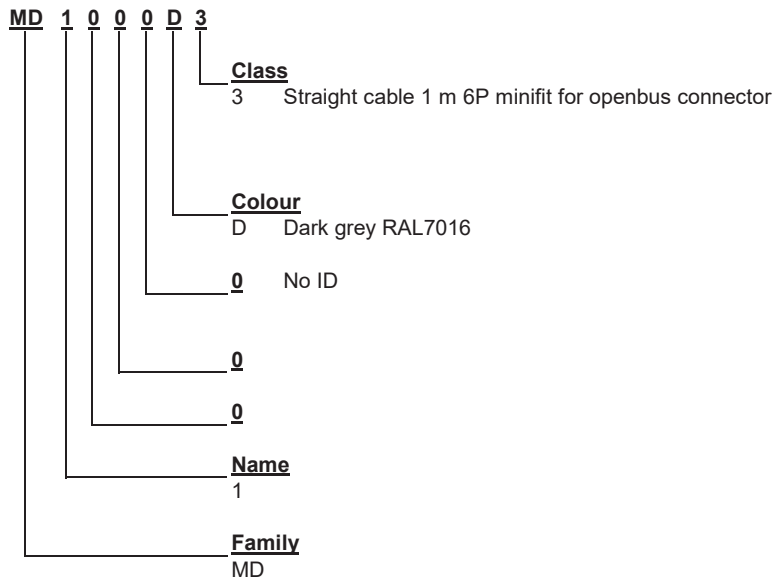


Bracket:
Article no.: 0761010



Brackets must be ordered separately.

Ordering example:



Terms of use

The user is responsible for determining the suitability of LINAK products for specific application. LINAK takes great care in providing accurate and up-to-date information on its products. However, due to continuous development in order to improve its products, LINAK products are subject to frequent modifications and changes without prior notice. Therefore, LINAK cannot guarantee the correct and actual status of said information on its products. While LINAK uses its best efforts to fulfil orders, LINAK cannot, for the same reasons as mentioned above, guarantee the availability of any particular product. Therefore, LINAK reserves the right to discontinue the sale of any product displayed on its website or listed in its catalogues or other written material drawn up by LINAK. All sales are subject to the Standard Terms of Sale and Delivery for LINAK. For a copy hereof, please contact LINAK.