



# Attendant Control Compact ACC Data sheet

# ACC

---

The ACC (Attendant Control Compact) is a cost optimised and compact box with up to 11 buttons that can be used as hand control keys or lock-outs.

The lock-out function can be made visible by using LEDs.

The ACC is compatible with control boxes that use an OpenBus™ interface, for instance CO61.

The ACC is fitted to advanced hospital and patient care beds for use where patient positioning must be carefully controlled by medical staff.

The ACC allows nursing staff to retain direct control over critical positioning functions while giving the patient a limited degree of adjustment.

This high degree of selective control is vital in cases such as spinal injuries and other similar conditions where backrest positioning must be carefully supervised.

The ACC is ergonomically designed and easy to install even on the most advanced equipment.

The ACC is mounted out of reach of the patient (for example at the end of the bed) and serves to block the hand control functions that may be inappropriate or even dangerous for the patient (for example in connection with a broken leg).



---

## Features:

- Ergonomic and compact design
- High strength plastic housing protects the electronics
- Protection against single fault condition according to EN 60601-1 when connected with control boxes that use an OpenBus interface, such as CO61
- A LED indicates when the battery is being charged (yellow)
- Protection class: IPX6
- Colour: Grey RAL 7035
- Flammability rating: HB
- Connection to CB or MJB via a "modular jack" cable

## Options:

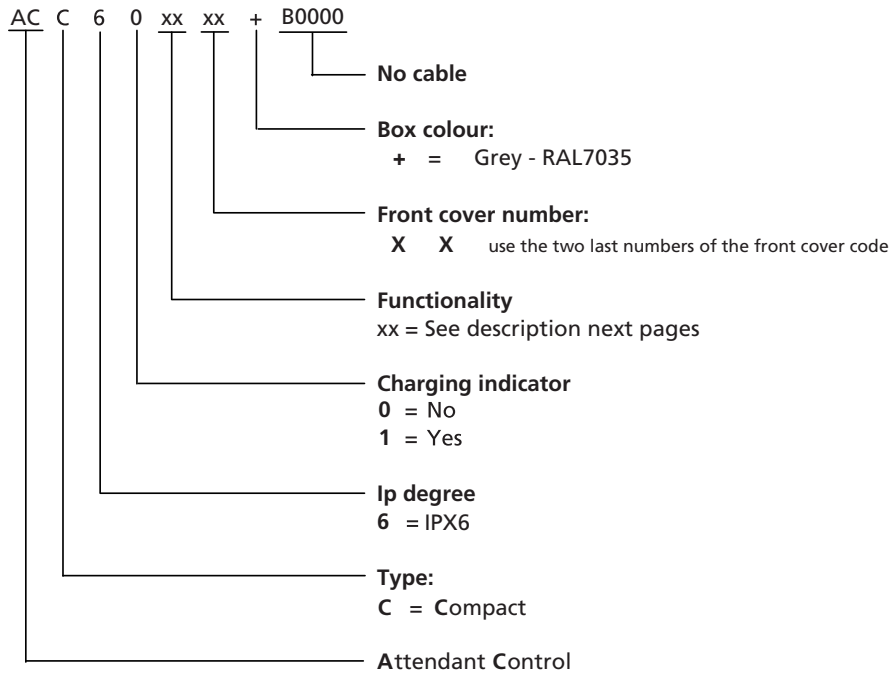
- Customised front cover
- It is possible to design front covers where the keys and LEDs are placed differently than on the standard LINAK front covers. This involves some development and tooling changes / costs

## Usage:

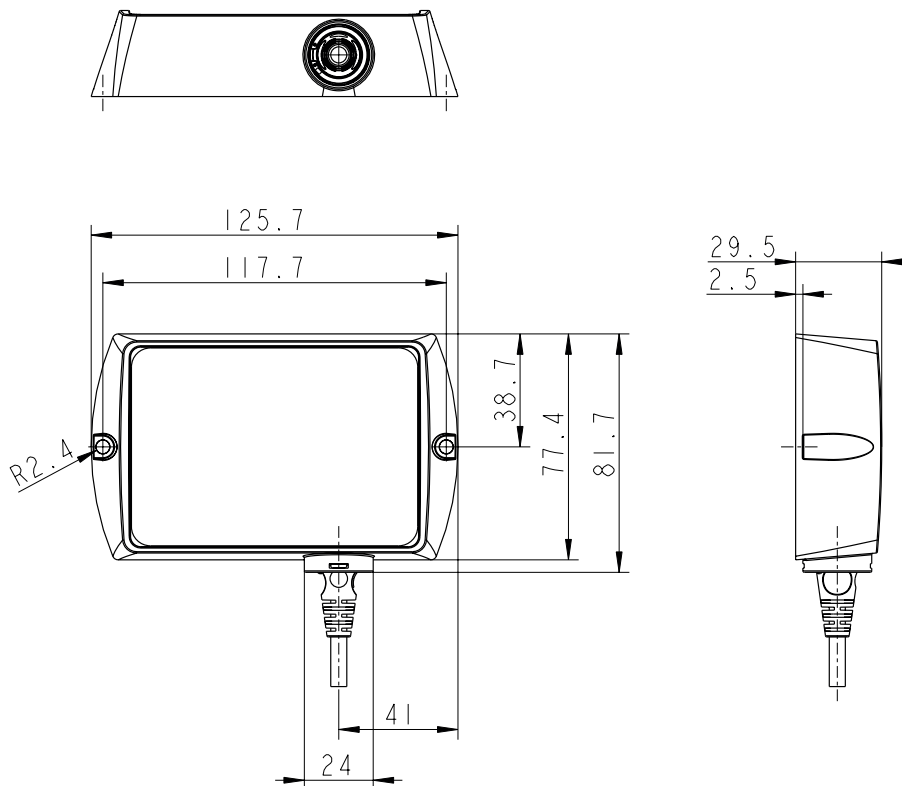
- Operation temperature: +5 °C to +40 °C
- Storage temperature: -10°C to +50 °C
- Relative humidity: 20% to 80% non-condensing
- Atmospheric pressure: 700 to 1060 hPa
- Approvals: IEC 60601-1  
ANSI/AAMI ES60601-1  
CAN/CSA-C22.2 No. 60601-1

## ACC

### Ordering example:



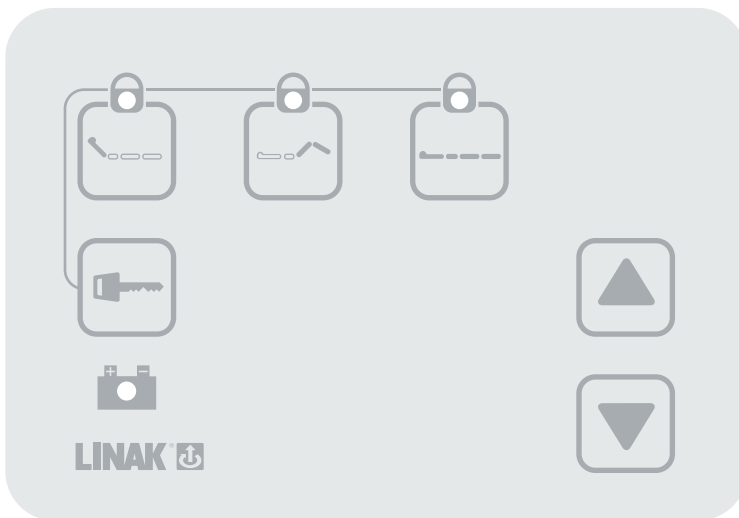
### Dimensions:



**Standard front covers:**



Standard front cover: 10ACC0001



Standard front cover: 10ACC0002

For customised front covers please contact LINAK A/S.

LINAK® accepts no responsibility for possible errors or inaccuracies in catalogues, brochures, and other material. LINAK reserves the right to change its products without prior notice. LINAK cannot guarantee product availability and reserves the right to discontinue the sale of any product. The user is responsible for determining the suitability of LINAK products for a specific application. All sales are subject to the 'Standard Terms of Sale and Delivery', available on LINAK websites.

LINAK and the LINAK logotype are registered trademarks of LINAK A/S. All rights reserved.