

Control Box CO61 MK2

Data Sheet



Contents

Introduction	3
Features and options	4
Usage	6
Ordering example	7
System overview	8
LED indicator	9
Acoustic signal functionality	9
Dimension drawing	10
Mounting brackets	11
For mounting with LA40	11
For mounting with LA31	11
For mounting with LA27	12
Mounting bracket (frame flat)	13
Mounting bracket (frame flat) w/M4 nuts	13
Mounted on frame	14
Mounting of cables and cable lock	15
Cable management	15
CO-Link™	16
Contacts	17

Introduction



The LINAK control box CO61 MK2 offers a consolidated range of unprecedented features – all utilising standardised technology, interfaces and compatibility.

The CO61 MK2 for LINAK actuators is intended for the control of, for example, hospital bed movement.

Equipped with 200 W SMPS, optional Bluetooth® Low Energy, excellent and well thought-out cable management as well as multiple easy mounting options, this control box opens up a wide range of application possibilities for the provident manufacturer of hospital and care applications.

With the CO61 MK2, FET, IPX6 Washable DURA™ protection and a battery port, are all standard options. The entire product platform supports the LINAK principle 'One World – One Box' – worldwide operable and applicable.

WeAssist™ ready

Easily integrated into the WeAssist system solution – smart and intuitive wheel technology for intelligent hospital bed manoeuvrability, enhancing patient care and operational efficiency.

Features and options

Power supply	Universal, SMPS 200 W power output (Switch Mode Power Supply) 100-240 VAC, 50/60 Hz -15% / +10%
Mains indicator	Yes - Green LED (mains connected)
Actuator interface	4 channels 6-pin Mini-Fit
Hand control interface	1 port 10-pin modular plug
CO-Link™	Link of primary and secondary CO61 MK2 - up to 8 channels and 2x200 W
Bluetooth® Low Energy	Bluetooth Low Energy gen. 2 available as option
Battery interface	1 port 4-pin Mini-Fit (charging current 300 mA when no actuators are running)
Standby power	w/o Bluetooth Low Energy: Approx. 0.5 W (100-240 V AC) w/ Bluetooth Low Energy: Approx. 0.6 W (100-240 V AC)
Colour	Light grey (RAL 7035)
Output short-circuit protected	Yes
Control concept	FET (no relay noise)
Power Supply Circuit Method	Full bridge
Duty cycle	10% - 2/18 min. on/off continuous use. Maximum power is 200 W for 80 seconds and 100 W for 40 seconds at 25 °C
Weight	Low weight 0.7 kg
Actuator compatibility	Actuators with signal, feedback by hall and potentiometer
Battery charger	Battery input available. No charger, but supports battery with internal charger
Charging indicator	Supported by using BA22
Acoustic warning signal	Internal buzzer
Battery alarm	Supported by using BA22
PCP version	PCP 2.0 (PCP 1.0 available in SW)
EOP	Yes
IP-Rating	IPX6 Washable DURA™

Operation	True parallel (hall feedback)
Max. current	10 A/CH, 2/18 min. Max. 12 A/CH in a limited time period
Accessories	OpenBus™ standard
Power management	High speed at low loads and/or high loads at a lower speed
Overload protection	The CO61 MK2 can reduce the output voltages to prevent overload
Safety system	Thermally protected Short-circuit protected Hot-plugging protected
Start/stop	Soft start/direct stop
Protection class	Class 2 Class 1 is possible with pigtail on mains cable
Cable lock	Integrated in lid
Mounting	Compatible with a wide range of mounting brackets

Usage

Operation temperature: +5 °C to +40 °C

Storage temperature: -10 °C to +50 °C

Relative humidity: 20% to 80% – non-condensing

Atmospheric pressure: 700 to 1060 hPa

Meters above sea level: Max. 3000 meters

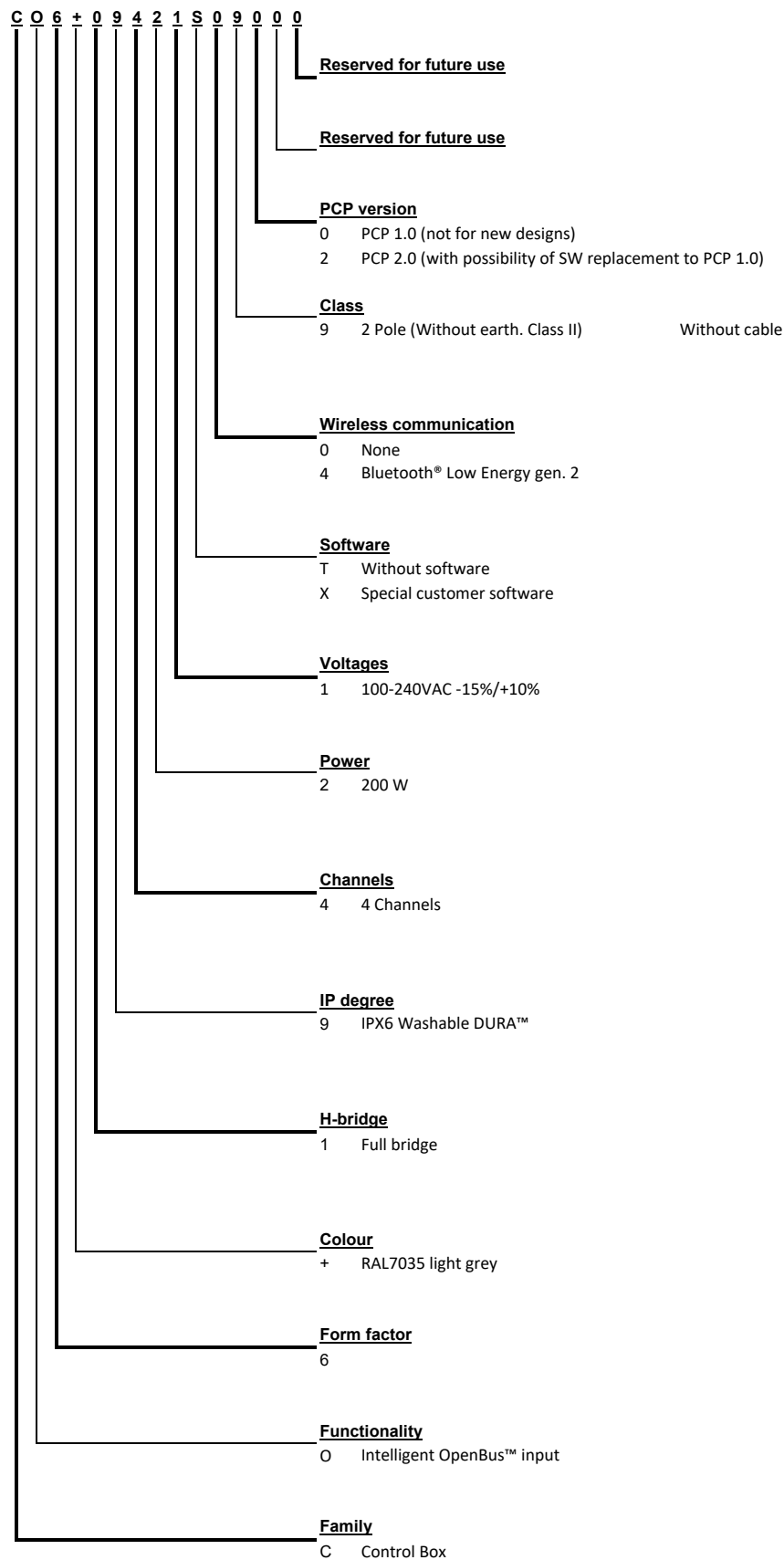
Mains supply grid should be limited to the highest prospective short circuit current of 1,500 A.

Demands to mains supply safety for the application in accordance with IEC 60601-1 ed. 3.2, § 8.11.5

Approvals:

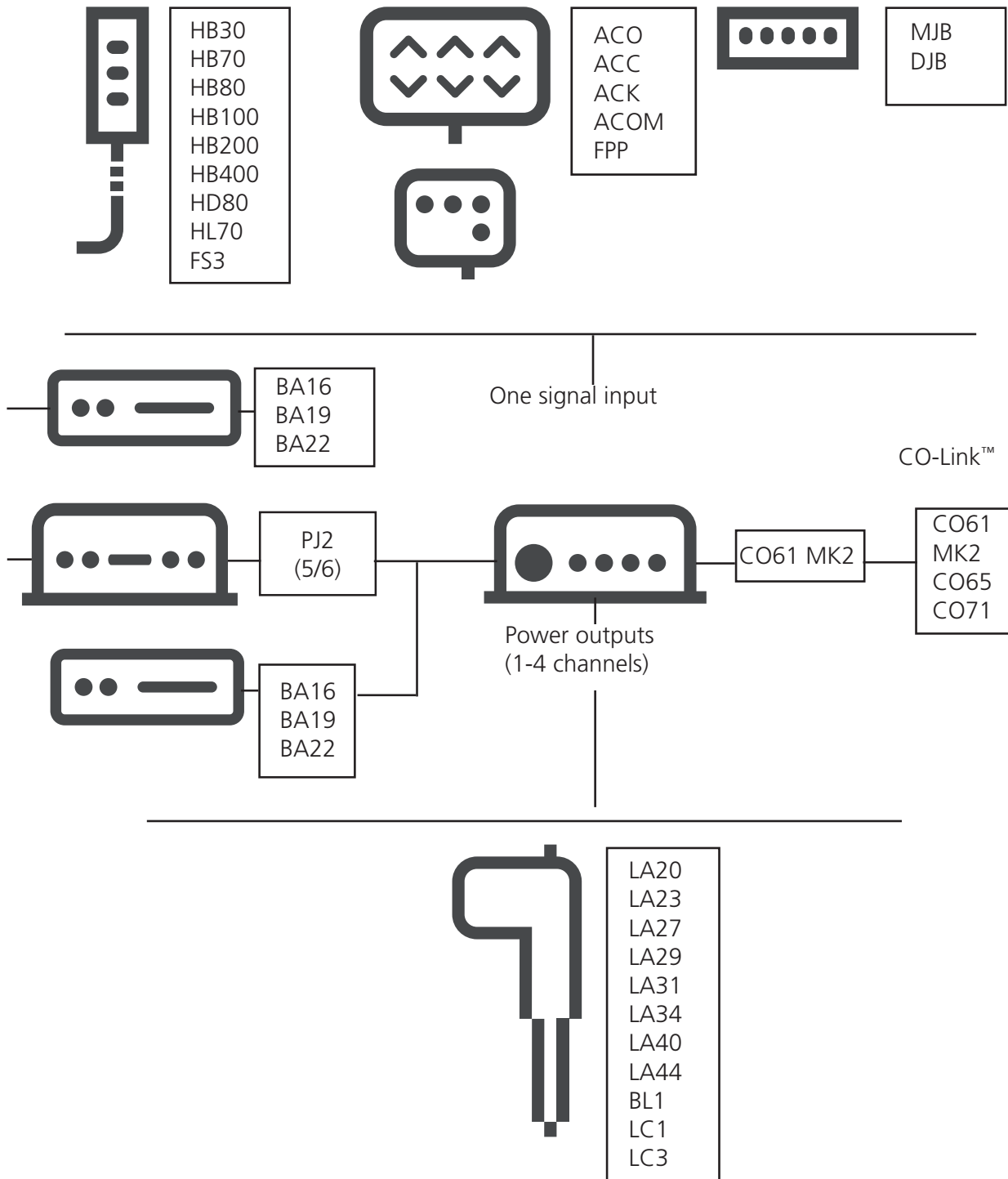
- IEC60601-1 edition 3.1
- ANSI/AAMI ES60601-1:2005/(R) 2012
- CSA CAN/CSA-C22.2 NO. 60601-1:14
- PSE Japan

Ordering example



No new projects must be started with 'old version' control boxes.
 Remember to order 4-pole cable for battery BA22 to control box - see cables chapter.

System overview



LED indicator



CO61 MK2 is equipped with a green LED for indication of mains power connected.

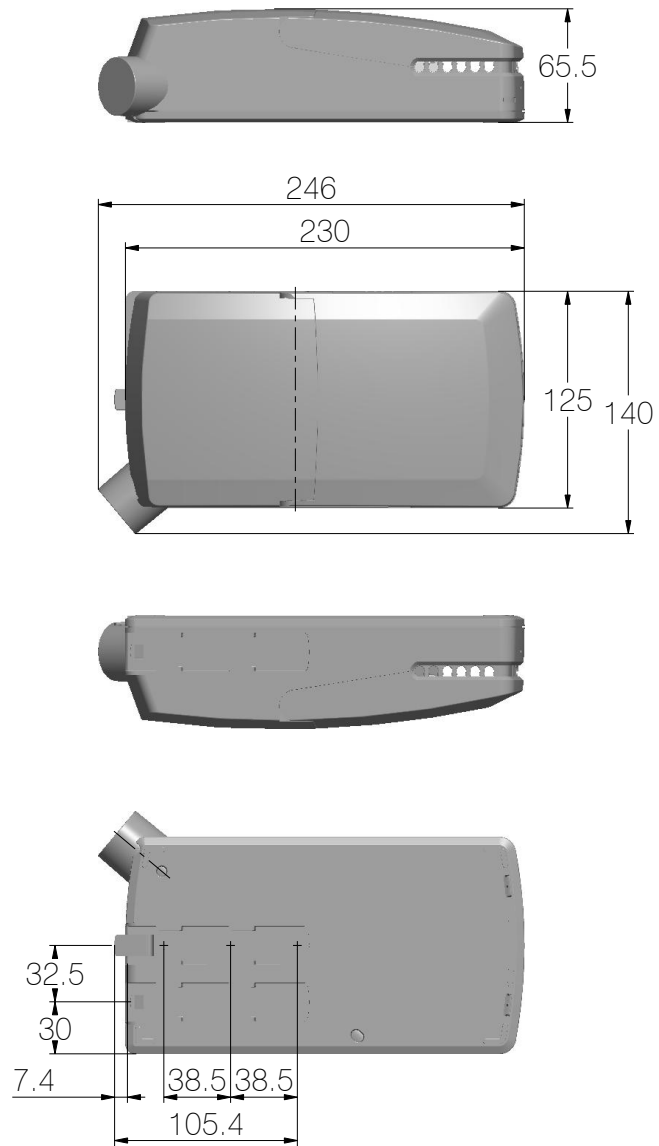
When the CO61 MK2 is connected to mains, the LED is green. Connected only to battery, the LED is off.

Acoustic signal functionality

The buzzer will make a warning, when a button on the hand control is pressed, and the battery state of charge is low.

The buzzer can also be activated by the control box to signal other conditions. This must be specified in the control box software.

Dimension drawing

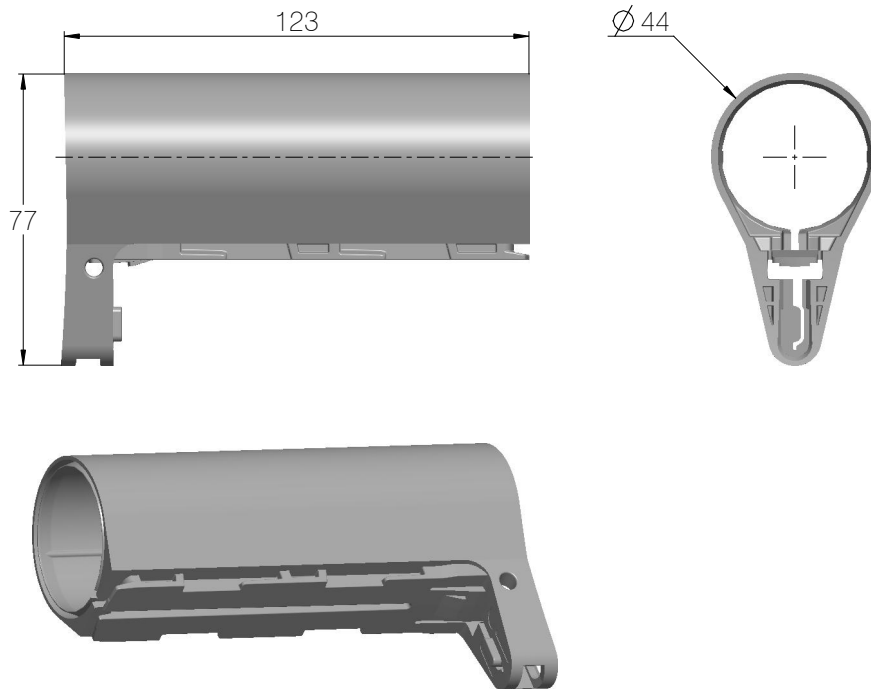


Drawing No.: 1014W4010

Mounting brackets

For mounting with LA40

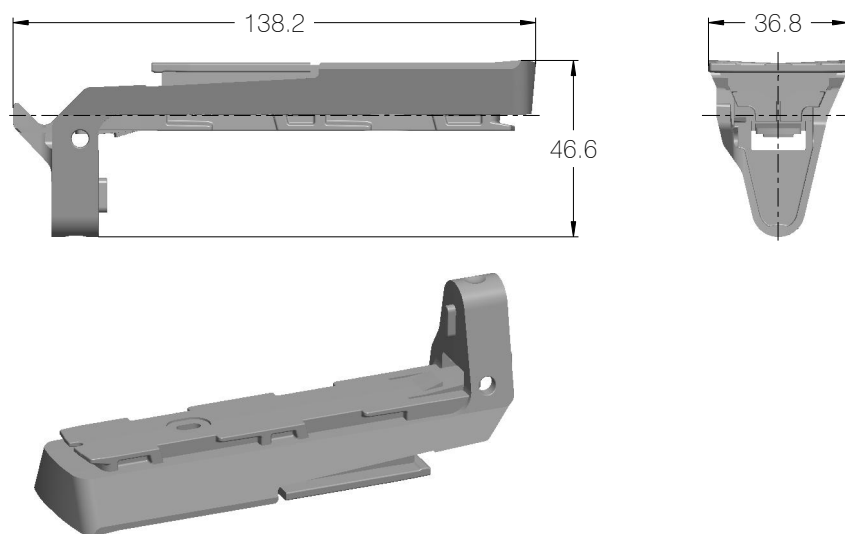
Article No.: 1015W1002



Drawing No.: 1015W4002

For mounting with LA31

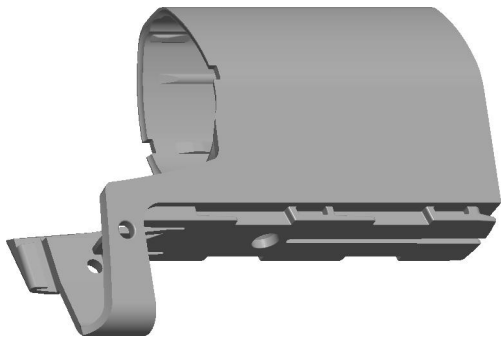
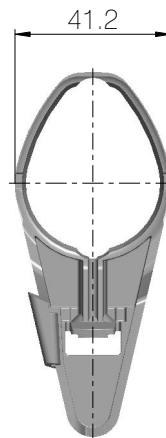
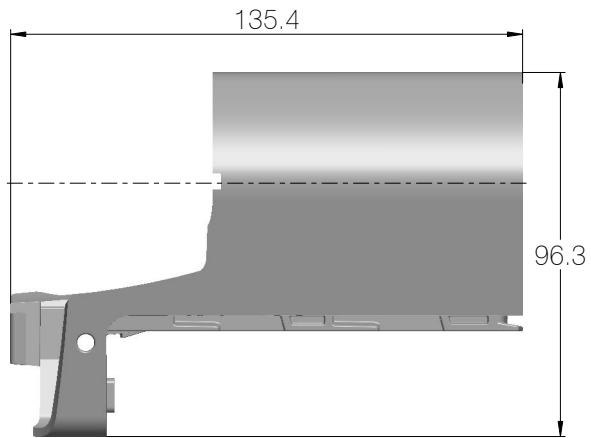
Article No.: 1015W1004



Drawing No.: 1015W4004

For mounting with LA27

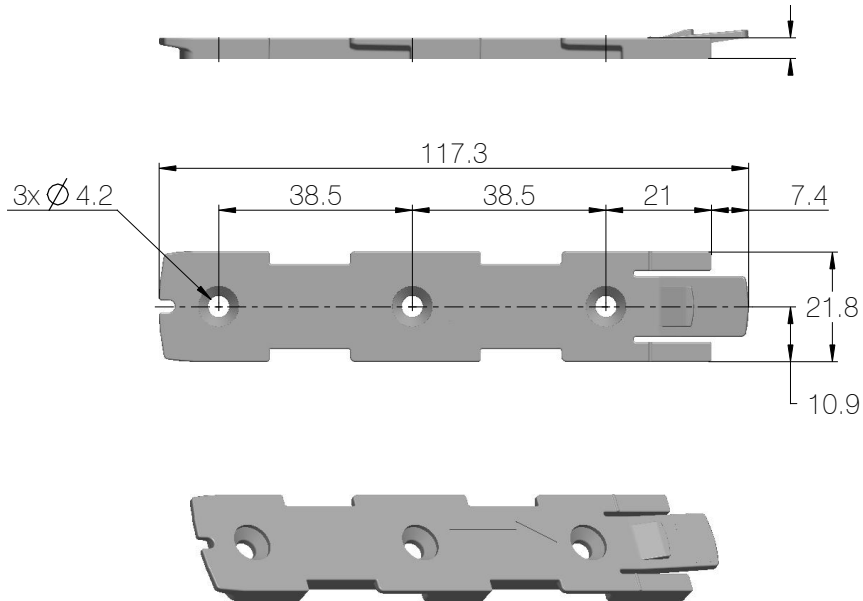
Article No.: 1015W9003



Drawing No: 1015W4003

Mounting bracket (frame flat)

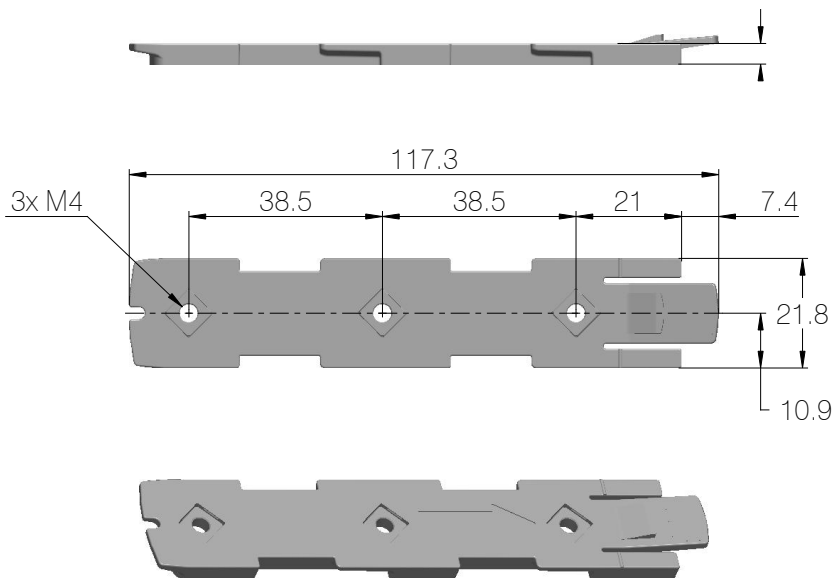
Article No. 1015W1001



Drawing No.: 1015W4001

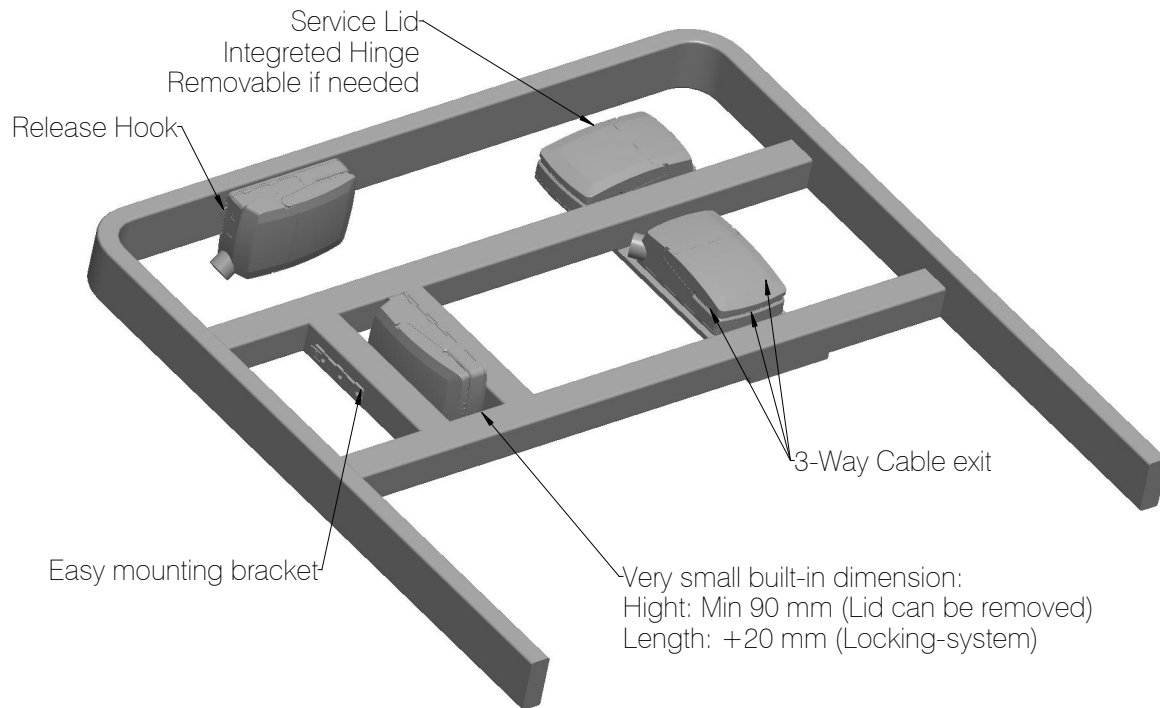
Mounting bracket (frame flat) w/M4 nuts

Article No. 1015W9009



Drawing No.: 1015W4009

Mounted on frame



Drawing No.: 1013W4008

It is recommended to mount the CO61 MK2 in a position that allows water to escape.

Recommended torque: 0.6Nm +/-0.1

The bracket can be mounted to the bed frame or any other application by following one of the following mounting procedures:

1. M6 nut to be placed in bracket and fixed with M6 bolt from the rear side
2. M5 machine screw with flat washer to be fixed through bracket with nut on the rear side
3. Self-tapping screw to be placed through bracket and onto the frame

Mounting of cables and cable lock

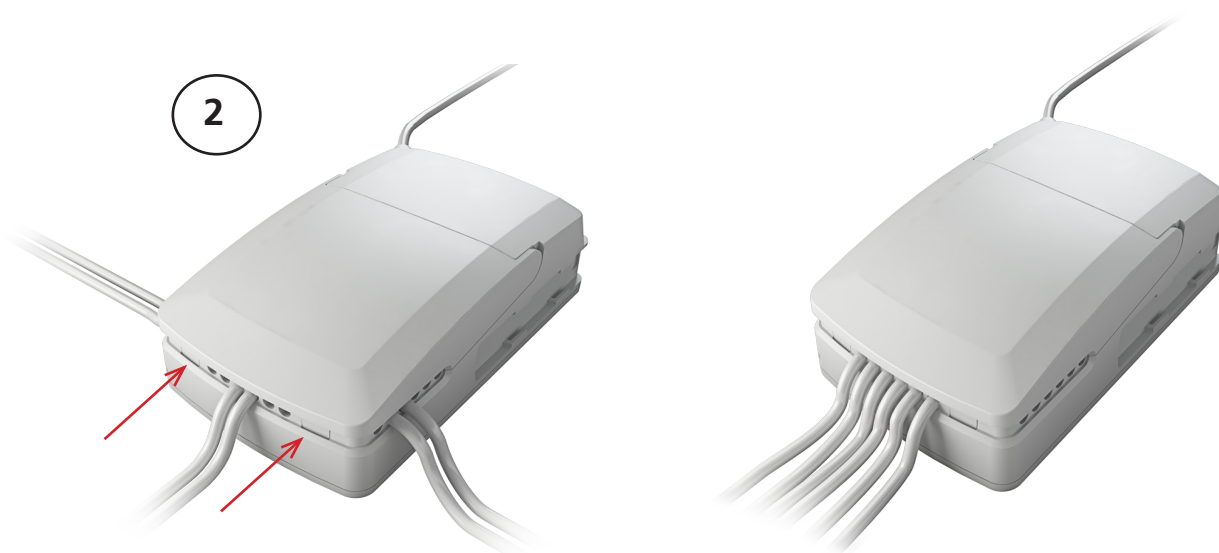
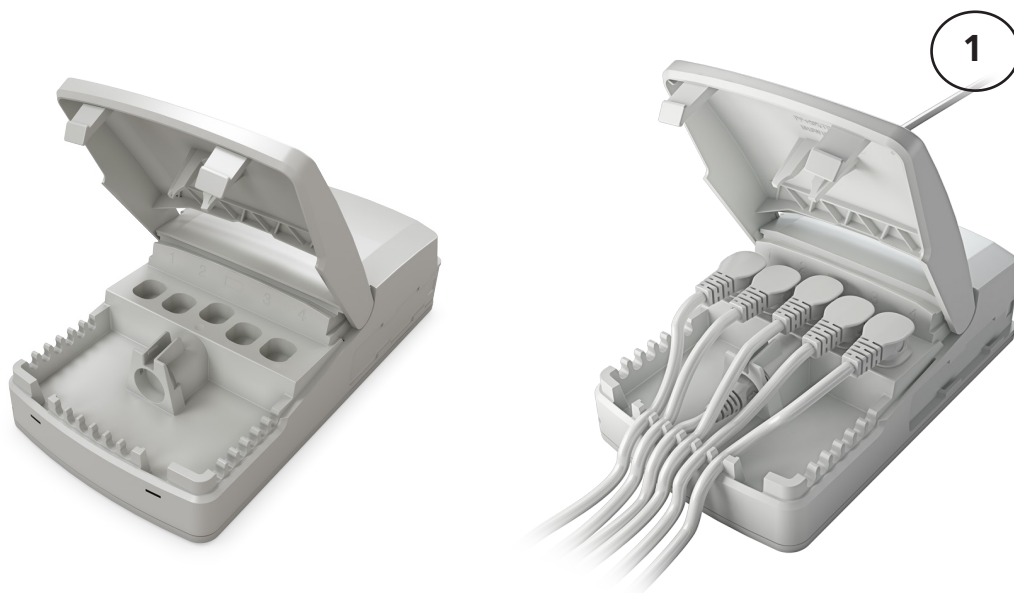
CO61 MK2 has a uniquely designed cable lid. The lid also works as an integrated cable lock when closed.

1. Mount cable plugs in control box
2. Close lid until lock snaps into place (see arrows)

To allow free access to the cables, the lid has a rest position when completely opened.

It is possible to remove the lid by lifting it a few degrees and pulling it away from the housing under tight mounting conditions.

Cable management



CO-Link™



Up to 8 channels and 2x200 W (or combinations of all CO-control boxes)

A CO-Link software makes it possible to link two CO61 MK2 control boxes (or combinations of all CO-control boxes) into a system with a primary and secondary control box allowing you to run up to 8 channels with 2x200 W.

All CO61 MK2 benefits and USPs including:

- 1 control – 2 x CO61 MK2s
- 8 channels
- 2 x 200 W
- Standard items
- 2 x 2.85 Ah battery backup – 2 x BA22

Contacts

FACTORIES

Denmark - Headquarters
LINAK A/S
Phone: +45 73 15 15 15
Fax: +45 74 45 80 48
Fax (Sales): +45 73 15 16 13
Web: www.linak.com

China
LINAK (Shenzhen) Actuator Systems, Ltd.
Phone: +86 755 8610 6656
Phone: +86 755 8610 6990
Web: www.linak.cn

Slovakia
LINAK Slovakia s.r.o.
Phone: +421 51 7563 444
Web: www.linak.sk

Thailand
LINAK APAC Ltd.
Phone: +66 33 265 400
Web: www.linak.com

USA
LINAK U.S. Inc.
Americas Headquarters
Phone: +1 502 253 5595
Fax: +1 502 253 5596
Web: www.linak-us.com
www.linak-latinamerica.com

SUBSIDIARIES

Australia
LINAK Australia Pty. Ltd
Phone: +61 3 8796 9777
Fax: +61 3 8796 9778
E-mail: sales@linak.com.au
Web: www.linak.com.au

Austria
LINAK Zweigniederlassung - Österreich (Wien)
Phone: +43 (1) 890 7446
Fax: +43 (1) 890 744615
E-mail: info@linak.de
Web: www.linak.at - www.linak.hu

Belgium
LINAK Actuator-Systems NV/SA
(Belgium & Luxembourg)
Phone: +32 (0)9 230 01 09
E-mail: beinfo@linak.be
Web: www.linak.be - www.fr.linak.be

Brazil
LINAK Do Brasil Comércio De Atuadores Ltda.
Phone: +55 (11) 2832 7070
Fax: +55 (11) 2832 7060
E-mail: info@linak.com.br
Web: www.linak.com.br

Canada
LINAK Canada Inc.
Phone: +1 502 253 5595
Fax: +1 416 255 7720
E-mail: info@linak.ca
Web: www.linak-us.com

Czech Republic
LINAK C&S s.r.o.
Phone: +42 058 174 1814
Fax: +42 058 170 2452
E-mail: info@linak.cz
Web: www.linak.cz - www.linak.sk

Denmark - International
LINAK International
Phone: +45 73 15 15 15
E-mail: info@linak.com
Web: www.linak.com

Denmark - Sales
LINAK Danmark A/S
Phone: +45 86 80 36 11
Fax: +45 86 82 90 51
E-mail: linak@linak-silkeborg.dk
Web: www.linak.dk

Finland
LINAK OY
Phone: +358 10 841 8700
E-mail: linak@linak.fi
Web: www.linak.fi

France
LINAK France E.U.R.L.
Phone: +33 (0) 2 41 36 34 34
Fax: +33 (0) 2 41 36 35 00
E-mail: linak@linak.fr
Web: www.linak.fr

Germany
LINAK GmbH
Phone: +49 6043 9655 0
Fax: +49 6043 9655 60
E-mail: info@linak.de
Web: www.linak.de

India
LINAK A/S India Liaison Office
Phone: +91 120 4531797
Fax: +91 120 4786428
E-mail: info@linak.in
Web: www.linak.in

Ireland
LINAK UK Limited (Ireland)
Phone: +44 (0)121 544 2211
Fax: +44 (0)121 544 2552
+44 (0)796 855 1606 (UK Mobile)
+35 387 634 6554 (Rep.of Ireland Mobile)
E-mail: sales@linak.co.uk
Web: www.linak.co.uk

Italy
LINAK ITALIA S.r.l.
Phone: +39 02 48 46 33 66
Fax: +39 02 48 46 82 52
E-mail: info@linak.it
Web: www.linak.it

Japan

LINAK K.K.
Phone: 81-45-533-0802
Fax: 81-45-533-0803
E-mail: linak@linak.jp
Web: www.linak.jp

Malaysia
LINAK Actuators Sdn. Bhd.
Phone: +60 4 210 6500
Fax: +60 4 226 8901
E-mail: info@linak-asia.com
Web: www.linak.my

Netherlands
LINAK Actuator-Systems B.V.
Phone: +31 76 5 42 44 40 /
+31 76 200 11 10
E-mail: info@linak.nl
Web: www.linak.nl

New Zealand
LINAK New Zealand Ltd
Phone: +64 9580 2071
Fax: +64 9580 2072
E-mail: nzsales@linak.com.au
Web: www.linak.com.au

Norway
LINAK Norge AS
Phone: +47 32 82 90 90
E-mail: info@linak.no
Web: www.linak.no

Poland
LINAK Polska
LINAK Danmark A/S (Spółka Akcyjna)
Phone: +48 22 295 09 70 /
+48 22 295 09 71
E-mail: info@linak.pl
Web: www.linak.pl

Republic of Korea
LINAK Korea Ltd.
Phone: +82 2 6231 1515
Fax: +82 2 6231 1516
E-mail: info@linak.kr
Web: www.linak.kr

Slovakia
LINAK Slovakia S.R.O.
Phone: +421 51 7563 444
Web: www.linak.sk

Spain
LINAK Actuadores, S.L.u
Phone: +34 93 588 27 77
Fax: +34 93 588 27 85
E-mail: esma@linak.es
Web: www.linak.es

Sweden
LINAK Scandinavia AB
Phone: +46 8 732 20 00
Fax: +46 8 732 20 50
E-mail: info@linak.se
Web: www.linak.se

Switzerland
LINAK AG
Phone: +41 43 388 31 88
Fax: +41 43 388 31 87
E-mail: info@linak.ch
Web: www.linak.ch - www.fr.linak.ch
www.it.linak.ch

Taiwan
LINAK (Shenzhen) Actuator systems Ltd.
Taiwan Representative office
Phone: +886 2 272 90068
Fax: +886 2 272 90096
E-mail: sales@linak.com.tw
Web: www.linak.com.tw

Turkey
LINAK İth. İhr. San. ve Tic. A.Ş.
Phone: +90 312 4726338
Fax: +90 312 4726635
E-mail: info@linak.com.tr
Web: www.linak.com.tr

United Kingdom
LINAK UK Limited
Phone: +44 (0)121 544 2211
Fax: +44 (0)121 544 2552
E-mail: sales@linak.co.uk
Web: www.linak.co.uk

Argentina
Novotec Argentina SRL
Phone: 011-4303-8989 / 8900
Fax: 011-4032-0184
E-mail: info@novotecargentina.com
Web: www.novotecargentina.com

Colombia
MEM Ltda
Phone: +[57] (1) 334-7666
Fax: +[57] (1) 282-1684
E-mail: servicioalcliente@memltda.com.co
Web: www.mem.net.co

India
Mechatronics Control Equipments India Pvt Ltd
Phone: +91-44-28558484, 85
E-mail: bala@mechatronicscontrol.com
Web: www.mechatronicscontrol.com

Indonesia
PT. Himalaya Everest Jaya
Phone: +6 221 544 8956 /+6 221 544 8965
Fax: +6 221 619 1925
Fax (Sales): +6 221 619 4658
E-mail: hejplastic-div@centrin.net.id
Web: www.hej.co.id

Israel
NetivTech LTD
Phone: +972 55-2266-535
Fax: +972 2-9900-560
Email: info@NetivTech.com
Web: www.netivtech.com

Singapore
Servo Dynamics Pte Ltd
Phone: +65 6844 0288
Fax: +65 6844 0070
E-mail: servodynamics@servo.com.sg

South Africa
Industrial Specialised Applications CC
Phone: +27 011 466 0346
E-mail: gartht@isagroup.co.za
Web: www.isaza.co.za

United Arab Emirates
Mechatronics
Phone: +971 4 267 4311
Fax: +971 4 267 4312
E-mail: mechtron@emirates.net.ae

DISTRIBUTORS

Terms of use

LINAK® takes great care in providing accurate and up-to-date information on its products. However, the user is responsible for determining the suitability of LINAK products for a specific application. Due to continual development, LINAK products are subject to frequent modifications and changes. LINAK reserves the rights to conduct modifications, updates, and changes without any prior notice. For the same reason, LINAK cannot guarantee the correctness and actual status of imprinted information on its products.

LINAK uses its best efforts to fulfil orders. However, for the reasons mentioned above, LINAK cannot guarantee availability of any particular product at any given time. LINAK reserves the right to discontinue the sale of any product displayed on its website or listed in its catalogues or in other written material created and produced by LINAK, LINAK subsidiaries, or LINAK affiliates. All sales are subject to the 'Standard Terms of Sale and Delivery for LINAK A/S' available on LINAK websites. LINAK and the LINAK logotype are registered trademarks of LINAK A/S. All rights reserved.



WE IMPROVE YOUR LIFE