

Control Box C071

Data Sheet



Contents

Introduction	3
Ordering example	7
System overview	8
LED indicator	9
Acoustic signal functionality	9
Dimension drawing	10
Mounting brackets	11
For mounting with LA40	11
For mounting with LA31	11
For mounting with LA27	12
Mounting bracket (frame flat)	13
Mounting bracket (frame flat) w/M4 nuts	13
Mounted on frame	14
Mounting of cables and cable lock.....	15
Cable management	15
CO-Link™	16
Contacts	17

Introduction



The LINAK OpenBus™ control box CO71 offers a consolidated range of unprecedented features – all utilising standardised technology, interfaces and compatibility.

The CO71 for LINAK actuators is intended for the control of, for example, hospital bed movement.

Equipped with 350 W SMPS, Bluetooth®, excellent and well thought-out cable management as well as multiple easy mounting options, this control box opens up a wide range of application possibilities for the provident hospital and care products manufacturer.

With the CO71, FET, IPX6 Washable DURA™ protection and a battery port, are all standard options. The entire product platform supports the LINAK principle 'One World – One box' – worldwide operable and applicable.

Features and options

Power supply	Universal, SMPS (Switch Mode Power Supply) 350 W power output 100-240 VAC, 50/60 Hz -15% / +10%
Mains indicator	Yes - Green LED (mains connected)
Actuator interface	4 channel 6-pin Mini-Fit
Hand control interface	1 port 10-pin modular plug
CO-Link™	Link of primary and secondary CO71 - up to 8 channels and combination of all control boxes
Bluetooth®	Yes
Battery interface	1 port 4-pin Mini-Fit (charging current 300 mA when no actuators are running)
Standby power	Approx. 0.5 W (120/230 V)
Colour	Light grey (RAL 7035)
Output short-circuit protected	Yes
Control concept	FET (no relay noise)
Power Supply Circuit Method	Full bridge
Duty cycle	10 % - 2/18 min. on/off continuous use. Maximum power is 350 W for 80 seconds and 175 W for 40 seconds at 25 °C.
Weight	Low weight 0.8 kg
Actuator compatibility	Actuators with signal, feedback by Hall and potentiometer
Battery charger	Battery input available No charger, but supports battery with internal charger
Charging indicator	Supported by using BA22
Acoustic warning signal	Internal buzzer
Battery alarm	Integrated or via BA19/BA22
PCP version	PCP 2.0
EOP	Yes
IP-Rating	IPX6 Washable DURA™
Operation	True parallel (Hall feedback)

Max. current	10 A/CH, 2/18 min. Max. 14 A/CH in a limited time period
Accessories	OpenBus™ standard
Power management	High speed at low loads and/or high loads at a lower speed
Overload protection	The CO71 can reduce the output voltages to prevent overload
Safety system	Thermally protected Short-circuit protected Hot-plugging protected
Start/stop	Soft start/ direct stop
Protection class	Class 2 Class 1 is possible with pigtail on mains cable
Cable lock	Integrated in lid
Mounting	Compatible with a wide range of mounting brackets

Usage

Operating temperature	+5 °C to +40 °C
Storage temperature	-10 °C to +50 °C
Relative humidity	20% - 80% - non-condensing
Atmospheric pressure	700 to 1060 hPa
Meters above sea level	Max. 3000 meters

Mains supply grid should be limited to the highest prospective short circuit current of 1,500 A.

Demands to mains supply safety for the application in accordance with IEC 60601-1 ed. 3.2, § 8.11.5

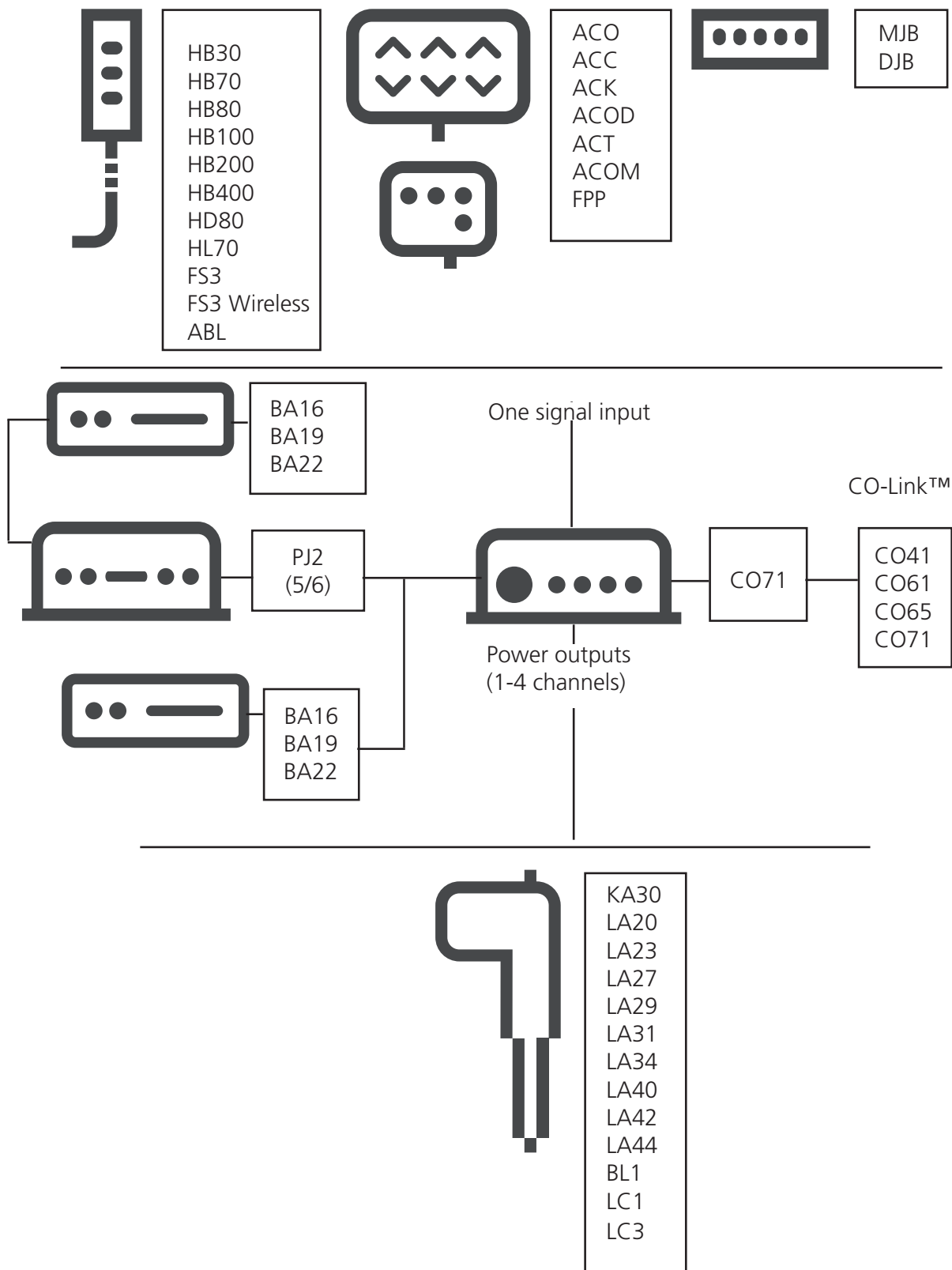
Approvals	- IEC60601-1 edition 3.1 - ANSI/AAMI ES60601-1:2005/(R) 2012 - CSA CAN/CSA-C22.2 NO. 60601-1:14 - PSE Japan
-----------	--

Ordering example

Product type	C	C = Control box
Hand control input	0	0 = OpenBus interface
Control box family	7	7 = CO71
Colour	+	+ = RAL7035 light grey
H-bridge	1	1 = Full bridge
IP degree	9	9 = IPX6 Washable DURA™ 6 = IPX6
Number of channels	4	4 = 4 Channels
Maximum output power	3	3 = 350 W (CO71)
Input voltage	1	1 = 100-240 VAC +10 % / -15 %
Software	T	T = No application software X = Special customer software
Wireless communication	2	2 = Bluetooth® Gen1
Appliance Protection Class	9	9 = Class II
Option	2	2 = PCP 2.0
Cable(s)	0	0 = Socket W/O Ground
Not Used	0	0 = Not Used

Chosen item number: **CO7+19431T29200**

System overview



LED indicator



CO71 is equipped with a green LED for indication of mains power connected.

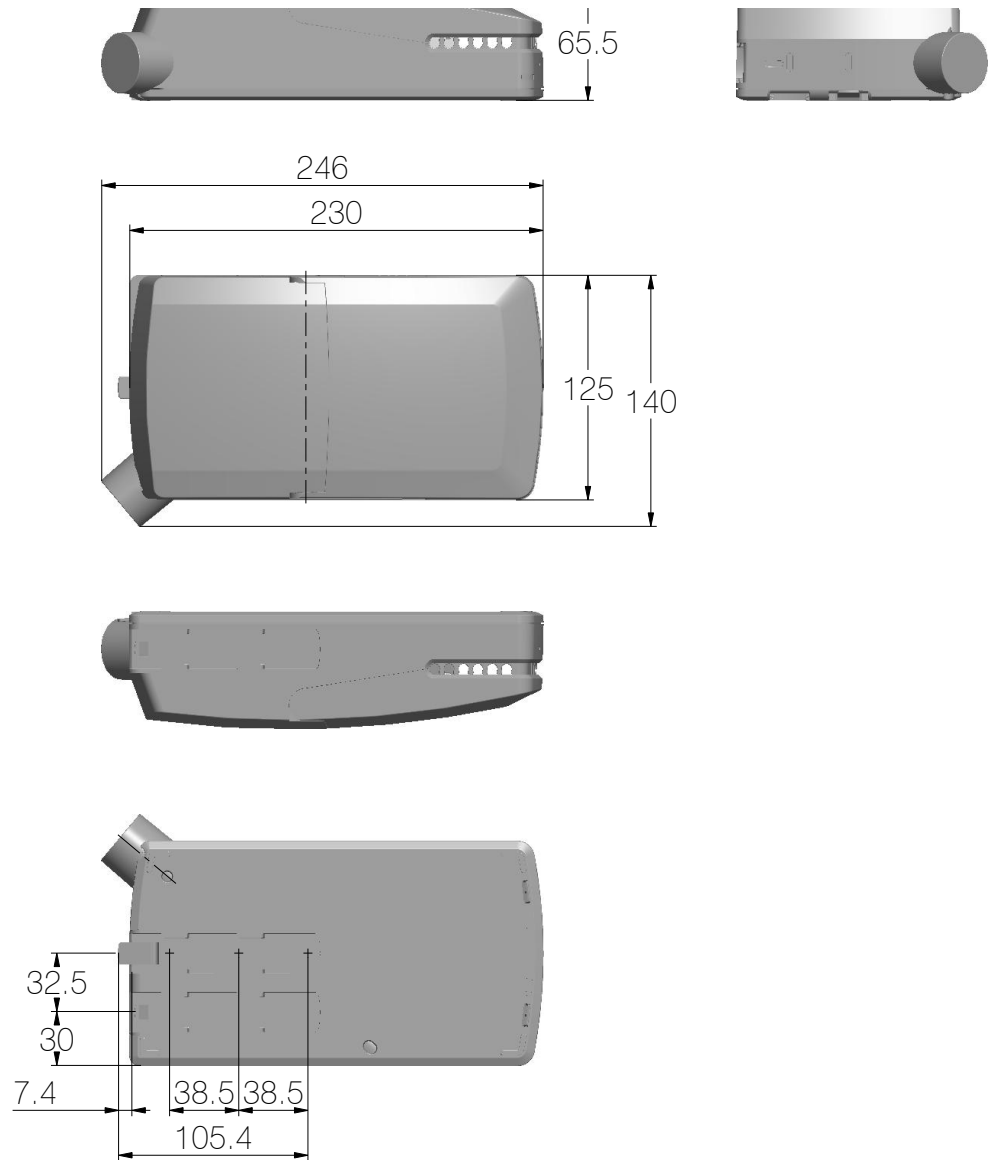
When the CO71 is connected to mains, the LED is green. Connected only to battery, the LED is off.

Acoustic signal functionality

The buzzer will make a warning, when a button on the hand control is pressed, and the battery state of charge is low.

The buzzer can also be activated by the control box to signal other conditions. This must be specified in the control box software.

Dimension drawing

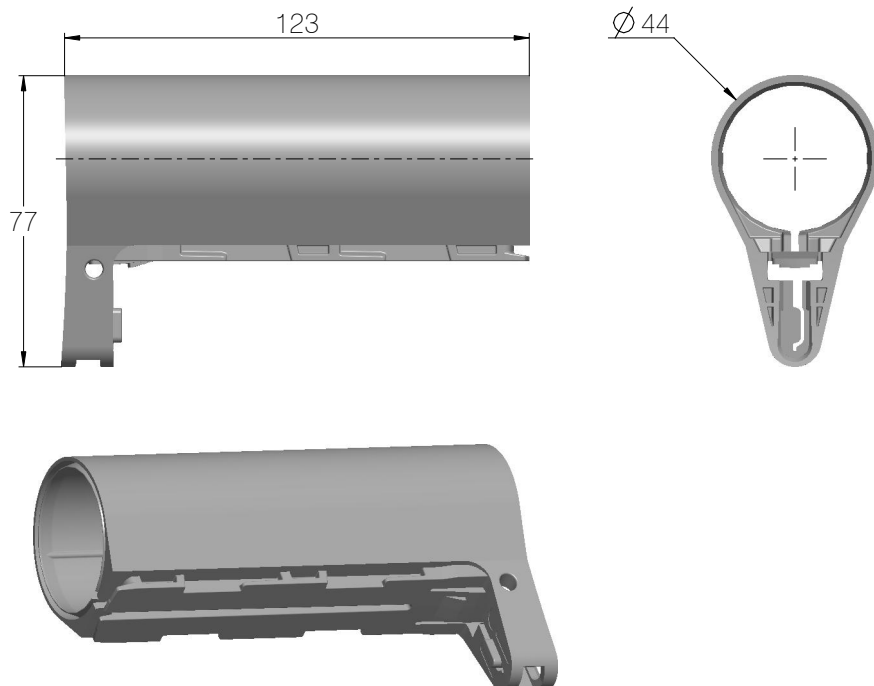


Drawing No.: 1014W4010

Mounting brackets

For mounting with LA40

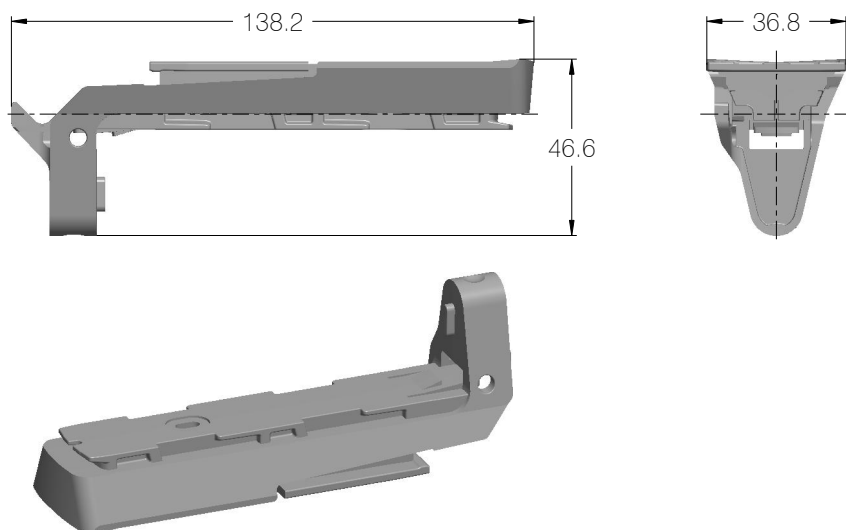
Article No.: 1015W1002



Drawing No.: 1015W4002

For mounting with LA31

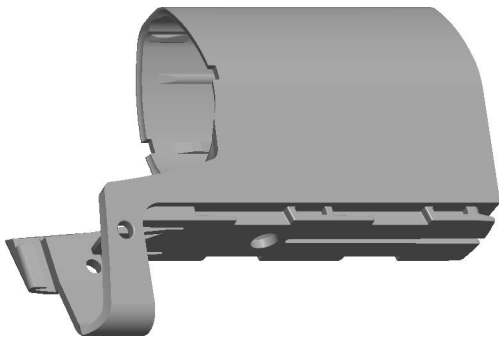
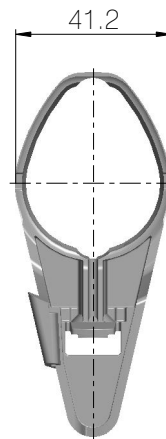
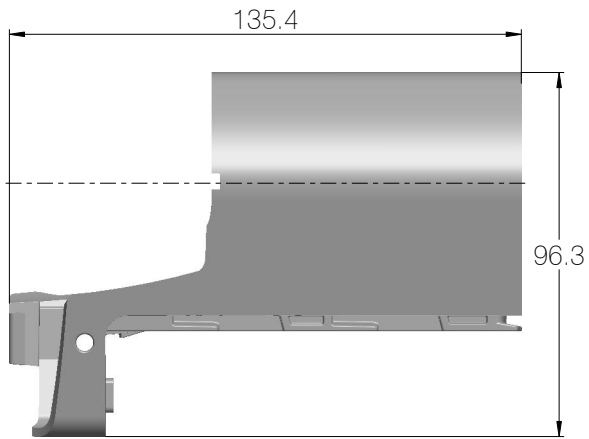
Article No.: 1015W1004



Drawing No.: 1015W4004

For mounting with LA27

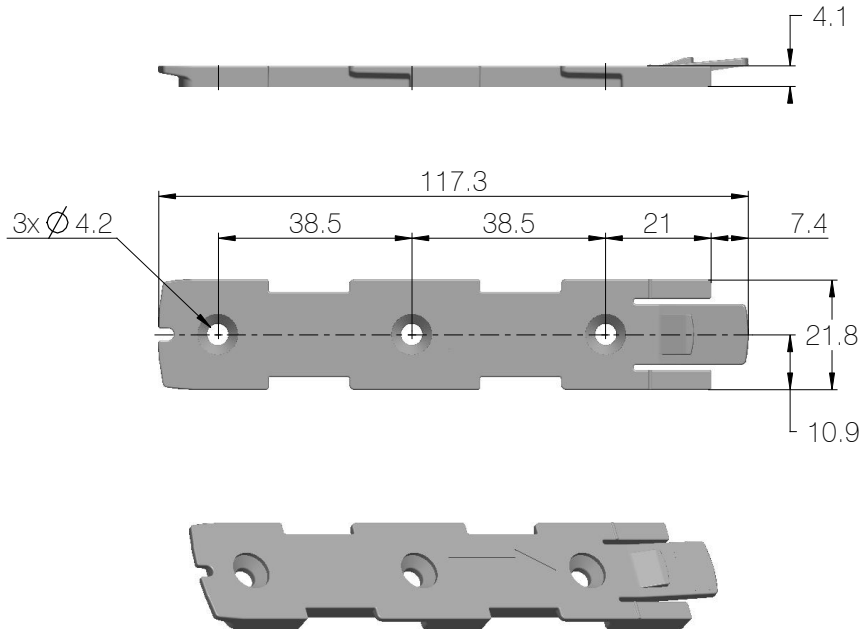
Article No.: 1015W9003



Drawing No: 1015W4003

Mounting bracket (frame flat)

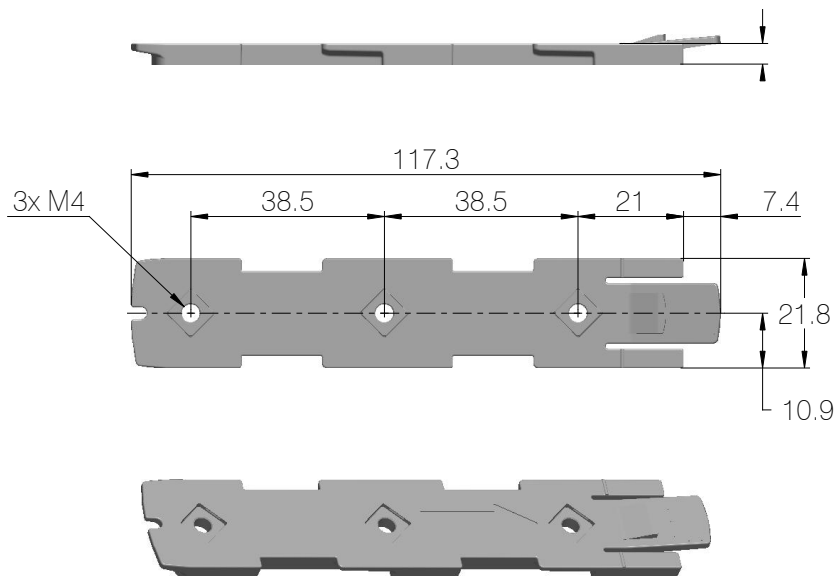
Article No. 1015W1001



Drawing No.: 1015W4001

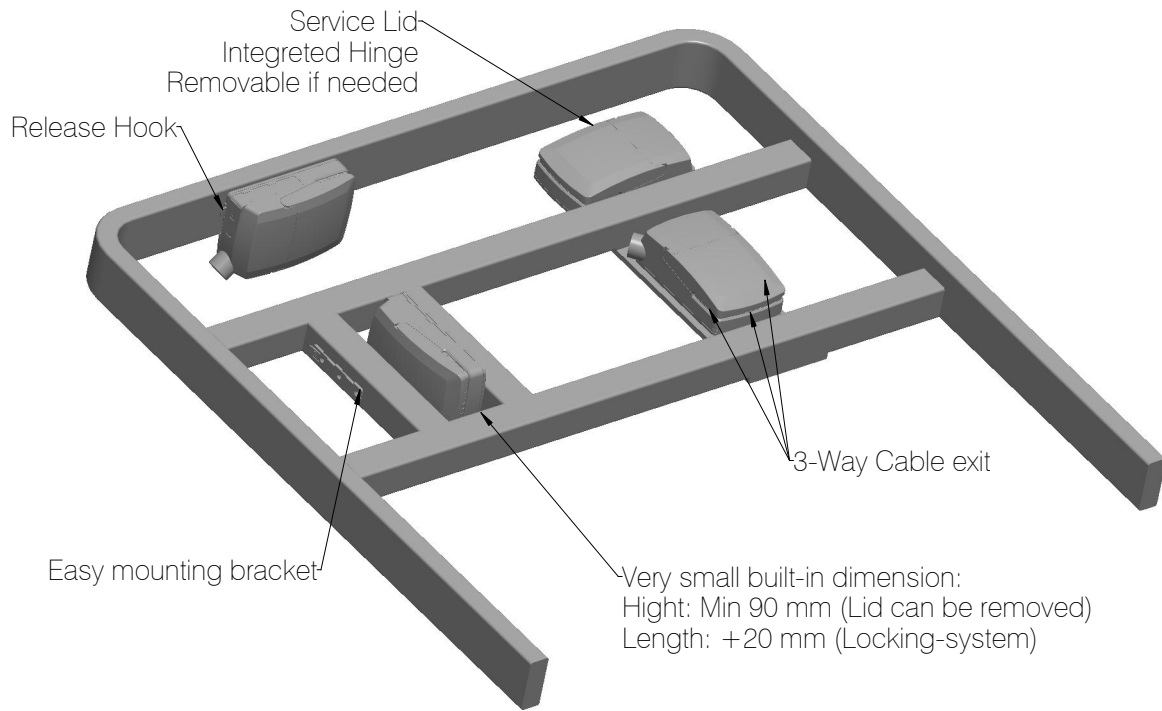
Mounting bracket (frame flat) w/M4 nuts

Article No. 1015W9009



Drawing No.: 1015W4009

Mounted on frame



Drawing No.: 1013W4008

Mounting of cables and cable lock

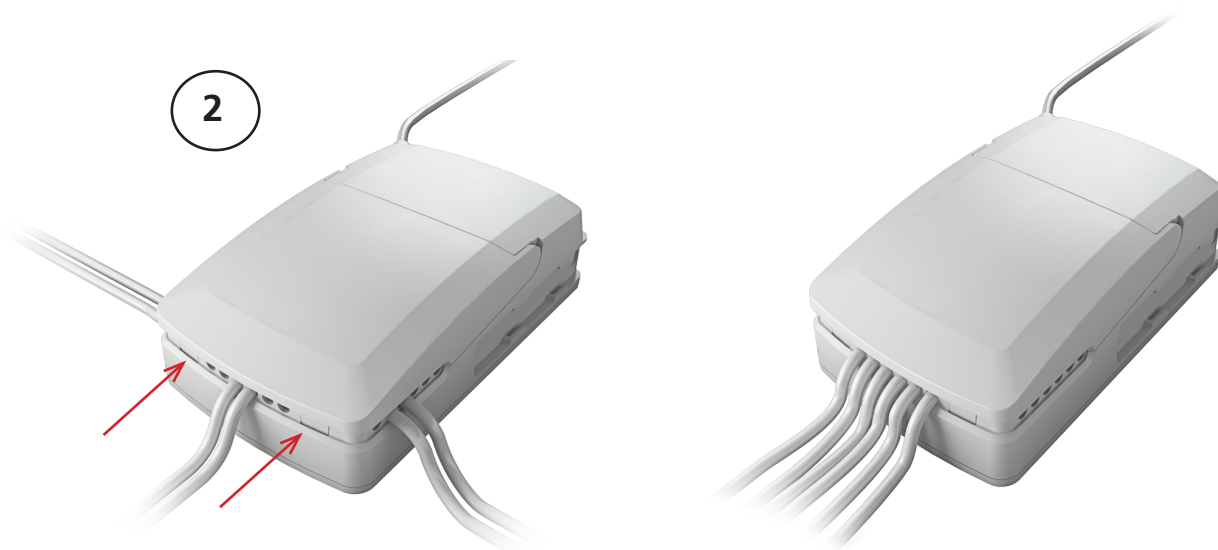
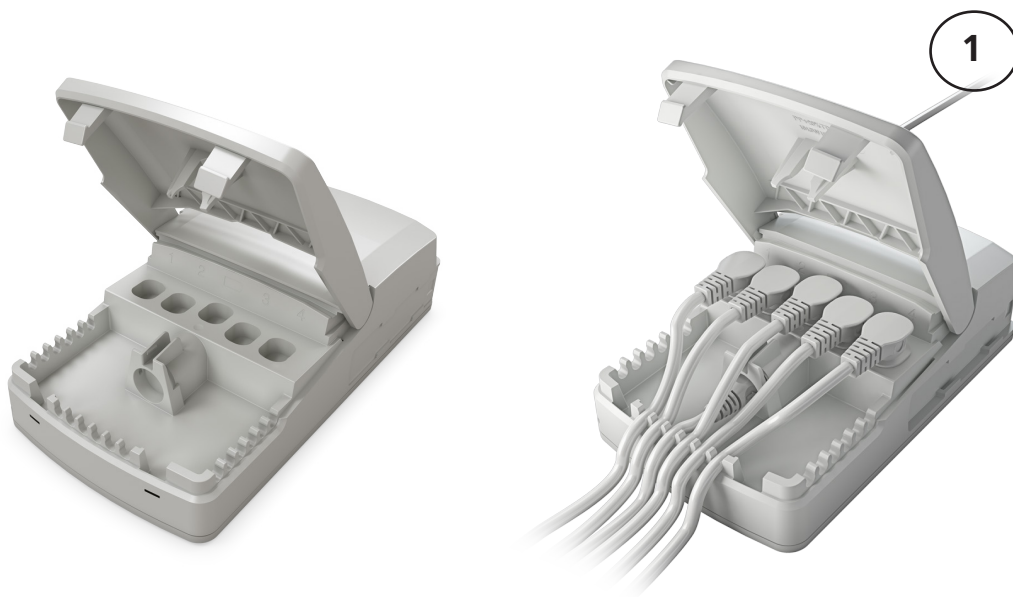
CO71 has a uniquely designed cable lid. The lid also works as an integrated cable lock when closed.

1. Mount cable plugs in control box
2. Close lid until lock snaps into place (see arrows)

To allow free access to the cables, the lid has a rest position when completely opened.

It is possible to remove the lid by lifting it a few degrees and pulling it away from the housing under tight mounting conditions.

Cable management



CO-Link™



Up to 8 channels and 2x350 W (or combinations of all CO-control boxes).

A CO-Link software makes it possible to link two CO71 control boxes (or combinations of all CO-control boxes) into a system with a primary and secondary control box allowing you to run up to 8 channels with 2x350 W.

All CO71 benefits and USPs including:

- 1 control – 2 x CO71
- 8 channels
- 2 x 350 W
- Standard items
- 2 x 2.85 Ah battery backup – 2 x BA22

Contacts

FACTORIES

Denmark - Headquarters
 LINAK A/S
 Phone: +45 73 15 15 15
 Fax: +45 74 45 80 48
 Fax (Sales): +45 73 15 16 13
 Web: www.linak.com

China
 LINAK (Shenzhen) Actuator Systems, Ltd.
 Phone: +86 755 8610 6656
 Phone: +86 755 8610 6990
 Web: www.linak.cn

Slovakia
 LINAK Slovakia s.r.o.
 Phone: +421 51 7563 444
 Web: www.linak.sk

Thailand
 LINAK APAC Ltd.
 Phone: +66 33 265 400
 Web: www.linak.com

USA
 LINAK U.S. Inc.
 Americas Headquarters
 Phone: +1 502 253 5595
 Fax: +1 502 253 5596
 Web: www.linak-us.com
 www.linak-latinamerica.com

SUBSIDIARIES

Australia
 LINAK Australia Pty. Ltd
 Phone: +61 3 8796 9777
 Fax: +61 3 8796 9778
 E-mail: sales@linak.com.au
 Web: www.linak.com.au

Austria
 LINAK Zweigniederlassung - Österreich (Wien)
 Phone: +43 (1) 890 7446
 Fax: +43 (1) 890 744615
 E-mail: info@linak.de
 Web: www.linak.at - www.linak.hu

Belgium
 LINAK Actuator-Systems NV/SA
 (Belgium & Luxembourg)
 Phone: +32 (0)9 230 01 09
 E-mail: beinfo@linak.be
 Web: www.linak.be - www.fr.linak.be

Brazil
 LINAK Do Brasil Comércio De Atuadores Ltda.
 Phone: +55 (11) 2832 7070
 Fax: +55 (11) 2832 7060
 E-mail: info@linak.com.br
 Web: www.linak.com.br

Canada
 LINAK Canada Inc.
 Phone: +1 502 253 5595
 Fax: +1 416 255 7720
 E-mail: info@linak.ca
 Web: www.linak-us.com

Czech Republic
 LINAK C&S s.r.o.
 Phone: +42 058 174 1814
 Fax: +42 058 170 2452
 E-mail: info@linak.cz
 Web: www.linak.cz - www.linak.sk

Denmark - International
 LINAK International
 Phone: +45 73 15 15 15
 E-mail: info@linak.com
 Web: www.linak.com

Denmark - Sales
 LINAK Danmark A/S
 Phone: +45 86 80 36 11
 Fax: +45 86 82 90 51
 E-mail: linak@linak-silkeborg.dk
 Web: www.linak.dk

Finland
 LINAK OY
 Phone: +358 10 841 8700
 E-mail: linak@linak.fi
 Web: www.linak.fi

France
 LINAK France E.U.R.L
 Phone: +33 (0) 2 41 36 34 34
 Fax: +33 (0) 2 41 36 35 00
 E-mail: linak@linak.fr
 Web: www.linak.fr

Germany
 LINAK GmbH
 Phone: +49 6043 9655 0
 Fax: +49 6043 9655 60
 E-mail: info@linak.de
 Web: www.linak.de

India
 LINAK A/S India Liaison Office
 Phone: +91 120 4531797
 Fax: +91 120 4786428
 E-mail: info@linak.in
 Web: www.linak.in

Ireland
 LINAK UK Limited (Ireland)
 Phone: +44 (0)121 544 2211
 Fax: +44 (0)121 544 2552
 +44 (0)796 855 1606 (UK Mobile)
 +35 387 634 6554 (Rep.of Ireland Mobile)
 E-mail: sales@linak.co.uk
 Web: www.linak.co.uk

Italy
 LINAK ITALIA S.r.l.
 Phone: +39 02 48 46 33 66
 Fax: +39 02 48 46 82 52
 E-mail: info@linak.it
 Web: www.linak.it

Japan
 LINAK K.K.
 Phone: 81-45-533-0802
 Fax: 81-45-533-0803
 E-mail: linak@linak.jp
 Web: www.linak.jp

Malaysia
 LINAK Actuators Sdn. Bhd.
 Phone: +60 4 210 6500
 Fax: +60 4 226 8901
 E-mail: info@linak-asia.com
 Web: www.linak.my

Netherlands
 LINAK Actuator-Systems B.V.
 Phone: +31 76 5 42 44 40 /
 +31 76 200 11 10
 E-mail: info@linak.nl
 Web: www.linak.nl

New Zealand
 LINAK New Zealand Ltd
 Phone: +64 9580 2071
 Fax: +64 9580 2072
 E-mail: nzsales@linak.com.au
 Web: www.linak.com.au

Norway
 LINAK Norge AS
 Phone: +47 32 82 90 90
 E-mail: info@linak.no
 Web: www.linak.no

Poland
 LINAK Polska
 LINAK Danmark A/S (Spółka Akcyjna)
 Phone: +48 22 295 09 70 /
 +48 22 295 09 71
 E-mail: info@linak.pl
 Web: www.linak.pl

Republic of Korea
 LINAK Korea Ltd.
 Phone: +82 2 6231 1515
 Fax: +82 2 6231 1516
 E-mail: info@linak.kr
 Web: www.linak.kr

Slovakia
 LINAK Slovakia S.R.O.
 Phone: +421 51 7563 444
 Web: www.linak.sk

Spain
 LINAK Actuadores, S.L.u
 Phone: +34 93 588 27 77
 Fax: +34 93 588 27 85
 E-mail: esma@linak.es
 Web: www.linak.es

Sweden
 LINAK Scandinavia AB
 Phone: +46 8 732 20 00
 Fax: +46 8 732 20 50
 E-mail: info@linak.se
 Web: www.linak.se

Switzerland
 LINAK AG
 Phone: +41 43 388 31 88
 Fax: +41 43 388 31 87
 E-mail: info@linak.ch
 Web: www.linak.ch - www.fr.linak.ch
 www.it.linak.ch

Taiwan
 LINAK (Shenzhen) Actuator systems Ltd.
 Taiwan Representative office
 Phone: +886 2 272 90068
 Fax: +886 2 272 90096
 E-mail: sales@linak.com.tw
 Web: www.linak.com.tw

Turkey
 LINAK İth. İhr. San. ve Tic. A.Ş.
 Phone: +90 312 4726338
 Fax: +90 312 4726635
 E-mail: info@linak.com.tr
 Web: www.linak.com.tr

United Kingdom
 LINAK UK Limited
 Phone: +44 (0)121 544 2211
 Fax: +44 (0)121 544 2552
 E-mail: sales@linak.co.uk
 Web: www.linak.co.uk

DISTRIBUTORS

Argentina
 Novotec Argentina SRL
 Phone: 011-4303-8989 / 8900
 Fax: 011-4032-0184
 E-mail: info@novotecargentina.com
 Web: www.novotecargentina.com

Colombia
 MEM Ltda
 Phone: +[57] (1) 334-7666
 Fax: +[57] (1) 282-1684
 E-mail: servicioalcliente@memltda.com.co
 Web: www.mem.net.co

India
 Mechatronics Control Equipments India Pvt Ltd
 Phone: +91-44-28558484, 85
 E-mail: bala@mechatronicscontrol.com
 Web: www.mechatronicscontrol.com

Indonesia
 PT. Himalaya Everest Jaya
 Phone: +6 221 544 8956 /+6 221 544 8965
 Fax: +6 221 619 1925
 Fax (Sales): +6 221 619 4658
 E-mail: hejplastic-div@centrin.net.id
 Web: www.hej.co.id

Israel
 NetivTech LTD
 Phone: +972 55-2266-535
 Fax: +972 2-9900-560
 Email: info@NetivTech.com
 Web: www.netivtech.com

Singapore
 Servo Dynamics Pte Ltd
 Phone: +65 6844 0288
 Fax: +65 6844 0070
 E-mail: servodynamics@servo.com.sg

South Africa
 Industrial Specialised Applications CC
 Phone: +27 011 466 0346
 E-mail: gartht@isagroup.co.za
 Web: www.isaza.co.za

United Arab Emirates
 Mechatronics
 Phone: +971 4 267 4311
 Fax: +971 4 267 4312
 E-mail: mechtron@emirates.net.ae

Terms of use

LINAK® takes great care in providing accurate and up-to-date information on its products. However, the user is responsible for determining the suitability of LINAK products for a specific application. Due to continual development, LINAK products are subject to frequent modifications and changes. LINAK reserves the rights to conduct modifications, updates, and changes without any prior notice. For the same reason, LINAK cannot guarantee the correctness and actual status of imprinted information on its products.

LINAK uses its best efforts to fulfil orders. However, for the reasons mentioned above, LINAK cannot guarantee availability of any particular product at any given time. LINAK reserves the right to discontinue the sale of any product displayed on its website or listed in its catalogues or in other written material created and produced by LINAK, LINAK subsidiaries, or LINAK affiliates. All sales are subject to the 'Standard Terms of Sale and Delivery for LINAK A/S' available on LINAK websites. LINAK and the LINAK logotype are registered trademarks of LINAK A/S. All rights reserved.