



Control Box COL50 Data sheet

COL50

The control box COL50 is a part of the LIFT50 product series specially developed for patient lifts.

LIFT50 is a complete system consisting of the control box COL50, a battery BAL50 and an external charger CHL50 in a flexible solution. Combined with one or more actuators and a hand control, you have a complete system for modern patient lifts.

The control box COL50 contains a series of features which meet the patient's need for a safe and comfortable lift. Equipped with 3 channels, turbo-boosting for faster positioning, Bluetooth®, redundant controls, easy-to-understand LED indicators and more.

Combine this with next generation of Li-Ion battery technology for high performance and improved return on investment (ROI) due to long lifetime. Packaged in a light, small and ergonomic package for fast and single-handed battery exchange. The updated design with a clean white surface reduces visual noise. This makes it easy to integrate the LIFT50 design into the OEM patient lifter design.



Feature highlights:

- Compact modern design
- 3 channels
- Li-Ion battery technology
- SoftCon2 ready
- Speed Boost
- Easy-to-read LED indication
- Redundant controls

Usage:

- With internal charger: Nominal current draw max. 350 mA (depending on input voltage)
Power consumption (standby) max. 0.5 W power (depending on input voltage)
Input voltage range: 120-240 VAC (50/60 Hz)
Power consumption (charging) max. 30 W (depending on input voltage)

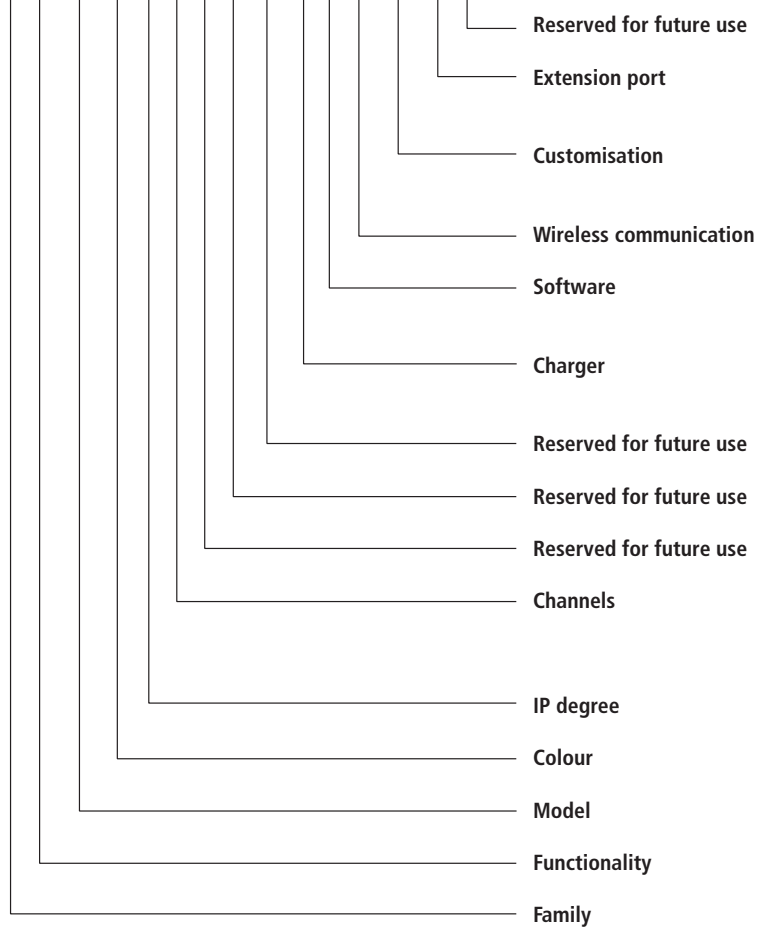
- Duty cycle: Max. 10% or 2 min. continuous use followed by 18 min. without use
- Operating temperature: +5 °C to +40 °C
- Storage temperature: -10 °C to +50 °C
- Relative humidity: 20% to 80% - non-condensing
- Atmospheric pressure: 700 to 1060 hPa
- Meters above sea level: Max. 3000 meters
- Approvals : EN IEC 60601-1
ANSI/AAMI ES60601-1
CAN/CSA-C22.2 NO. 60601-1
EN IEC 60601-1-2
RED (EU)
FCC ID (US)
IC ID (Canada)
Telec (Japan)

Features and options

Features	COL50
Channels	3 channels
Channel extension	+2 (5 in total)
Output current	12A - CH1, CH2 and CH3. (Duty cycle 2/18 min)
Soft start/stop	Yes
Emergency stop function	Located on BAL50
Acoustic battery alarm	Yes
LED Indicators	Battery status (3 green LEDs, first LED on left side switches to yellow at lowest status) and system status/service (2 x yellow)
Turbo boost	Yes
Wireless operation	BLE, Bluetooth® Low Energy
Redundant control	Up and down channel 1
Cable management	Yes
Ingress Protection	IPX6
Learn mode	Standard/Advanced (easy adjustment)
Battery charging	Internal and external
Charging time	Approx. 4 hours
Software customisation	SoftCon2
Colour base	Light grey RAL7035
Cable cover colour	Signal white RAL 9003
Feedback actuators	Yes, parallel and simultaneous movement (only same direction), memory positions
Service status	LED + Service Data Tool
Low battery information	Still able to get battery status Yellow LED indication + buzzer

Ordering example
COL50

C O L50 A 6 2 0 0 00 1 T 2 000 1 0



0 = None
 1 = Yes

000 = None
 XXX = Customer specific (001-999)

2 = Bluetooth

T = Without software
 X = Customised software

0 = None
 1 = Internal 120-240VAC +15%/-10%

1 = 1 Channel
 2 = 2 Channels
 3 = 3 Channels

6 = IPX6

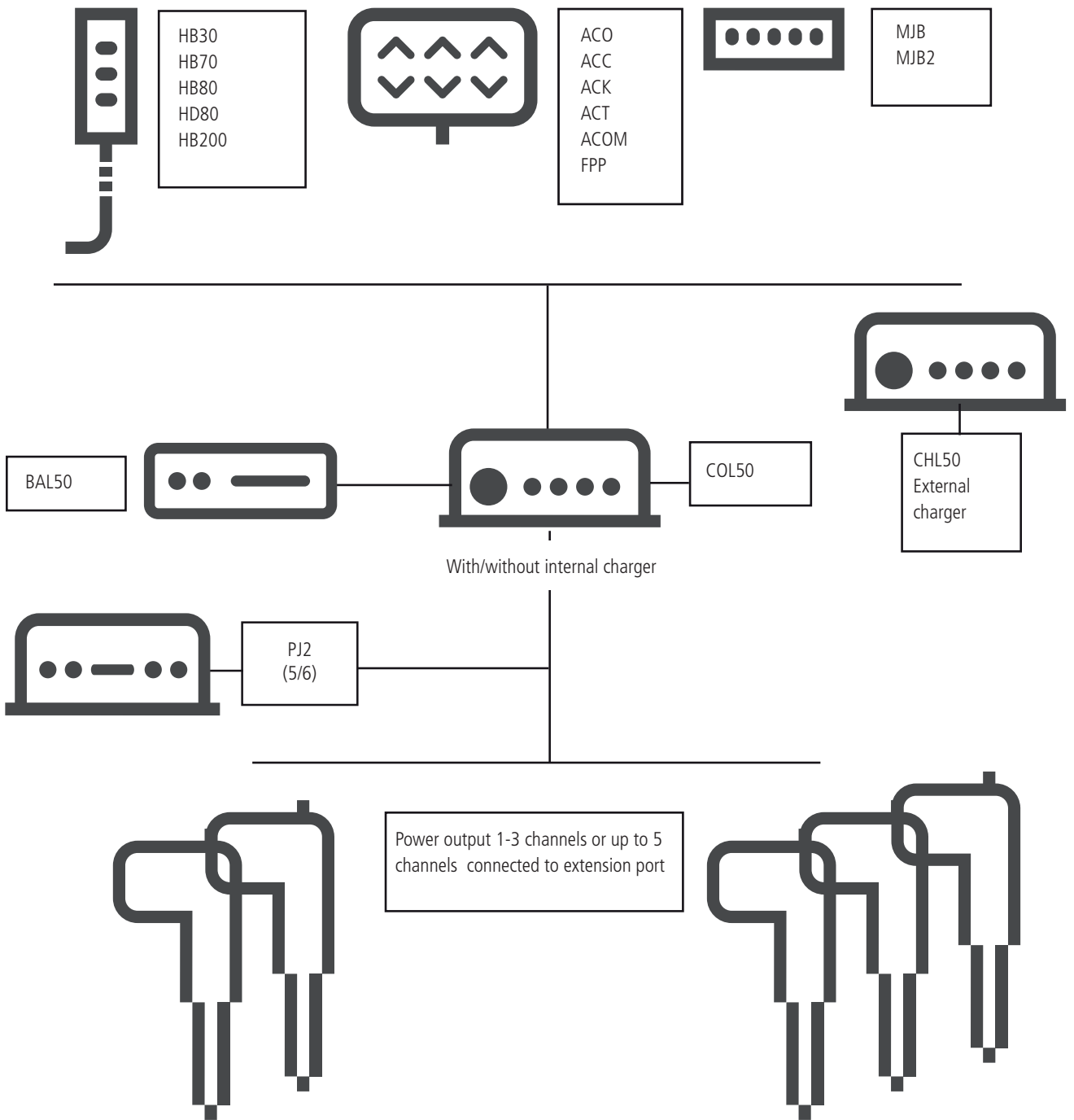
A = RAL7035 Light Gray, RAL9003 white cable cover.

L50 = LIFT™ 50 series

O = Intelligent, OpenBus input

C = Control Box

COL50 - System Overview



Internal battery charger:

COL50 is available with and without internal charger.

The internal SMPS charger makes charging of the batteries very efficient.

The charging time depends on the battery capacity and condition. Typically, the BAL50 charging time is approx. 4 hours from fully discharged state and depending on connected accessories.

Turbo boost

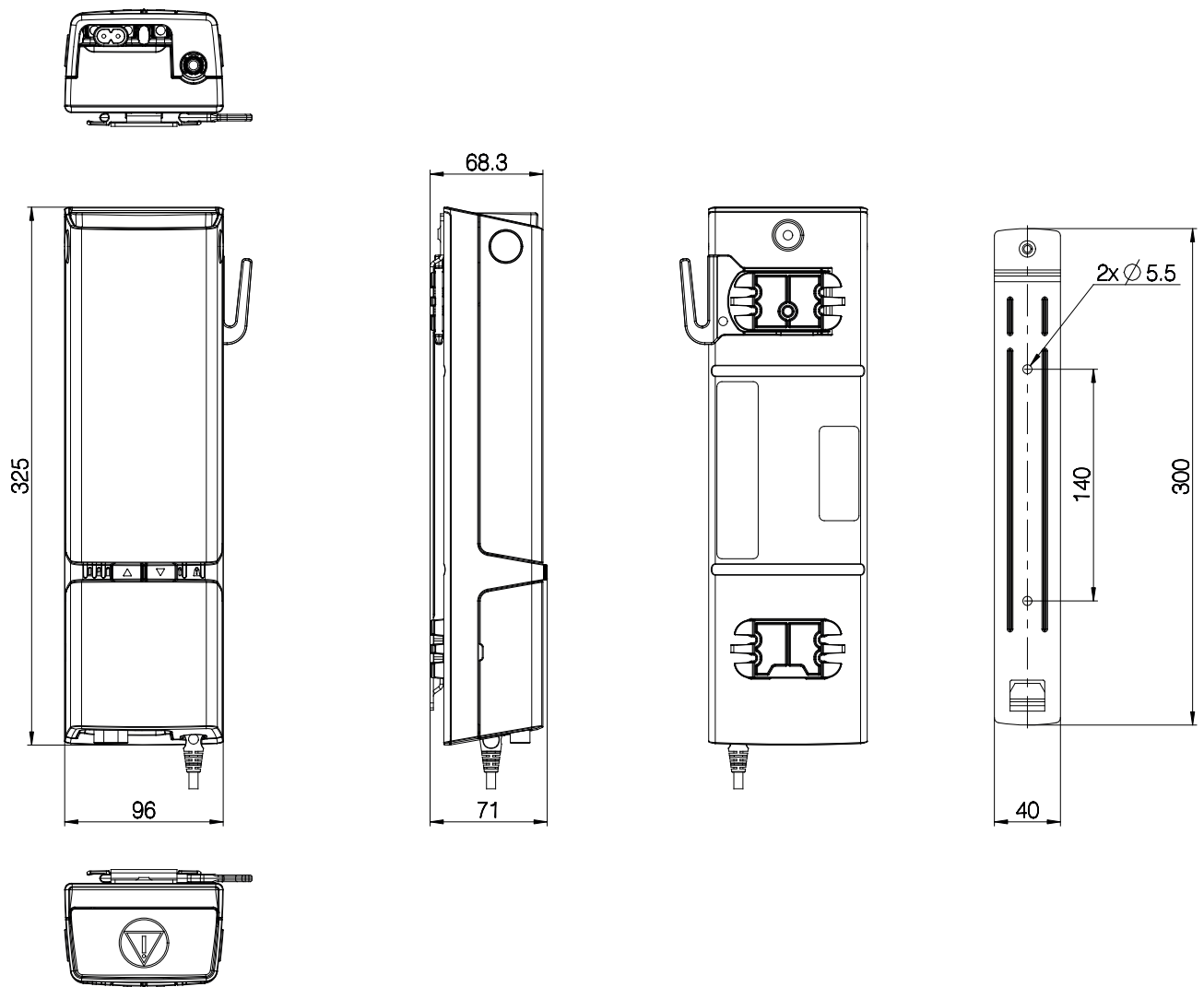
The COL50 has a new feature, turbo boost.

The turbo boost function can operate unloaded actuators at increased speed – up to 30% higher speed. The turbo boost can be used unloaded or at lower workloads (max. boost power approx. 100 W).

Turbo boost can be used for increased efficiency. The nurse will save valuable time by faster "getting-ready-to-lift" before moving the patient. Or to save time after use, when parking the lift in the hallway.

Using the turbo boost allows simultaneous use of several channels for running to "ready for lift" position or "parking" position.

Dimension drawing



Drawing no. 1039w4000

Accessories list	
Cable cover	Item no: SA1039W1003
Mains cables *	Please contact your local LINAK
Blind plug actuator port *	Item no: 0961318
Blind plug hand control port *	Item no: 0821008
Mounting bracket kit *	Item no: MBL50-1
Cable hanger	Item no: SA1039W1041

* must be ordered separately

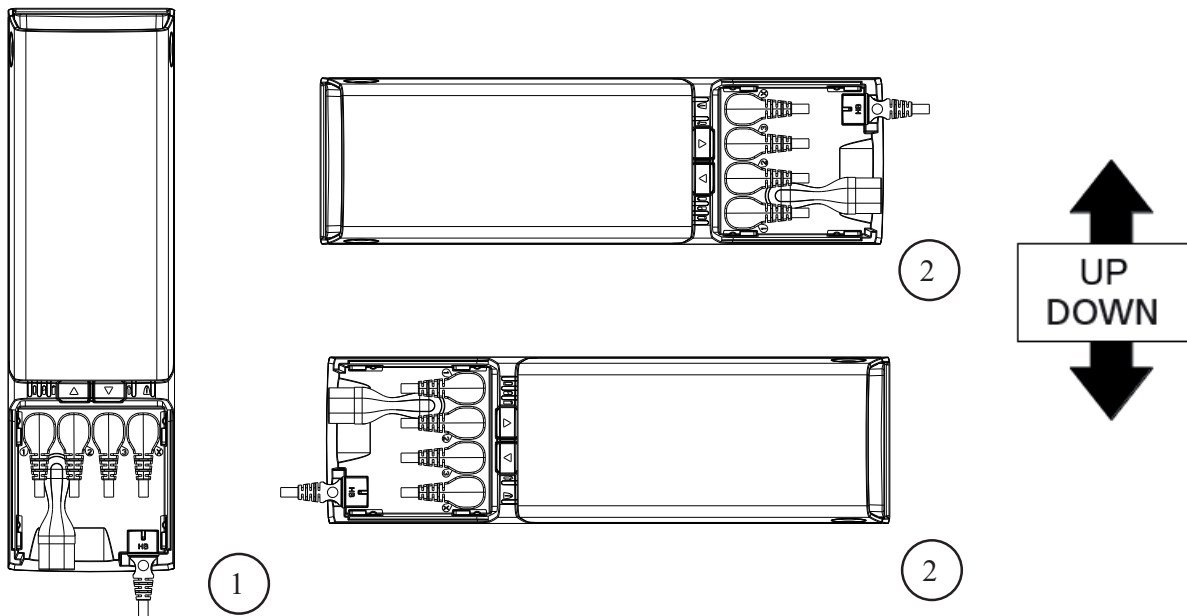
Hand control for the Learn Mode function

A special hand control has been prepared for the Learn Mode function.

HB30112-00



LIFT50 mounting



Drawing no. 1039w4000

LINAK® accepts no responsibility for possible errors or inaccuracies in catalogues, brochures, and other material. LINAK reserves the right to change its products without prior notice. LINAK cannot guarantee product availability and reserves the right to discontinue the sale of any product. The user is responsible for determining the suitability of LINAK products for a specific application. All sales are subject to the 'Standard Terms of Sale and Delivery', available on LINAK websites.

LINAK and the LINAK logotype are registered trademarks of LINAK A/S. All rights reserved.

FOR MOUNTING INSTRUCTIONS AND GUIDANCE IN USAGE, PLEASE SEE THE RELEVANT USER MANUAL