



DESKLIFT™ DL17
Data sheet

DESKLIFT™ DL17

The DL17 column sets the standards for inline columns. The compact square shaped column was developed to fulfil the market requirements for a low built-in dimension and at the same time a long stroke length. From a design perspective, the DL17 lifts a contemporary desk design with its very small steps between the profiles and invisible gliding pads. The column was designed for desks without crossbar ensuring more leg space and more design options. As standard, the DL17 features PIEZO™ – an integrated sensor minimising the risk of damage to a desk caused by squeezing or blocking of obstacles in up or down direction. The DL17 is developed without PVC, which is an environmental advantage. The column comes standard with black, grey, or white, or simply in a customised colour (optional).

The DL17 is compatible with DESKLINE® control boxes and controls – simply Plug & Play™.



Features:

- 3-part inline column
- Max. load: 700 N per column
- Max. speed: 38 mm/s
- Standard installation dimension: 518 mm or 545 mm
- Standard stroke length: 660 mm
- Column dimensions: 70 x 70 mm (outer profile)
- Weight: 8.0 kg per column (DL17000B0E660545)
- Bending moment: $M_y = \max 150 \text{ Nm}$ dynamic
- Colour: available in black (RAL 9005), grey (RAL 9006), or white (RAL 9016)
- Invisible gliding pads for optimised design
- Minimum spacing between the profiles for optimised design
- PIEZO™: Integrated sensor minimising the risk of damage to the desk by avoiding collision
- PVC-Free™ column for a more environmentally friendly product
- Pleasantly low noise level
- Synchronous drive of the middle profile
- Separate motor cable
- Bench bracket for bench solutions

Options:

- Customised colours
- Bracket for crossbar (customised version)
- Motor housing adapter mounted or as a separate unit (always black)

Usage:

- Single or 2, 3, 4 parallel drive
- Duty cycle: 10% ~ 1 minute continuous use at full load, followed by 9 minutes pause
- Ambient temperature: 10 to 40 °C
- Storage and transport temperature: -10 to +70 °C
- Compatible with DESKLINE control boxes and DESKLINE® controls
- Compatible with DESKLIFT™ Feet
- Complies with EN 60335-1
- Complies with UL962 with CBD6S

DL17

Ordering example:

DL17	0	0	0	B	0	E	660	518	
									Installation dimension:
									518 = 518 mm
									545 = 545 mm
									Stroke length:
									660 = 660 mm
									Motor type:
									E = PIEZO & IID
									Option:
									0 = Standard
									M = Motor housing adapter, mounted
									Colour:
									A = Grey (RAL 9006)
									B = Black (RAL 9005)
									D = White (RAL 9016)
									Option:
									0 = Standard
									L = Bench bracket on left narrow side
									R = Bench bracket on right narrow side
									Cable:
									0 = 200 mm
									Spindle type:
									0 = 20 mm pitch (standard)



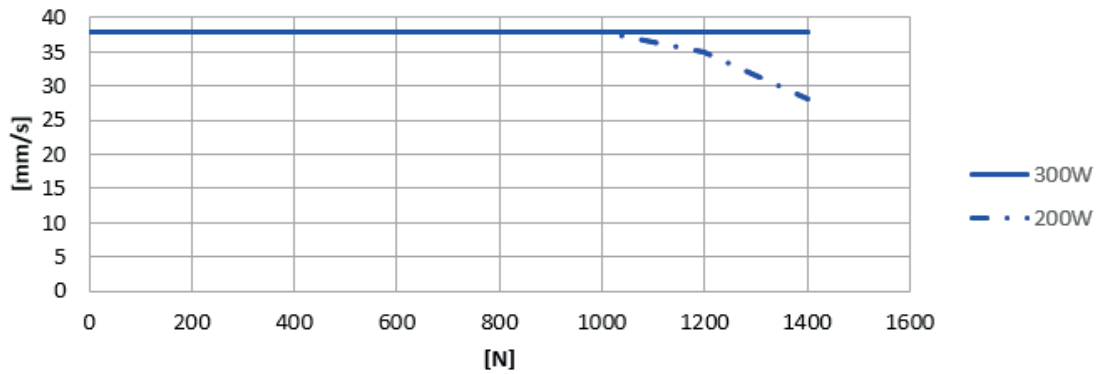
The motor housing adapter can also be ordered as a separate part, article number: HOUSINGDL12-001.
The motor housing adapter is available in black only.
When the motor housing adapter is mounted, it increases the installation dimension by 42 mm.



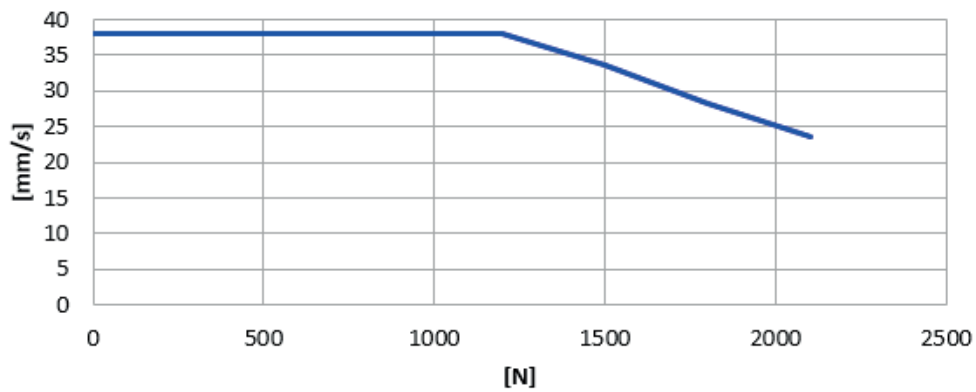
All cables for creating a fully connected DESKLINE system must be ordered separately. We offer a range of different versions and lengths.
For more information such as ordering number, colour and length of the cables, please contact your local LINAK.

Performance curves

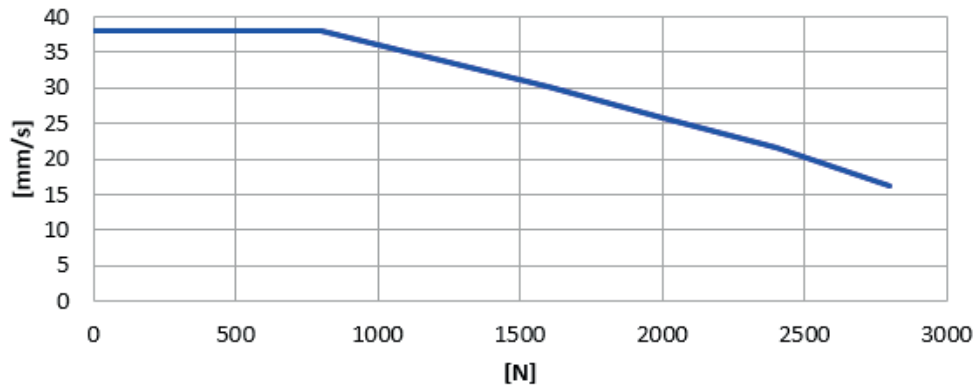
2 x DL17 (equally loaded) with CBD6S



3 x DL17 (equally loaded) with CBD6S (300W)



4 x DL17 (equally loaded) with CBD6S (300W)



The above curve applies to a centrally placed load. With moment load, there will be an increased friction in the columns, which will reduce the lifting force correspondingly.

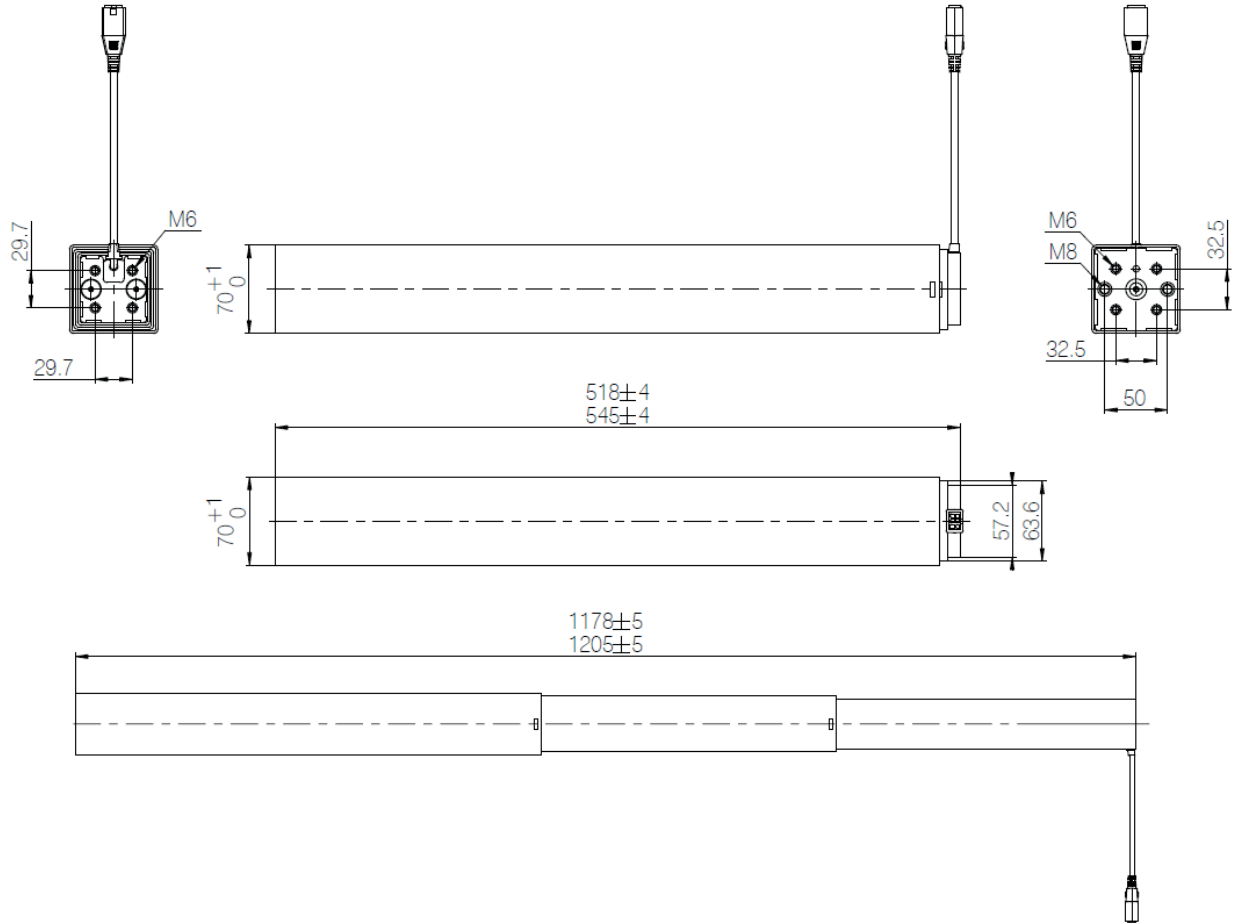


The DL17 DESKLINE system may only be used in push applications.

Dimensions, DL17 without bracket

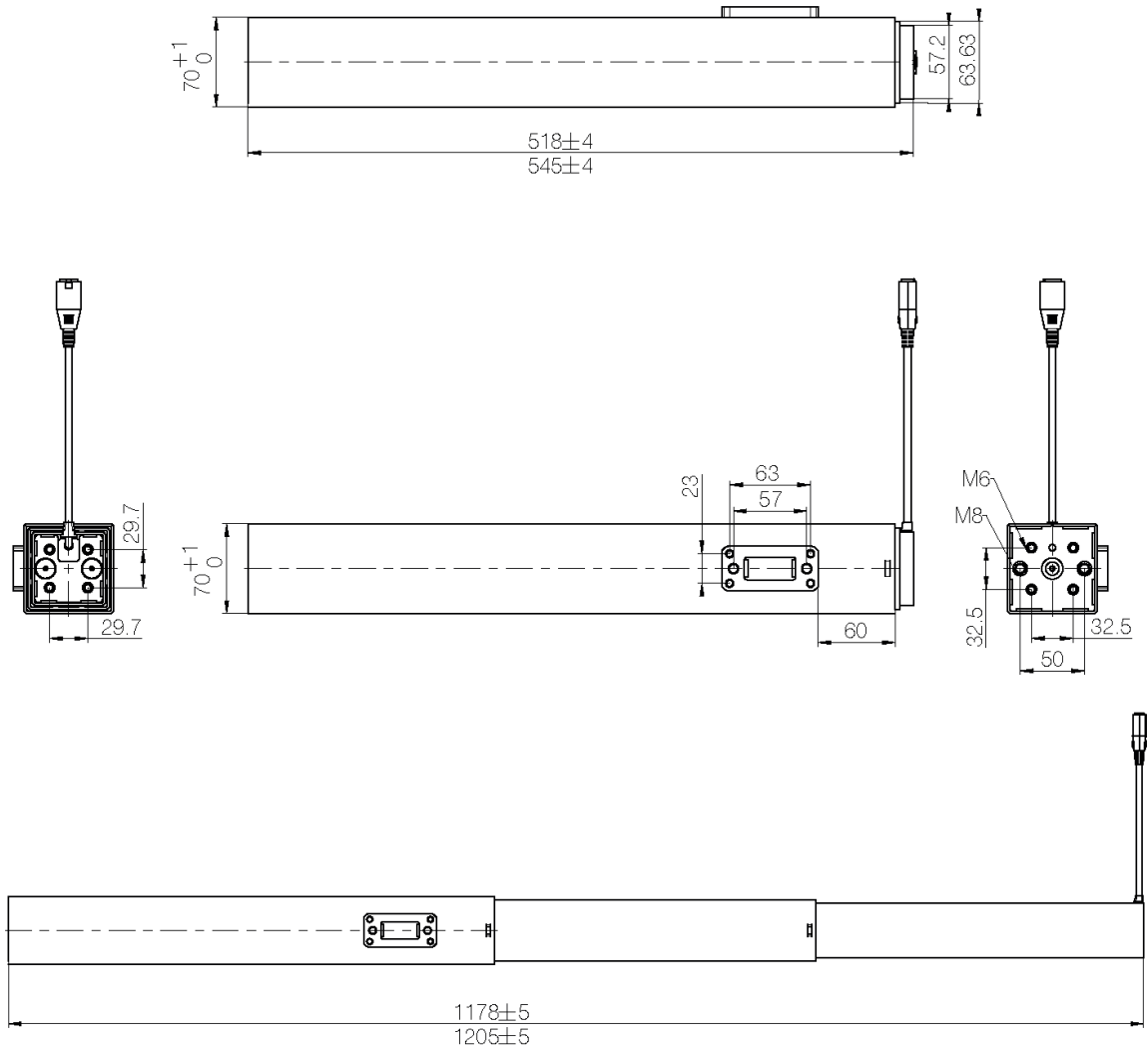


All measurements are without powder coating

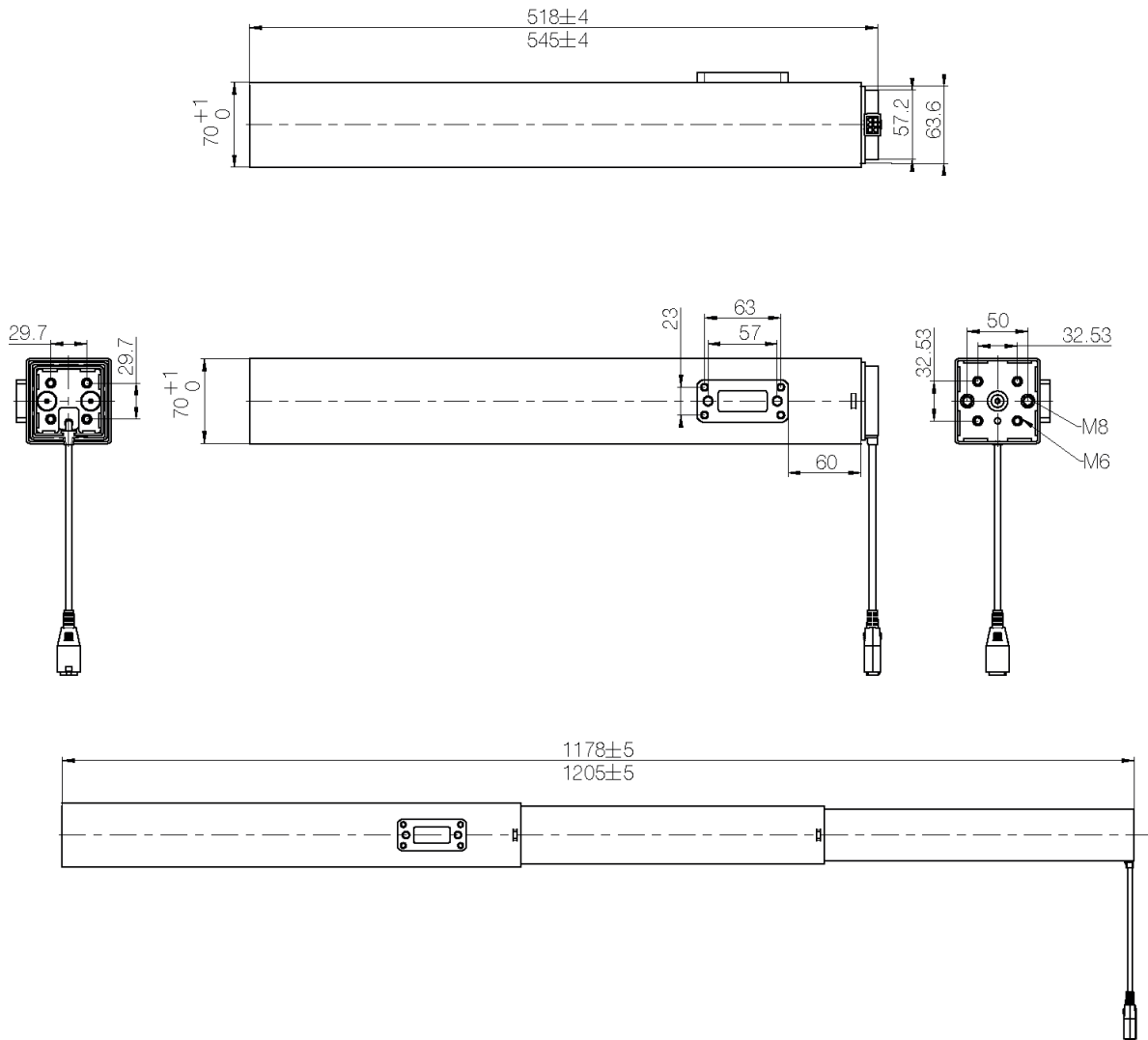


Minimum retracted length during initialisation with max. load is 513 mm.

Dimensions, DL17 with bench bracket
Left column



Dimensions, DL17 with bench bracket
Right column



LINAK® accepts no responsibility for possible errors or inaccuracies in catalogues, brochures, and other material. LINAK reserves the right to change its products without prior notice. LINAK cannot guarantee product availability and reserves the right to discontinue the sale of any product. The user is responsible for determining the suitability of LINAK products for a specific application. All sales are subject to the 'Standard Terms of Sale and Delivery', available on LINAK websites.

LINAK and the LINAK logotype are registered trademarks of LINAK A/S. All rights reserved.