



# Actuator LA10 system Data sheet

# LA10 system

---

The LA10 system consists of one or more Linear Actuators LA10, a Bluetooth® dongle, a control unit, and a charging point. The solution is designed for adjustable recliner chairs and meets user requirements for reduced number of cables in the system. The LA10 actuator is intelligent and automatically detects its position when connected in serial into a system. A Bluetooth® dongle ensures the wireless connection to the control unit, which is a wireless control placed in a bracket. To complete the design, the charging point is available in different versions. The entire system is designed to meet user preferences and to fit the elegant design of modern living-room furniture.



---

## Features:

- 18 to 31 V DC supply with DC cable
- Max load
  - Push: 3500 N
  - Pull: 2500 N
- Max. speed: 16 mm/s
- Compact design
- Installation dimension: 128 mm
  - Maximum deviation: 1 mm
- Adjustable BID
  - Up to 2 mm longer
  - Piston rod eye aligns with back fixture direction (can be adjusted to 45° or 135°)
- Stroke length: max. 150 mm
- Colour: Black (RAL 9005)
- Low noise level
- PVC-Free™

## Options:

- Various pre-set back fixture directions (0°, 45°, 90°, or 135°)

## Usage:

- Duty cycle: 10 % ≈ 1 minutes at continuous use followed by 9 minutes pause
- Ambient temperature: 5 to 40 °C
- Storage and transportation temperature: -10 to +50 °C
- Compatible with SMPS001 and SMPS006
- Complies with EN 60335-1

The Bluetooth® word mark and logos are registered trademarks owned by Bluetooth SIG Inc. and any use of such marks and logos by LINAK A/S is under license.

### Bluetooth® dongle BLE2DC

The Bluetooth® dongle BLE2DC is the “brain” of your LA10 system and allows you to adjust your product wirelessly from an app or a Bluetooth® hand control. Simply plug the BLE2DC into one of the actuators and pair your device to the system.

The BLE2DC is a very compact unit requiring a minimum of space. No mounting is needed, just plug in the adapter and you are ready.



BLE2DC

#### Features:

- Bluetooth® Low Energy Technology (Version 4.0 of the Bluetooth® specification)
- Compact
- Simple plug-in, no mounting required
- Easy pairing
- PVC-free™

#### Usage:

- Compatible with HOMELINE® wireless hand controls
- Ambient temperature: 5 to 40 °C
- Storage and transportation temperature: -10 to +50 °C

---

### Control Unit BP12

The Control Unit BP12 is designed for the control of recliner chairs with the LA10 system. The Control Unit BP12 is a small handheld control which can optionally be placed in a bracket in the recliner chair and used as a panel. The control unit is available in a simple design, the BP12 Classic.

The control unit BP12 combines ergonomic design and functionality into a user-friendly control with intuitive buttons.



Control Unit BP12



BP12 bracket

#### Features:

- Hand control controlling 2 channels
- Ergonomic and elegant design
- Intuitive use
- Exchangeable CR2032 battery
- PVC-Free™

#### Options:

- Customised silk screen print on cover
- Customised colour
- Customised logo on battery cover

#### Usage:

- Ambient temperature: 5 to 40 °C
- Storage and transportation temperature: -10 to +50 °C
- Compatible with all HOMELINE® products with integrated Bluetooth®

## Charging Point CP001/002

The Charging Point CP001/002 is the connection between power and your application. It is designed to fit into all designs and comes in two different versions.

The CP001 is a simple cable with a jack plug that gets connected directly to the power cable. This charging point is very discreet and compact.

The CP002 also comes with a jack plug and has a light indicator that lights up when the system is connected to power.

The Charging Points CP001 and CP002 are designed for an intuitive use when connecting your application to power.

A safety release cable is optional for CP001 and CP002. It protects the application by snapping apart if the charging cable is being pulled.

### Features:

- Two versions: Simple and Basic
- Easy to mount, no screws required
- LED light indicator (CP002 only)
- PVC-Free™

### Options:

- Safety release cable (for CP001 and CP002)
- Different charging point options

### Usage:

- Compatible with SMPS001/006
- Ambient temperature: 5 to 40 °C
- Storage and transport temperature: -10 to +50 °C



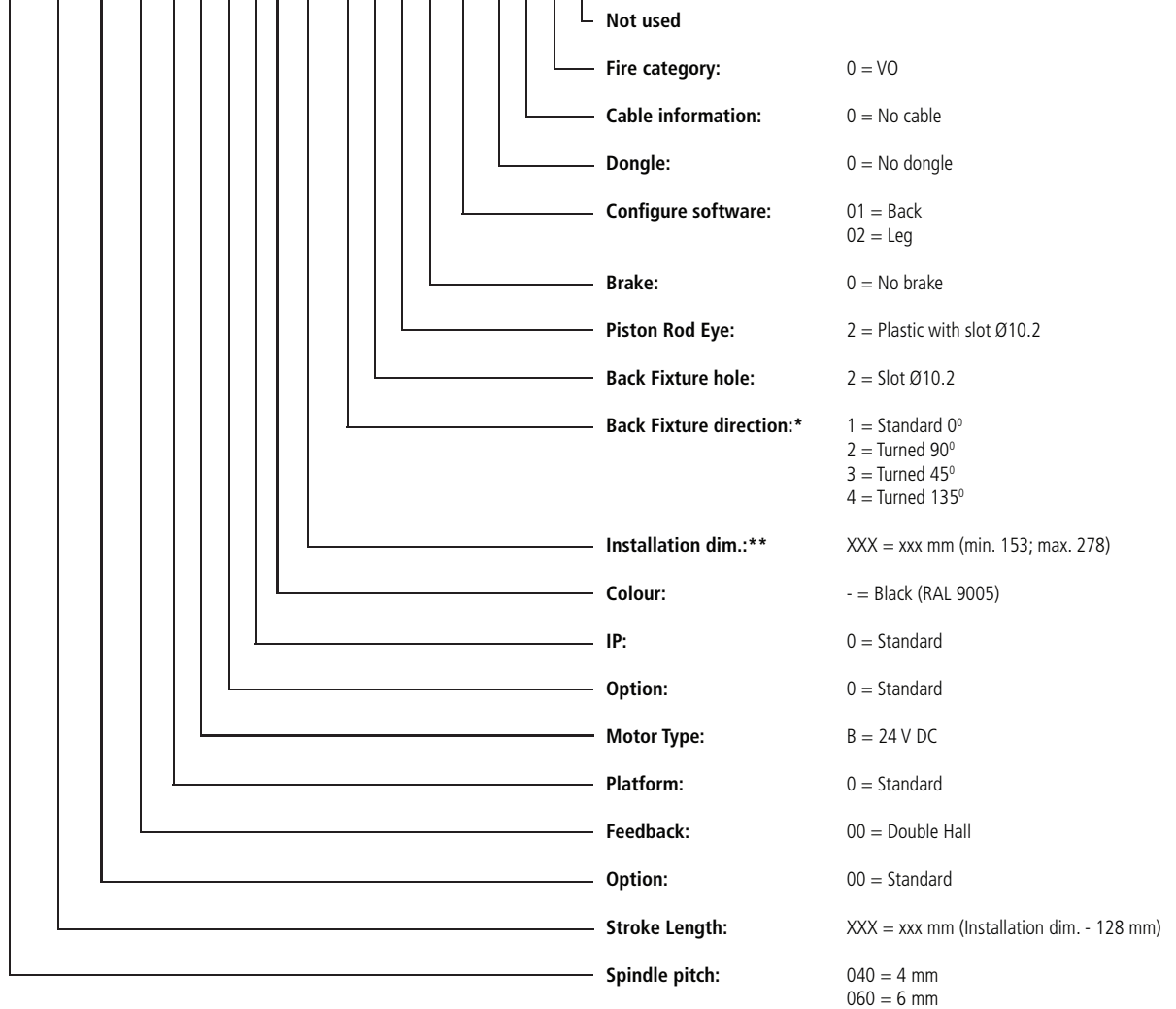
CP001



CP002

**Ordering example:**

LA10 040 100 00 00 0 B 0 0 - 228 1 2 2 0 01 0 0 0 0



\*: See photos below

\*\* : See table below



0°



45°



90°



135°

**Additional items for the LA10 system**

Name	Item number	Description
BLE2DC	BLE2DC000	Bluetooth® dongle
BP12	BP12BL0001	Control unit
Bracket for BP12	MB001	Bracket with metal plate
	MB002	Metal plate for under-cover mounting
Charging point	CP001-0500	Simple charging point with Jack connector; length 500 mm
	CP002-0500	Basic charging point with Jack connector and light; length 500 mm

**Cables for the LA10 system**

Name	Item number	Description	Length
Safety release cable	CAB1059W7007	Black	250 mm
Connection cable	0965362-400	Black; 2-pole mini-fit cable with angle plug in both ends	400 mm
Connection cable	0965362-800	Black; 2-pole mini-fit cable with angle plug in both ends	800 mm
Charging cable for CP001/CP002	CAB1059W7010	Black	2500 mm

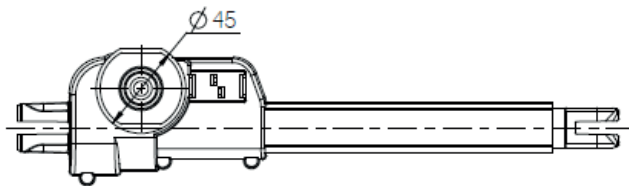
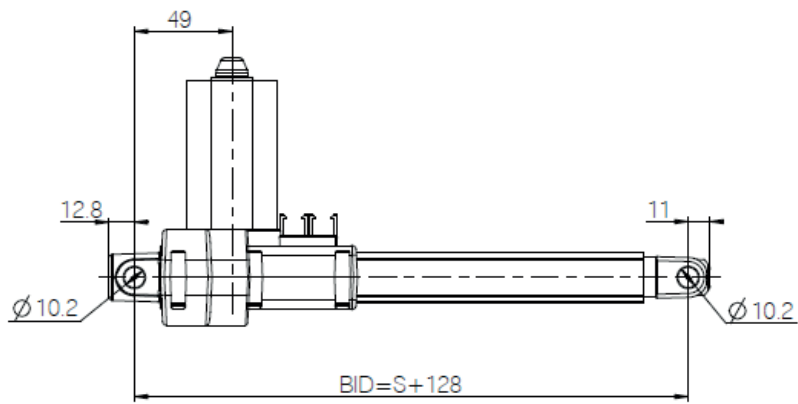
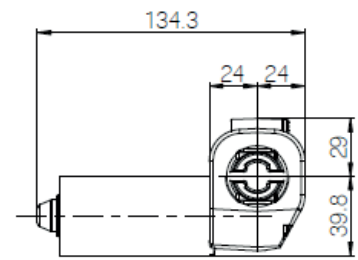
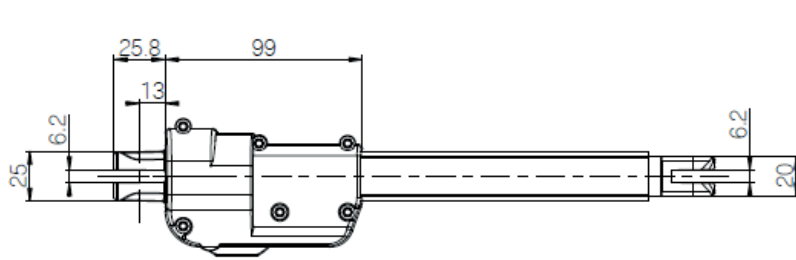
**SMPS**

SMPS001 = 230 V version

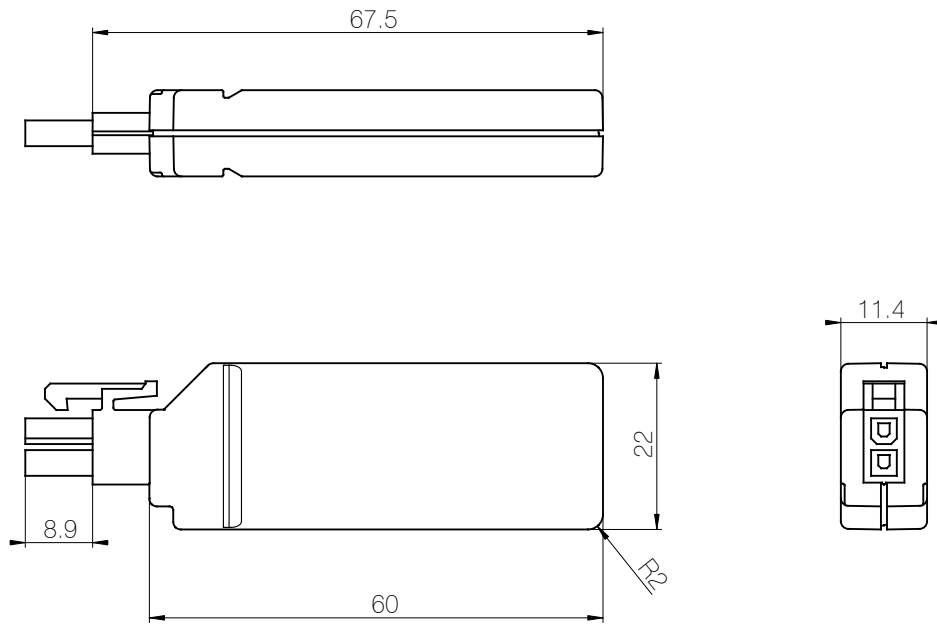
SMPS006 = Universal input 100 to 240 V version

## Dimensions

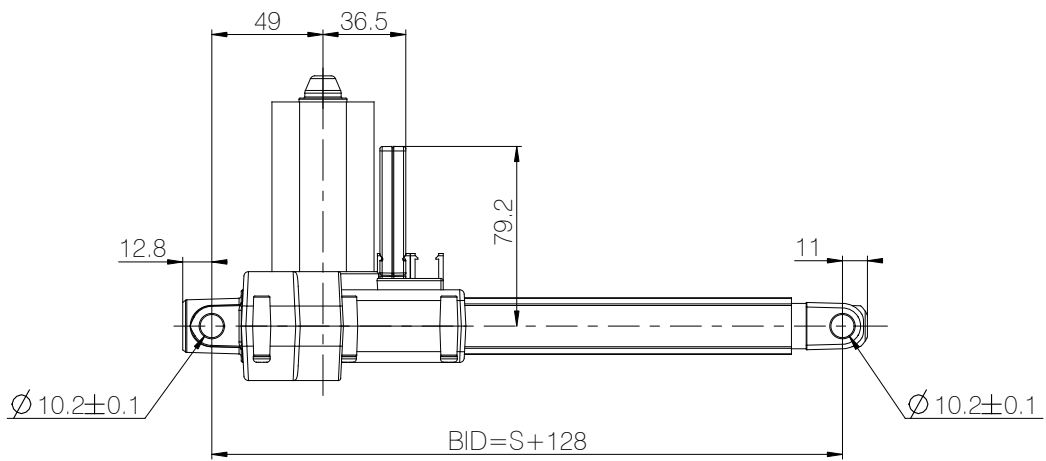
### Linear Actuator LA10



Bluetooth® dongle BLE2DC



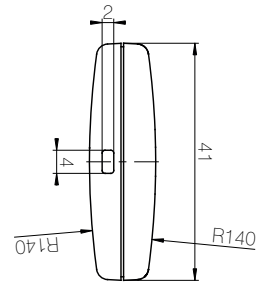
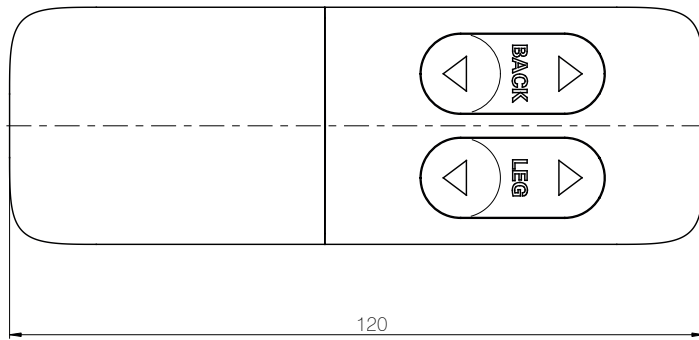
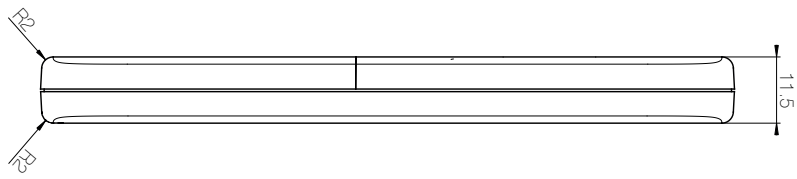
BLE2DC dimensions (mm)



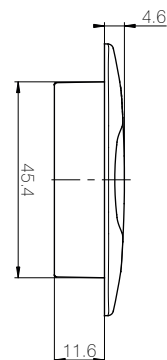
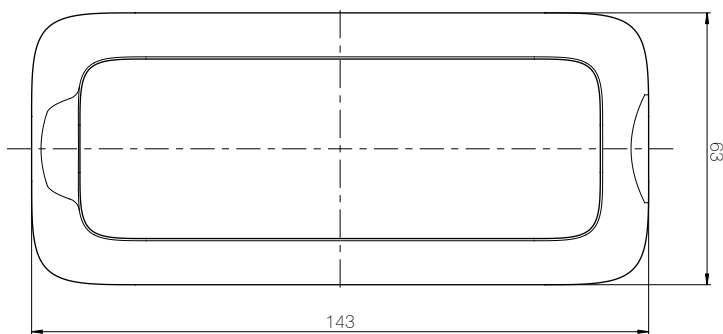
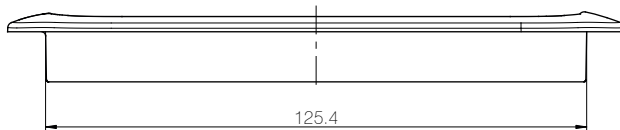
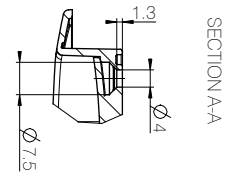
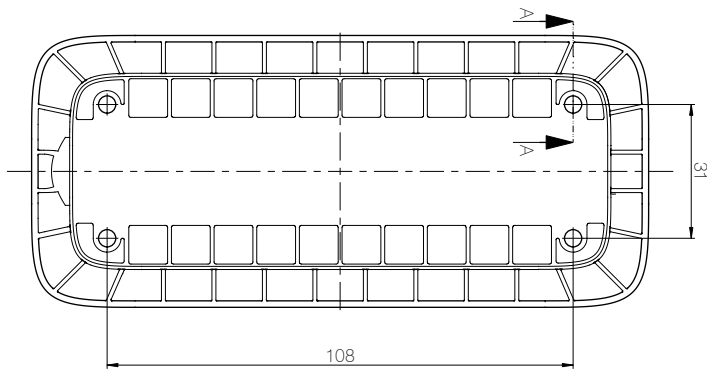
BLE2DC mounted in the LA10



Control Unit BP12

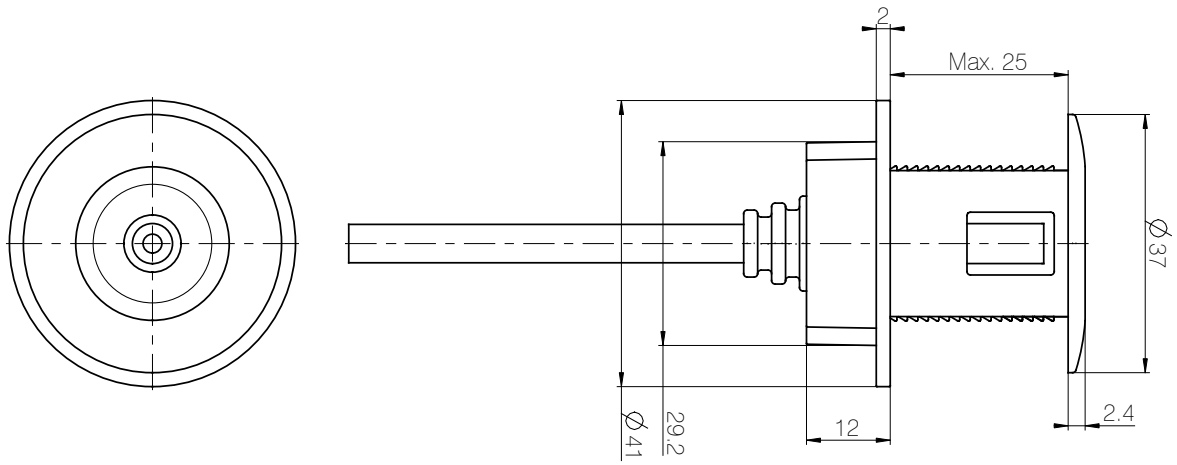


BP12 dimensions (mm)



Bracket for BP12

## Charging Point CP002



CP002 dimensions (mm)

LINAK® accepts no responsibility for possible errors or inaccuracies in catalogues, brochures, and other material. LINAK reserves the right to change its products without prior notice. LINAK cannot guarantee product availability and reserves the right to discontinue the sale of any product. The user is responsible for determining the suitability of LINAK products for a specific application. All sales are subject to the 'Standard Terms of Sale and Delivery', available on LINAK websites.

LINAK and the LINAK logotype are registered trademarks of LINAK A/S. All rights reserved.