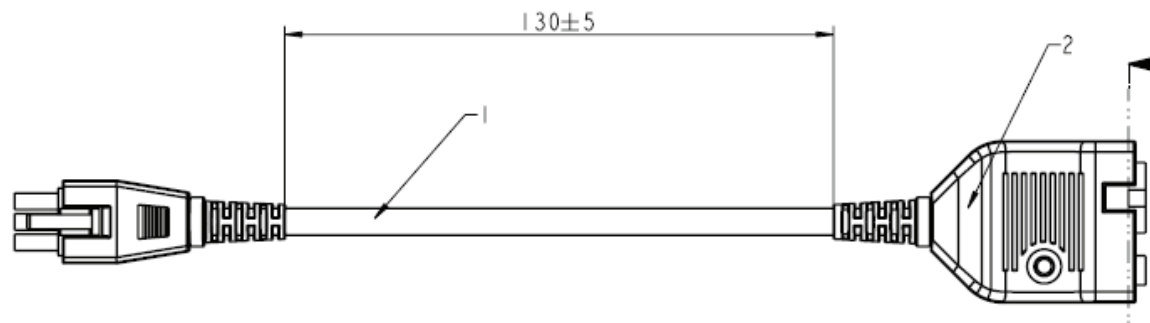


CBDSLS001



All rights reserved

Date:

18 June 2010

Description:

Accessory CBDSLS

**LINAK**®   
WE IMPROVE YOUR LIFE