

1

2

3

4

5

6

7

8

A

A

B

B

C

C

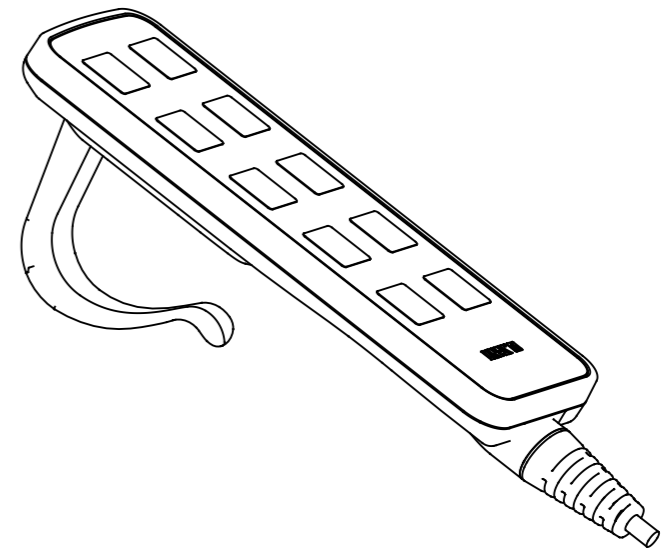
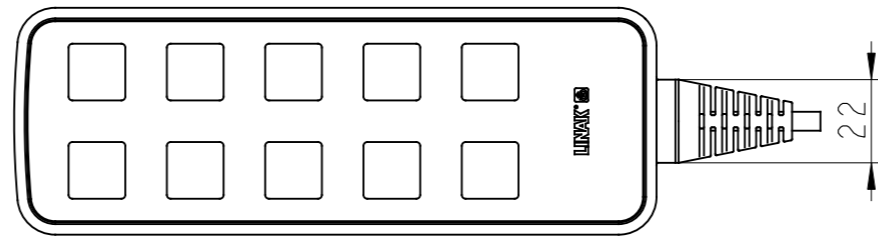
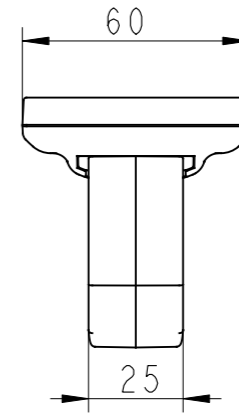
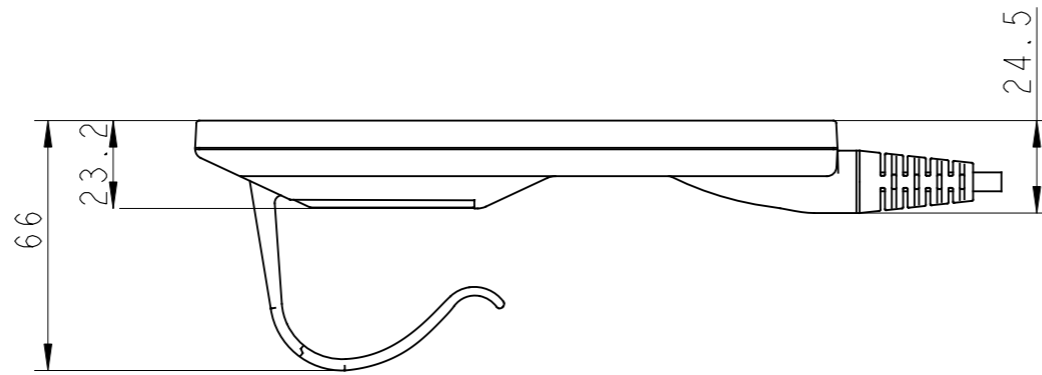
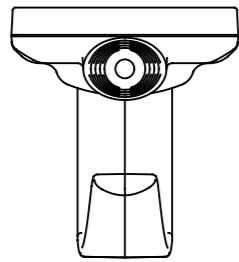
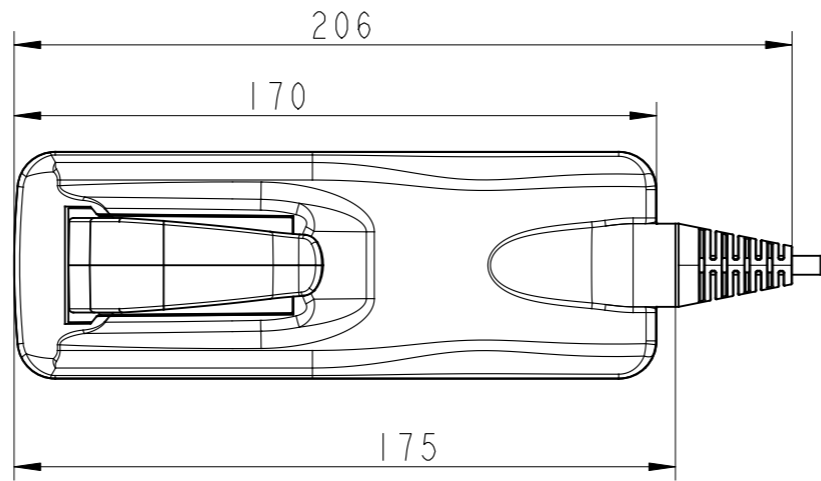
D


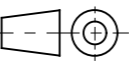
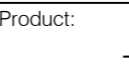
D

E

E

F



 WE IMPROVE YOUR LIFE		Material:	-	Approved by:	-				
		Type:	-	Modified by:	Jesse Dong				
		Color:	-	Created by:	Jesse Dong				
		Producer:	-	Updated:	2019-06-12				
Format:	A3	Sheet:	1/1	Scale:	1:2	Volume:	133501 mm ³	No. Of check dimensions (#):	-
		General Tolerance:	-	2D State:	Concept/Iteration 1				
		General Surface Character:	-	3D State:	Concept/Iteration 1				
Product:		Name:				No.:			
-		KH30				1050W9001-A			

Confidential: Property of LINAK A/S GROUP HEADQUARTER, DK-6430 NORDBORG, DENMARK Phone +45 73 15 15 15 ; FAX +45 74 45 80 48. Not to be handed over to, copied or used by third party.

1

2

3

4