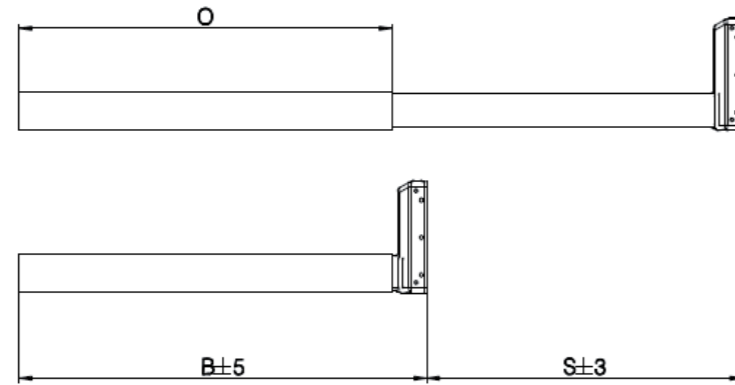




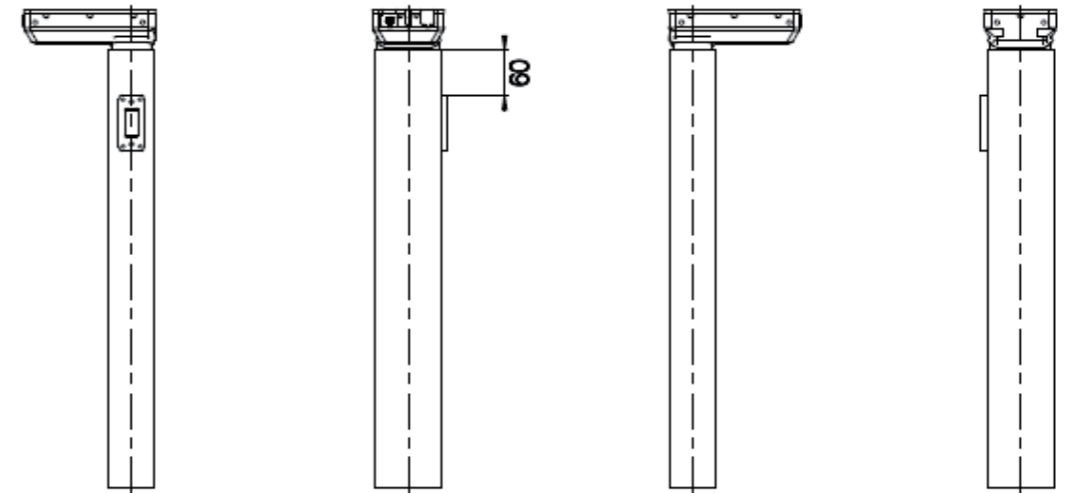
All measurements are without powder coating.



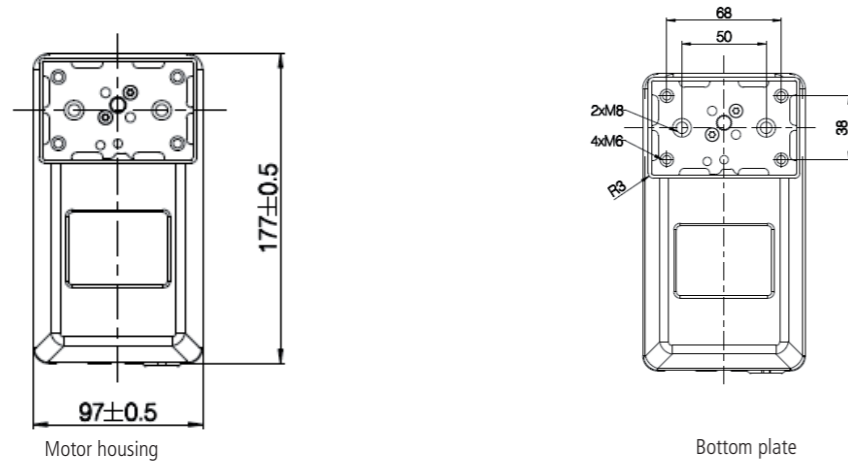
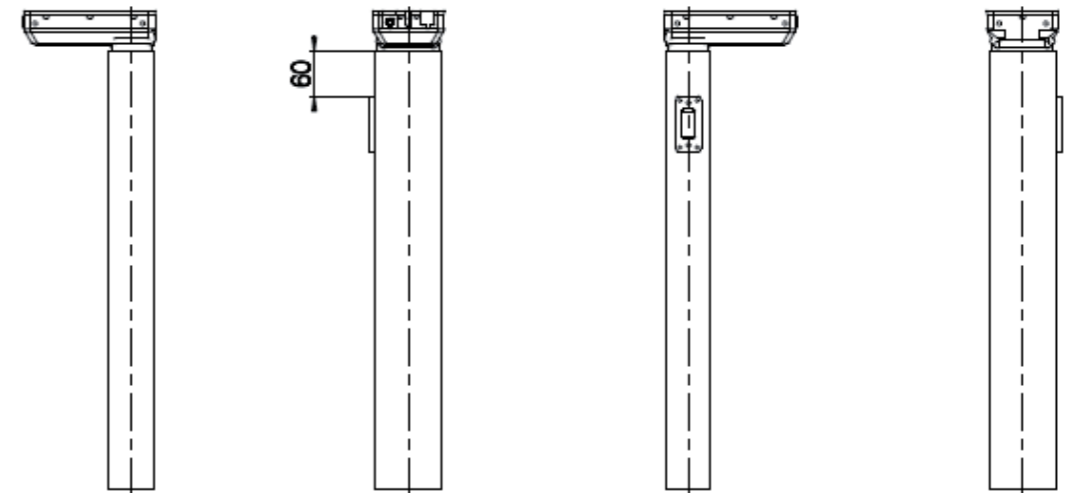
Version	Combination code	B (Built-in length) [mm]	S (Stroke length) [mm]	O (Outer profile length) [mm]
EU	DL20xxxxx500645	645	500	590

DL20 built-in length, stroke length, and outer profile length (mm)

Bench left

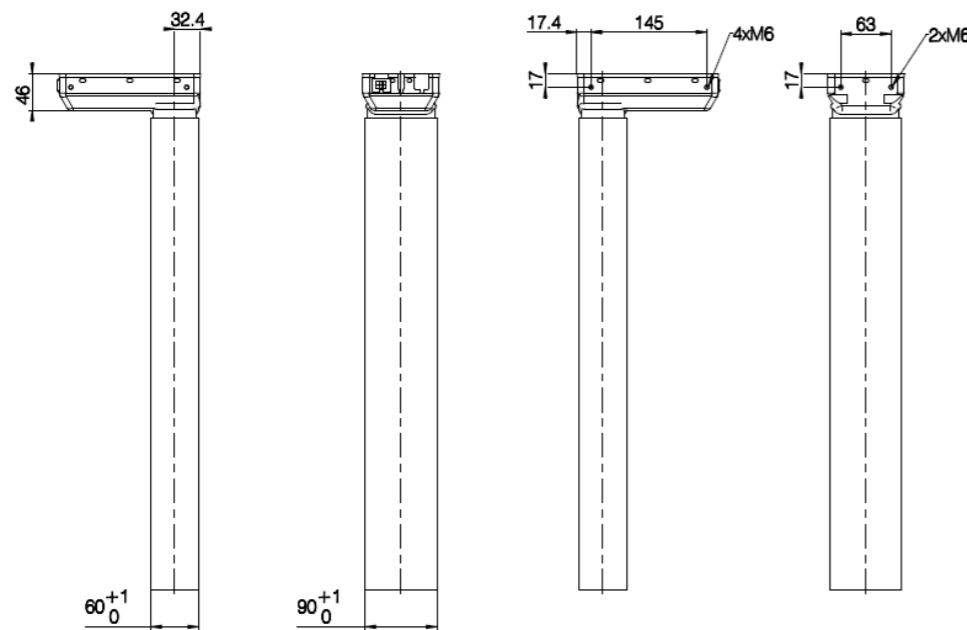


Bench right



Motor housing

Bottom plate



DL20 dimensions (mm)

Combination code	Bench left	Bench right
DL20xxLxxxxxxxx	X	
DL20xxRxxxxxxxx		X

Bracket options (dimensions in mm)

All rights reserved	Date: 25 June 2021
Description: Lifting Column DL20	