



# DB5/DB6 system User manual

# Contents

<b>Preface</b> .....	3
<b>Important information</b> .....	4
<b>Safety instructions</b> .....	4
Before installation, re-installation or troubleshooting .....	4
Before start-up .....	4
During operation.....	5
<b>Repairs</b> .....	5
<b>Manufacturer's declaration</b> .....	5
<b>Misc. on the DESKLINE® DB5/DB6 system</b> .....	6
<b>Description of the DESKLINE® DB5/DB6 system</b> .....	7
<b>Mounting guidelines for the DESKLINE® DB5 system</b> .....	8
<b>Mounting guidelines for the DESKLINE® DB6 system</b> .....	11
<b>Mounting guidelines CBD4/CBD5/CBD6</b> .....	14
<b>Electrical connection of the DB5/DB6 system</b> .....	15
<b>Initialisation of the DESKLINE® DB5/DB6 parallel systems</b> .....	16
<b>Accessories</b> .....	17
<b>Disposal of LINAK's products</b> .....	18
<b>Labels</b> .....	19
<b>Drawing appendix</b> .....	21
<b>Addresses</b> .....	28

# Preface

Dear User,

We are delighted that you have chosen a product from LINAK®.

LINAK systems are high-tech products based on many years of experience in the manufacture and development of actuators, electric control boxes, controls and chargers.

This User Manual does not address the end-user. It is intended as a source of information for the manufacturer of the equipment or system only, and it will tell you how to install, use and maintain your LINAK electronics. It is the responsibility of the manufacturer of the end-use product to provide a User Manual where relevant safety information from this manual is passed on to the end-user.

We are sure that your LINAK product will give you many years of problem-free operation.

Before our products leave the factory they undergo full function and quality testing. Should you nevertheless experience problems with your systems, you are always welcome to contact your local dealer.

LINAK subsidiaries and some distributors situated all over the world have authorised service centres, which are always ready to help you.

LINAK provides a limited warranty on its products. This warranty is, however, subject to correct use in accordance with the specifications, maintenance being done correctly, and any repairs being carried out at a service centre, which is authorised to repair LINAK products. Changes in installation and use of LINAK products/systems can affect their operation and durability. The products are not to be opened by unauthorised personnel. You can review the full terms of the LINAK warranty on the LINAK website [www.linak.com/warranty](http://www.linak.com/warranty).

The User Manual has been written based on our present technical knowledge. We are constantly working on updating the information and we therefore reserve the right to carry out technical modifications.

**LINAK A/S**

## Important information

Important information on LINAK® products can be found under the following headings:



### Warning!

Failure to comply with these instructions may result in accidents involving serious personal injury.



Failing to follow these instructions can result in the product being damaged or being destroyed.

---

## Safety instruction



### General

Safe use of the system is possible only when the operating instructions are read completely and the instructions contained are strictly observed.

Failure to comply with instructions marked with the "NOTE" symbol may result in serious damage to the system or one of its components.



It is important for everyone who is to connect, install, or use the systems to have the necessary information and access to this User Manual. Follow the instructions for mounting – risk of injury if these instructions are not followed.



The appliance is not intended for use by young children or infirm persons without supervision.



If there is visible damage on the product it must not be installed.



Note that during construction of applications, in which the actuator is to be fitted, there must be no possibility of personal injury, for example the squeezing of fingers or arms.



Assure free space for movement of application in both directions to avoid blockade.

## **Before installation, reinstallation or troubleshooting:**

- Stop the DB5/DB6
- Switch off the power supply and pull out the mains plug.
- Relieve the DB5/DB6 of any loads, which may be released during the work.

## **Before start-up:**

- Make sure that the system has been installed as instructed in this User Manual.
- Make sure that the voltage at the control box is correct before the system is connected to the mains.
- System connection. The individual parts must be connected before the control box is connected to the mains. See the User Manual for LINAK actuators, if necessary.

## **During operation**

- If the control box makes unusual noises or smells switch off the mains voltage immediately.
- Take care that the cables are not damaged.
- Unplug the mains cable on mobile equipment before it is moved.
- The products must only be used in an environment, which corresponds to their IP protection.

## **Misc.**

The actuator system has a sound level below 55dB(A) in typical applications.

Updated manuals and declarations can always be found here:

[www.linak.com/deskline](http://www.linak.com/deskline)

## Only for EU markets



This appliance can be used by children aged from 8 years and above and persons with reduced physical, sensory or mental capabilities or lack of experience and knowledge if they have given supervision or instruction concerning use of the appliance in a safe way and understand the hazards involved.



Children shall not play with the appliance. Cleaning and user maintenance shall not be made by children without supervision.

## Only for Non EU markets



Persons who do not have the necessary experience or knowledge of the product/products must not use the product/products. Besides, persons with reduced physical, sensory or mental abilities must not use the product/products, unless they are under surveillance or they have been thoroughly instructed in the use of the apparatus by a person who is responsible for the safety of these persons.



Moreover, children must be under surveillance to ensure that they do not play with the product.



It is the operator's responsibility to ensure that there is free space for the application to move without risk for the operator or bystanders before operating the application.

## Misuse



Do not overload the actuators – this can cause danger of personal injury and damage to the system.



Do not use the actuator system for lifting persons. Do not sit or stand on a table while operating – risk of personal injury.



Do not use the system in environments other than the intended indoor use

## Repairs

In order to avoid the risk of malfunction, all DESKLINE® repairs must only be carried out by authorised LINAK service centres or repairers, as special tools must be used and special gaskets must be fitted. Products under warranty must also be returned to authorised LINAK service centres.

Further information on DESKLINE warranty can be found on the LINAK website [www.linak.com/warranty](http://www.linak.com/warranty).



### Warning!

If any of the DESKLINE® products are opened, there will be a risk of subsequent malfunction.



### Warning!

The DESKLINE® systems do not withstand cutting oil.

---

## DECLARATION OF INCORPORATION OF PARTLY COMPLETED MACHINERY

### LINAK A/S

Smedevænget 8  
DK - 6430 Nordborg

Herewith declares that LINAK DESKLINE® products as characterized by the following models and types:

Control Boxes	CBD6S
Linear Actuators	DB5, DB6, DB7, DB9, DB12, DB14, DB16, LA23, LA31
Lifting Columns	DL1A, DL2, DL4S, DL5, DL6, DL7, DL8, DL9, DL10, DL11, DL12, DL14, DL15, DL16, DL17, DL19, BASE1
Desk Panels	DPA, DPB, DPH, DPF, DPG1K, DPG1M, DPG1B, DPG1C, DPT, DP1, DP1CS, DP1K, DP1V, DP1U
RF Controls	HB10RF, HB20RF, RFT, RFRL
Accessories	BA001, SLS, Kick & Click

comply with the following parts of the Machinery Directive 2006/42/EC, ANNEX I, *Essential health and safety requirements relating to the design and construction of machinery*:

### 1.5.1 Electricity supply

The relevant technical documentation is compiled in accordance with part B of Annex VII and that this documentation or part hereof will be transmitted by post or electronically to a reasoned request by the national authorities.

**This partly completed machinery must not be put into service until the final machinery into which it is to be incorporated has been declared in conformity with the provisions of the Machinery Directive 2006/42/EC where appropriate.**

Nordborg, 2017-12-08

### LINAK A/S

John Kling, B.Sc.E.E.  
Certification and Regulatory Affairs  
Authorized to compile the relevant technical documentation

## Misc. on the DESKLINE® DB5/DB6 system

This system is a DESKLINE system developed for desks and for indoor use in offices. Do not use it in industrial kitchens or in other environments that have to be cleaned with aggressive detergents.

Do not bolt the legs to the floor so that free movement is prevented. This could cause serious damage to the legs in fault situations.

### Warranty

This DESKLINE product is subject to warranty pursuant to the terms of LINAK DESKLINE Warranty Paper, available on the LINAK website [www.linak.com/warranty](http://www.linak.com/warranty).

### Maintenance

Clean dust and dirt on the outside of the system at appropriate intervals and inspect them for damage and breaks. Inspect the connections, cables, and plugs and check for correct functioning as well as fixing points.

### Service of double-insulated products:



#### Class II

A Class II or **double insulated** electrical appliance is one which has been designed in such a way that it does not require a safety connection to electrical earth (US: ground).

The basic requirement is that no single failure can result in dangerous voltage becoming exposed so that it might cause an electric shock and that this is achieved without relying on an earthed metal casing. This is usually achieved at least in part by having two layers of insulating material surrounding live parts or by using reinforced insulation.

There is no earthing/grounding means provided on the product, and no earthing/grounding means is to be added to the product.

In Europe, a double insulated appliance must be labelled "Class II", "double insulated" or bear the double insulation symbol (a square inside another square).

Servicing a double-insulated product requires extreme care and knowledge of the system, and is to be done only by qualified service personnel. Replacement parts for a double-insulated product must be identical to the parts they replace.



**The cleaners and disinfectants must not be highly alkaline or acidic (pH value 6-8).**



## Description of the DESKLINE® DB5/DB6 system

Each DESKLINE® DB5/DB6 actuator is equipped with a motor and parallel/memory drive is ensured by means of software in the CBD4/CBD5/CBD6 that also takes account of oblique load on the desk. Soft start and stop are also part of this software, which ensures a soft start and stop when adjusting the desk.

### Application of the DESKLINE® DB5/DB6 system:

Irrespective of the load the **duty cycle 10% ~ 6 min./ hour or max. 2 min. at continuous use** stated in the data sheets, must **NOT** be exceeded as this will result in a superheating of the motor, the brake and the spindle nut. Exceeding the duty cycle will result in a dramatic reduction of the life of the system.

The system must not be allowed to collide with and be blocked by an external object. In such a case the working parts of DB5/DB6 can be damaged. If the system collides with an object e.g. If the desktop is stopped by a window ledge, then the system should be examined to see as to whether the DB5/DB6 still functions correctly.

The DESKLINE® DB5/DB6 system range contains following products:

- 1 control box CBD4/CBD5/CBD6
- 1 single DB5/DB6 or 2, 3, or 4 parallel
- 1 exchangeable mains cable
- 1, 2, 3, or 4 motor cables
- 1 DP1U/DPF1M (if memory function is required) or 1 DPA/DPB/DP1K/DP1V/DPF1K (if only up/down is required.)

## Mounting guidelines for the DESKLINE® DB5 system

The motor housing is supplied with 6 pcs. M6 threaded holes meant for mounting on the desk frame. We advise you to fasten the desk frame by means of 6 pcs. M6 screws of a good quality and a suitable length, which must not go further into the motor housing than max.10 mm. The thrust moment must not exceed 7.5 Nm.

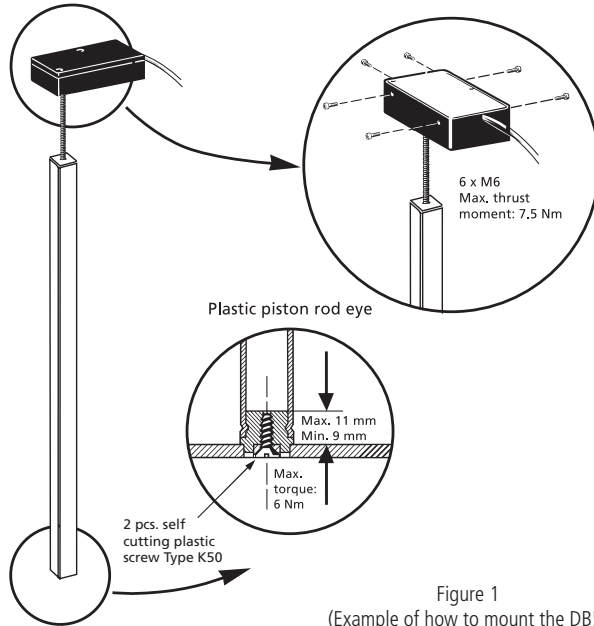
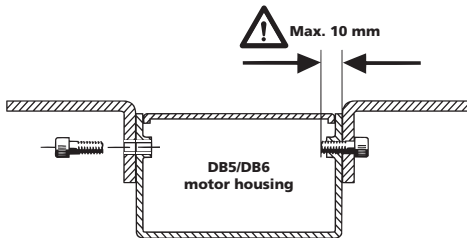


Figure 1  
(Example of how to mount the DB5)



It is important that the correct screws are used.

Check that the screws are fitted correctly to ensure a correct function to prevent the guidance from coming apart when the desktop is lifted.

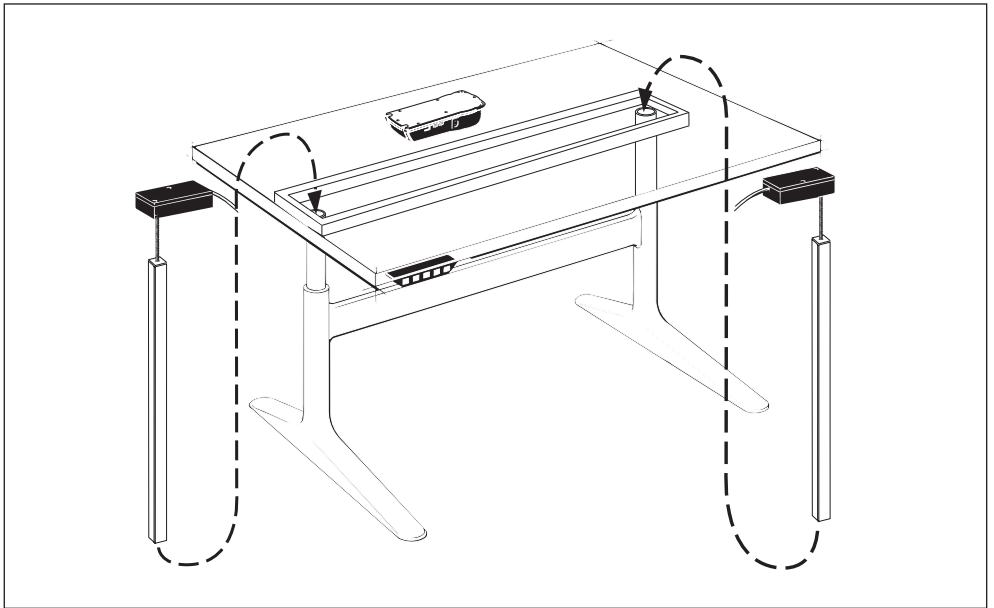


Figure 2  
(Example of how to mount the DB5 system)



LINAK recommends that the DESKLINE® DB5 system should be used in push applications - with the motor housing upwards.



Placement of a monitor directly above the motor housing may cause malfunction of the monitor. Magnets inside the motor may interrupt the picture on the monitor depending on the distance and type of monitor. If this is the case the problem may be solved by placing an iron plate/tube or another magnetic material, somewhat larger than the motor housing, between the motor and the tabletop.

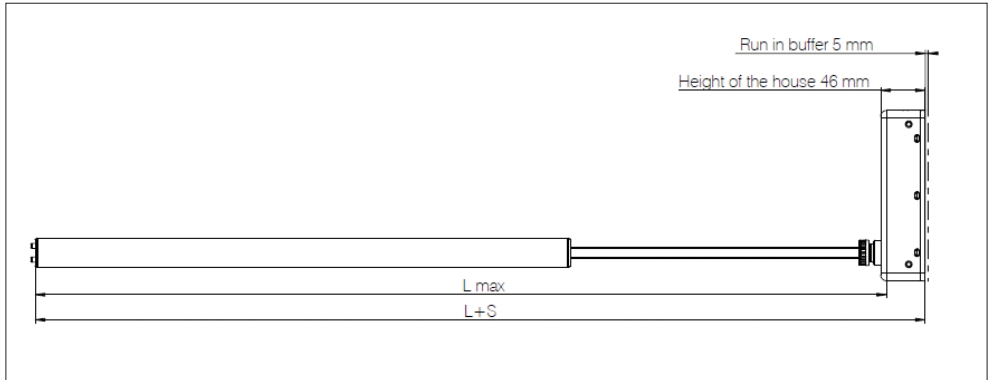


The endstop system in the DB5 is based on a buffer system meaning that you must be aware of the lengths when initialising. The products must be able to drive:

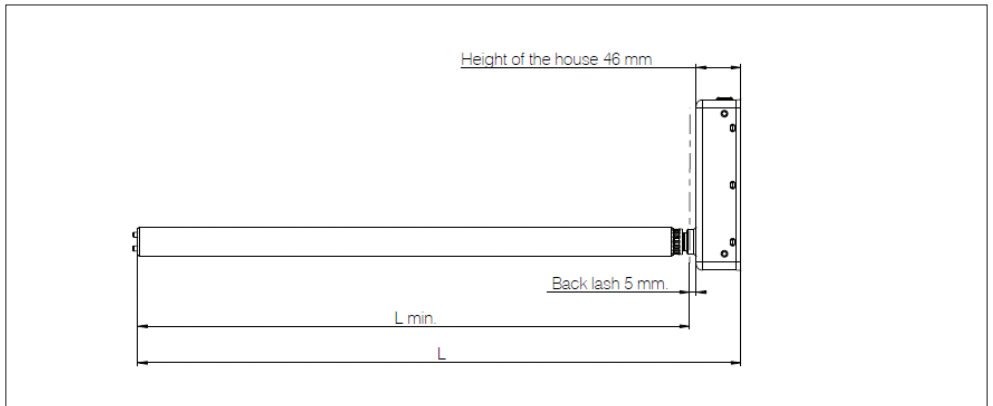
Inward direction: built-in dimension - tolerances - 5 mm

Outward direction: built-in dimension + stroke length + tolerances + 5 mm

DB5 (fully extended)



DB5 (fully retracted)



## Mounting guidelines for the DESKLINE® DB6 system

The motor housing is supplied with 6 pcs. M6 threaded holes meant for mounting on the desk frame. We advise you to fasten the desk frame by means of 6 pcs. M6 screws of a good quality and a suitable length, which must not go further into the motor housing than max. 10 mm. The thrust moment must not exceed 7.5 Nm.

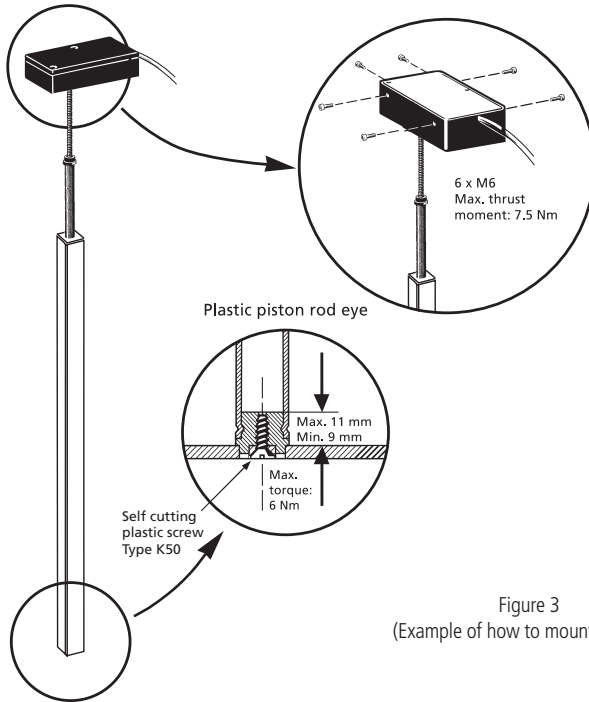
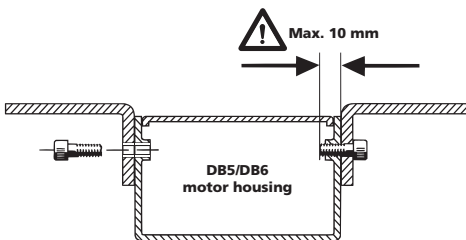


Figure 3  
(Example of how to mount the DB6)



It is important that the correct screws are used.

Check that the screws are fitted correctly to ensure a correct function to prevent the guidance from coming apart when the desktop is lifted.

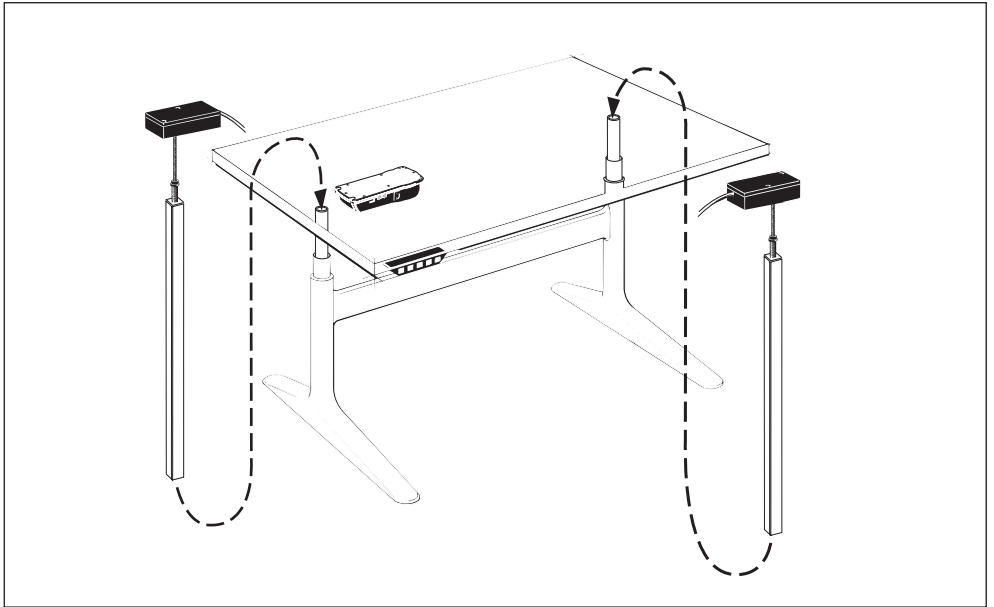


Figure 4  
(Example of how to mount the DB6 system)



LINAK recommends that the DESKLINE® DB6 system should be used in push applications - with the motor housing upwards.



Placement of a monitor directly above the motor housing may cause malfunction of the monitor. Magnets inside the motor may interrupt the picture on the monitor depending on the distance and type of monitor. If this is the case the problem may be solved by placing an iron plate/tube or another magnetic material, somewhat larger than the motor housing, between the motor and the tabletop.

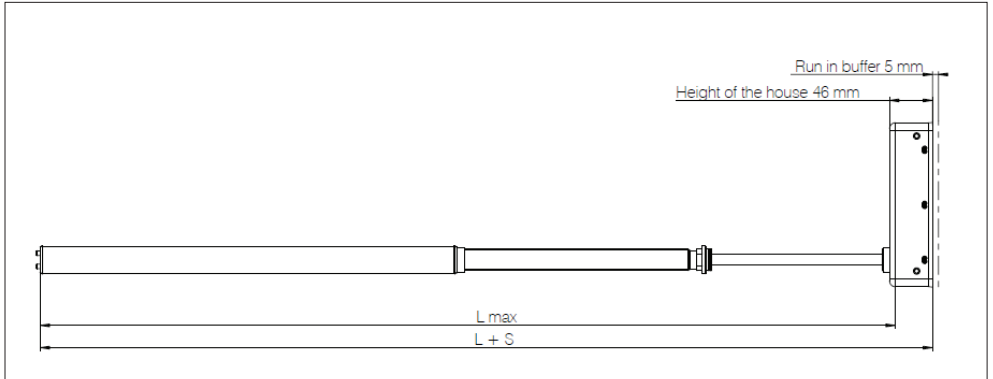


The endstop system in the DB6 is based on a buffer system meaning that you must be aware of the lengths when initialising. The products must be able to drive:

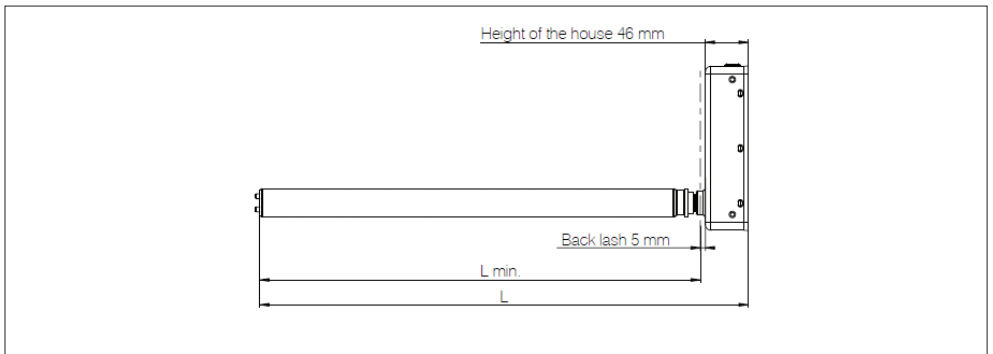
Inward direction: built-in dimension - tolerances - 5 mm

Outward direction: built-in dimension + stroke length + tolerances + 5 mm

DB6 (fully extended)

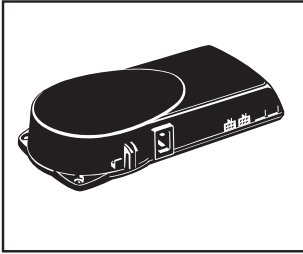


DB6 (fully retracted)



## Mounting guidelines CBD4/CBD5/CBD6

The control box is to be fastened with 4 screws (3 screws for CBD5 and CBD6) with a head diameter between  $\varnothing 8$  and  $\varnothing 10$  mm. Out of regard for the tension surface  $\varnothing 10$  mm is preferable due to lower surface tension. See drawing appendix for placing of mounting holes and the space the CBD takes up.



CBD4 - Control box



CBD5 - Control box

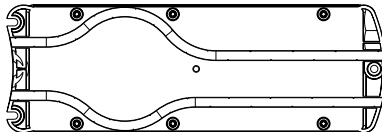


CBD6 - Control box

The CBD must not be packed in heat insulating material, but must be placed so that it can emit waste heat into the surroundings. There are no ventilation holes to consider, the CBD emits heat through the surface. The plug must be visible when the CBD is mounted so that the supply to the CBD can be disconnected at replacement, if any. The mounting screws on the control box must be fastened with a max. torque of 1 Nm. The mounting surface to which the control box is attached should have a surface evenness of better than  $\pm 0.5$  mm.

### **CBD6 - bottom with cable grooves**

The bottom of CBD6 is equipped with two cable grooves improving the cable management when mounting. The grooves can be used to bypass the CBD for both motorcables and the mains cable (EU version only) from one side to the other, giving a cleaner design.



Remember to lead the cables through the grooves before mounting the control box.

**For mounting and operation of the desk panel, please see the separate user manual for desk panels.**



## Electrical connection of the DB5/DB6 system:

The DESKLINE® DB5/DB6 system is to be connected as shown on figure 5. Each DB5/DB6 is to be connected to the sockets on the control box by means of the motor cables, which have an 6-pin plug in each end. All DB5/DB6 actuators are connected on the same side on the control box.

Finally the mains cable is to be mounted and power switched on.



Please note that the control box must only be connected to the voltage stated on the label.



Voltage must not be connected to CBD4/CBD5 until all actuators/legs have been connected. This must be observed to ensure that CBD4/CBD5 can detect, which actuators/legs have been connected.

### CBD4/CBD5/CBD6 with earth

The CBD4/CBD5/CBD6 earth cable to be mounted on the desk construction (typically the top frame) in a way that ensures good electrical contact. The function of the earth cable is to earth the desk and ground static electricity. The earth connection does not protect other electrical products.



### CBD4/CBD5 with mains cut-off (non ZERO models)

If the power cable is damaged it has to be replaced by an authorized LINAK service centre to avoid any danger.

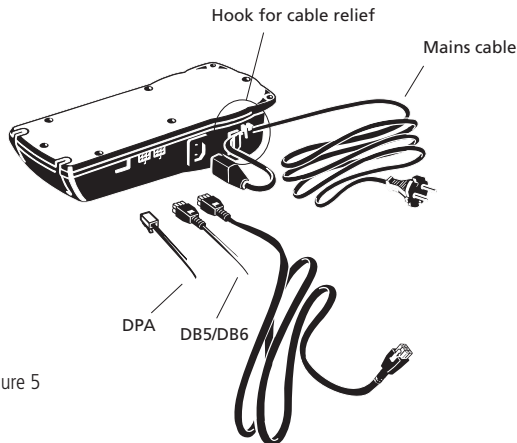


Figure 5

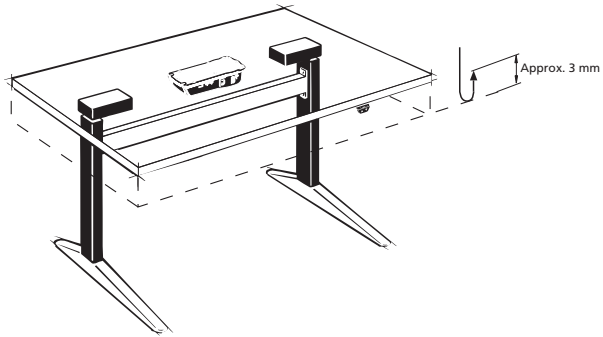
## Initialisation of the DESKLINE DB5/DB6 parallel systems

The DESKLINE system is initialised by pressing the down key once or twice and holding it down until DB5/DB6 runs into end stop, it will then automatically run approx. 3 mm out again. Only release the down key when the movement has completely stopped.



If the key is released before the sequence is complete then the initialisation is interrupted and must be started again from the beginning.

It is sometimes necessary to press the down key twice to start the initialisation, this is because the system can be in different modes when the initialisation starts.



The CBD5 and CBD6 can control the DB5 and the DB6 in 2 parallel while the CBD4 can control the DB5 and the DB6 in 2, 3 and 4 parallel so that the desk is always kept horizontal.

## Accessories

### Ordering accessories

Order from your nearest LINAK® dealer or subsidiary.

### Accessories

Please contact your nearest LINAK dealer for information.



### Warning!

By unauthorised opening of the system there is a risk that it may malfunction at a later date.

### Spare parts

Please contact your nearest LINAK dealer for information on spare parts.

## Disposal of LINAK's products

As LINAK's customers often ask us how our products can be disposed of or scrapped we have prepared this guidance that enables a classification to different waste fractions for recycling or combustion.

### Guidance

We recommend that our products be disassembled as much as possible and divided into different waste groups for recycling or combustion.

For example, waste can be sorted into metals, plastics, cable scrap, combustible material, and recoverable resources.

Some of these main groups can be further divided into subgroups; e.g. metal can be divided into steel/aluminium/copper and plastic can be divided into ABS/PA/PE/PP.

As an example, the table below breaks down the different components in LINAK products to various recycling groups:

Product	Components	Recycling group
<b>Columns/ Actuator :</b>	Spindle and motor Plastic housing Cable PCB boards	Scrap Plastic recycling or combustion Cable scrap or combustion Electronics scrap
<b>Control Box :</b>	PCB boards Plastic housing Cable Transformer	Electronics scrap Plastic recycling or combustion Cable scrap or combustion Metal scrap
<b>Handset/Control :</b>	Plastic housing Cable PCB board	Plastic recycling or combustion Cable scrap or combustion Electronics scrap

By now almost all our casted plastic parts are supplied with an interior code for plastic type and fibre contents, if any.

## Main groups of disposal

Product main groups	Metal scrap	Cable scrap	Electronics scrap	Plastic recycling or combustin	Comments
<b>DB5/DB6</b>	X	X	X	X	
<b>CBD4/CBD5/CBD6</b>	X	X	X	X	
<b>DPXX</b>		X	X	X	
<b>WDPL</b>		X	X	X	

## Disposal of batteries

Details regarding safe disposal of used and leaking batteries:

Batteries should be disposed in accordance with appropriate federal, state and local regulations. LINAK recommends that used or leaking batteries are disposed through local recycling system. Please do not throw used or leaking batteries in normal household waste or in nature. This will cause damage to the environment.

### How to deal with leaking batteries.

Leaking batteries should be disposed as described above.

If leaking batteries are discovered in the product the batteries must be removed at once to minimise damage to the product. If leaking batteries are left in the product it might become defect.

It is recommended to use plastic gloves when handling leaking batteries. The contents of a leaking batteries can cause chemical burns and respiratory irritation.

If exposed to the contents of a leaking battery, please wash with soap and water. If irritation persists, please seek medical attention. In case of eye contact, please flush eyes thoroughly with water for 15 minutes and seek medical attention."

Label for DB5

**LINAK®**  
WE IMPROVE YOUR LIFE

Item No. : DB500B000500620  
Prod. Date : 2006.05.09  
Max Load : 800 N  
Power Rate : 18 V $\approx$  / 10 Amp  
Duty Cycle : 10%, Max. 2 min./18 min.  
NOT TO BE OPENED BY UNAUTHORIZED PERSONNEL

P.O.123456-0001 MADE BY LINAK A/S DENMARK

Label for DB6

**LINAK®**  
WE IMPROVE YOUR LIFE

Item No. : DB600B000650530  
Prod. Date : 2006.05.09  
Max Load : 800 N  
Power Rate : 18 V $\approx$  / 10 Amp  
Duty Cycle : 10%, Max. 2 min./18 min.  
NOT TO BE OPENED BY UNAUTHORIZED PERSONNEL

P.O.123456-0000 MADE BY LINAK A/S DENMARK

Label for CBD4

**LINAK®**  
WE IMPROVE YOUR LIFE  
DESIGNED IN DENMARK

Item : CBD4P00020A-109  
Date : YYYY.MM.DD  
U In : 120 V $\approx$ , 60 Hz  
P In : 400 W  
U Out : 12-24 V $\approx$   
Op. : 10%, Max. 2 min./18 min.  
S.W. P/N.: 0077432 Ver. 1.22


**CAUTION:**  
DOUBLE INSULATED - WHEN SERVICING USE ONLY  
IDENTICAL REPLACEMENT PARTS  
NOT TO BE OPENED BY UNAUTHORIZED PERSONNEL

P.O. xxxxxxxx ASSEMBLED IN XX YY

**LINAK®**  
WE IMPROVE YOUR LIFE  
DESIGNED IN DENMARK

Item : CBD4P00020A-009  
Date : YYYY.MM.DD  
U In : 230 V $\approx$ , 50 Hz  
P In : 400 W  
U Out : 12-24 V $\approx$   
Op. : 10%, Max. 2 min./18 min.  
S.W. P/N.: 0077432 Ver. 1.22


**CAUTION:**  
DOUBLE INSULATED - WHEN SERVICING USE ONLY  
IDENTICAL REPLACEMENT PARTS  
NOT TO BE OPENED BY UNAUTHORIZED PERSONNEL

P.O. xxxxxxxx ASSEMBLED IN XX YY

Label for CBD5

**LINAK®**  
WE IMPROVE YOUR LIFE  
DESIGNED IN DENMARK

Item : CBD5P00020A-109  
Date : 11.01.31  
U In : 120 V $\approx$ , 60Hz  
P In : 500 W  
U Out : 12-24 V $\approx$   
Op. : 10%, Max. 2min./18min.  
S.W. P/N.: 0077432 Ver.1.22


**CAUTION:**  
DOUBLE INSULATED - WHEN SERVICING USE ONLY  
IDENTICAL REPLACEMENT PARTS  
NOT TO BE OPENED BY UNAUTHORIZED PERSONNEL

P.O. 123456 ASSEMBLED IN EU 01

**LINAK®**  
WE IMPROVE YOUR LIFE  
DESIGNED IN DENMARK

Item : CBD5P00020A-009  
Date : 11.01.31  
U In : 230 V $\approx$ , 50Hz  
P In : 500 W  
U Out : 12-24 V $\approx$   
Op. : 10%, Max. 2min./18min.  
S.W. P/N.: 0077432 Ver.1.22

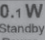

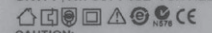

**CAUTION:**  
DOUBLE INSULATED - WHEN SERVICING USE ONLY  
IDENTICAL REPLACEMENT PARTS  
NOT TO BE OPENED BY UNAUTHORIZED PERSONNEL

P.O. 123456 ASSEMBLED IN EU 01

Label for CBD6

**LINAK®**  
WE IMPROVE YOUR LIFE  
DESIGNED IN DENMARK

Item : CBD6P00020A-109  
Date : 11.01.31  
U In : 120 V $\approx$ , 60Hz  
P In : 375 W  
U Out : 12-24 V $\approx$   
Op. : 10%, Max. 2min./18min.  
S.W. P/N.: 0077432 Ver.1.22

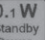


  
  


**CAUTION:**  
DOUBLE INSULATED - WHEN SERVICING USE ONLY  
IDENTICAL REPLACEMENT PARTS  
NOT TO BE OPENED BY UNAUTHORIZED PERSONNEL

P.O. 123456 ASSEMBLED IN EU 01

**LINAK®**  
WE IMPROVE YOUR LIFE  
DESIGNED IN DENMARK

Item : CBD6P00020A-009  
Date : 11.01.31  
U In : 230 V $\approx$ , 50Hz  
P In : 375 W  
U Out : 12-24 V $\approx$   
Op. : 10%, Max. 2min./18min.  
S.W. P/N.: 0077432 Ver.1.22

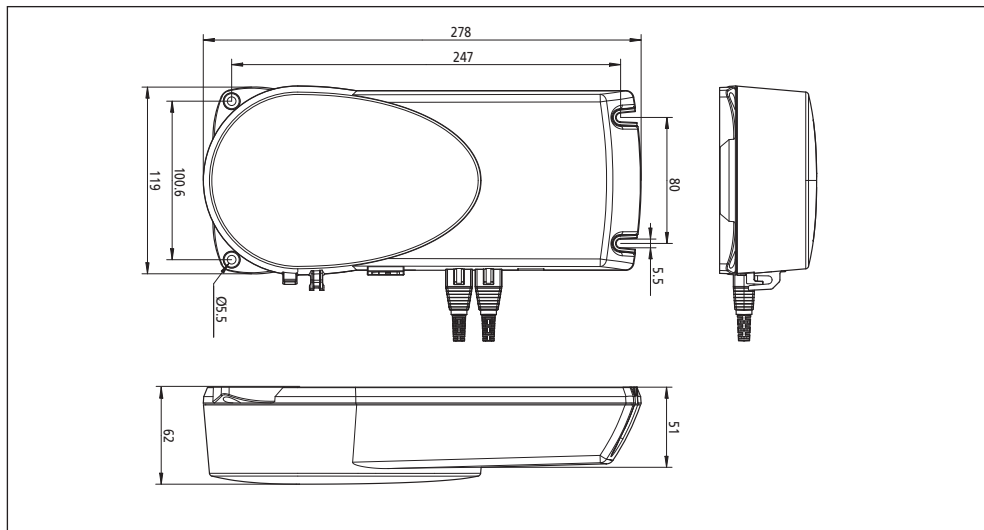
  
  
  


**CAUTION:**  
DOUBLE INSULATED - WHEN SERVICING USE ONLY  
IDENTICAL REPLACEMENT PARTS  
NOT TO BE OPENED BY UNAUTHORIZED PERSONNEL

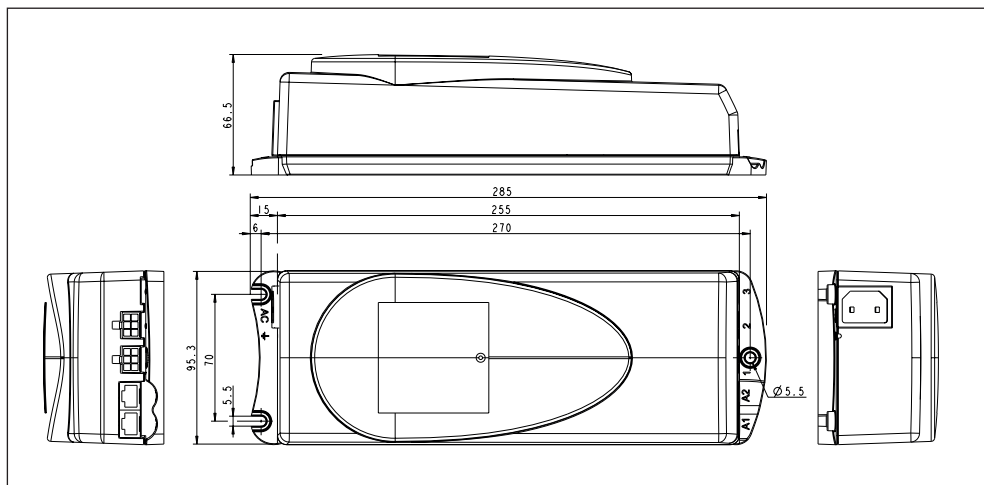
P.O. 123456 ASSEMBLED IN EU 01

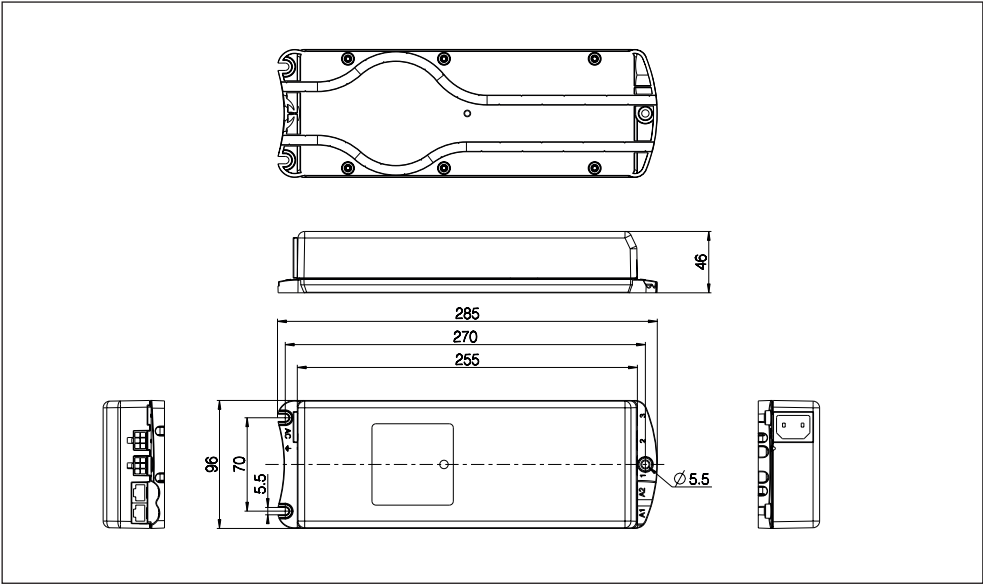


CBD4



CBD5







# DECLARATION OF CONFORMITY

LINAK A/S  
Smedevænget 8  
DK - 6430 Nordborg

hereby declares that LINAK Actuator System composed of:

Control Box(s)            CBD6SP00020A-309  
                                  CBD6S\*000\*0A-709

(The "\*" in the product description can either be a character or a number, thereby defining the variation of the product)

And

Linear Actuator(s)        31, DB4, DB5, DB6, DB7, DB9, DB12, DB14, DB16, LA23 series    and / or  
Lifting Column(s) DL1A, DL2, DL4, DL5, DL6, DL7, DL8, DL9, DL10, DL11, DL12, DL14, DL15, DL16, DL17, DL19,  
                                  BASE1 series

And

Desk Panel(s)            DP1C, DP1K, DP1L, DP1V, DP1U, DPA, DPB, DPF, DPG, DPH, DPT, WDPL1 series

complies with EMC Directive: 2014/30/EU according to following standards:  
EN 61000-6-1:2007, EN 61000-6-3:2007+A1:2011+AC:2012

complies with Low Voltage Directive 2014/35/EU according to the standard:  
EN 60335-1:2012+A11:2014

complies with RoHS2 Directive 2011/65/EU according to the standard:  
EN 5558 1:2012

Additional information:

The system does also comply with the standard: EN 13849-1:2015 SRP/CS Cat. B, PL = b and SRESW PL = b  
Note 1: Exempted CBD6S with SW03003007 printed on the label.

Nordborg, 2017-12-08



**LINAK A/S**  
John Kling, B.Sc.E.E.  
Certification and Regulatory Affairs  
Authorized to compile the relevant technical documentation

Original Declaration

## **LINAK APPLICATION POLICY**

The purpose of the application policy is to define areas of responsibilities in relation to applying a LINAK product defined as hardware, software, technical advice, etc. related to an existing or new customer application.

LINAK products as defined above are applicable for a wide range of applications within the Medical, Furniture, Desk and Industry areas. Yet, LINAK cannot know all the conditions under which LINAK products will be installed, used, and operated, as each individual application is unique.

The suitability and functionality of the LINAK product and its performance under varying conditions (application, vibration, load, humidity, temperature, frequency, etc.) can only be verified by testing, and shall ultimately be the responsibility of the LINAK customer using any LINAK product.

LINAK shall be responsible solely that the LINAK products comply with the specifications set out by LINAK and it shall be the responsibility of the LINAK customer to ensure that the specific LINAK product can be used for the application in question.



## FACTORIES

### • Denmark

LINAK A/S  
Group Headquarters  
Tel: +45 73 15 15 15  
Fax: +45 74 45 80 48  
Fax (Sales): +45 73 15 16 13  
[www.linak.com](http://www.linak.com)

### • Denmark

LINAK Profiles  
Tel: +45 73 70 95 30  
[www.linak-profiles.com](http://www.linak-profiles.com)

### • China

LINAK (Shenzhen) Actuator Systems, Ltd.  
Tel: +86 755 8610 6656  
Fax: +86 755 8610 6990  
[www.linak.cn](http://www.linak.cn)

### • Slovakia

LINAK Slovakia s.r.o.  
Tel: +421 51 7563 444  
Fax: +421 517563 410  
[www.linak.sk](http://www.linak.sk)

### • Thailand

LINAK APAC Ltd.  
Tel: +66 33 265 400  
[www.linak.com](http://www.linak.com)

### • USA

**LINAK U.S. Inc.**  
Americas Headquarters  
Tel: +1 502 253 5595  
Fax: +1 502 253 5596  
[www.linak-us.com](http://www.linak-us.com)

## SUBSIDIARIES

### • Australia

LINAK Australia Pty. Ltd  
Tel: +61 3 8796 9777  
Fax: +61 3 8796 9778  
[www.linak.com.au](http://www.linak.com.au)

### • Austria

LINAK Repräsentanz  
Österreich (Wien)  
Tel: +43 (1) 890 7446  
Fax: +43 (1) 890 744615  
[www.linak.at](http://www.linak.at) - [www.linak.hu](http://www.linak.hu)

### • Belgium

LINAK Benelux  
(Belgium & Luxembourg)  
Tel: +32 (0)9 230 01 09  
[www.linak.be](http://www.linak.be) - [www.fr.linak.be](http://www.fr.linak.be)

### • Brazil

LINAK Do Brasil Comércio De Atuadores Ltda.  
Tel: +55 (11) 2832 7070  
Fax: +55 (11) 2832 7060  
[www.linak.com.br](http://www.linak.com.br)

### • Canada

LINAK Canada Inc.  
Tel: +1 502 253 5595  
Fax: +1 416 255 7720  
[www.linak-us.com](http://www.linak-us.com)

### • China

LINAK (Shenzhen) Actuator Systems, Ltd.  
Tel: +86 755 8610 6656  
Fax: +86 755 8610 6990  
[www.linak.cn](http://www.linak.cn)

### • Czech Republic

LINAK C&S s.r.o.  
Tel: +42 058 174 1814  
Fax: +42 058 170 2452  
[www.linak.cz](http://www.linak.cz) - [www.linak.sk](http://www.linak.sk)

### • Denmark - Headquarters

LINAK A/S - Group Headquarters  
Tel: +45 73 15 15 15  
Fax: +45 74 45 80 48  
Fax (Sales): +45 73 15 16 13  
[www.linak.com](http://www.linak.com)

### • Denmark - International

LINAK International  
Tel: +45 73 15 15 15  
[www.linak.com](http://www.linak.com)

### • Denmark - Sales

LINAK DANMARK A/S  
Tel: +45 86 80 36 11  
Fax: +45 86 82 90 51  
[www.linak.dk](http://www.linak.dk)

### • Finland

LINAK OY  
Tel: +358 10 841 8700  
[www.linak.fi](http://www.linak.fi)

### • France

LINAK FRANCE E.U.R.L  
Tel: +33 (0) 2 41 36 34 34  
Fax: +33 (0) 2 41 36 35 00  
[www.linak.fr](http://www.linak.fr)

### • Germany

LINAK GmbH  
Tel: +49 6043 9655 0  
Fax: +49 6043 9655 60  
[www.linak.de](http://www.linak.de)

### • India

LINAK A/S India Liaison Office  
Tel: +91 120 4531797  
Fax: +91 120 4786428  
[www.linak.in](http://www.linak.in)

### • Ireland

LINAK UK Limited (Ireland)  
Tel: +44 (0)121 544 2211  
Fax: +44 (0)121 544 2552  
+44 (0)796 855 1606 (UK Mobile)  
+35 387 634 6554 (Republic of Ireland Mobile)  
[www.linak.co.uk](http://www.linak.co.uk)

### • Italy

LINAK ITALIA S.r.l.  
Tel: +39 02 48 46 33 66  
Fax: +39 02 48 46 82 52  
[www.linak.it](http://www.linak.it)

### • Japan

LINAK K.K.  
Tel: 81-45-533-0802  
Fax: 81-45-533-0803  
[www.linak.jp](http://www.linak.jp)

### • Malaysia

LINAK Actuators Sdn. Bhd.  
Tel: +60 4 210 6500  
Fax: +60 4 226 8901  
[www.linak.my](http://www.linak.my)

### • Netherlands

LINAK Benelux  
Tel: +31 76 5 42 44 40  
[www.linak.nl](http://www.linak.nl)

### • New Zealand

LINAK New Zealand Ltd  
Tel: +64 9580 2071  
Fax: +64 9580 2072  
[www.linak.com.au](http://www.linak.com.au)

### • Norway

LINAK Norge AS  
Tel: +47 32 82 90 90  
[www.linak.no](http://www.linak.no)

### • Poland

LINAK Polska  
LINAK Danmark A/S (Spółka Akcyjna)  
Tel: +48 22 295 09 70/22 295 09 71  
[www.linak.pl](http://www.linak.pl)

### • Republic of Korea

LINAK Korea Ltd.  
Tel: +82 2 6231 1515  
Fax: +82 2 6231 1516  
[www.linak.kr](http://www.linak.kr)

### • Russia

LINAK LLC  
Tel: +7 495 780 3161  
Fax: +7 495 687 1426  
[www.linak.ru](http://www.linak.ru)

### • Slovakia

LINAK Slovakia s.r.o.  
Tel: +421 51 7563 444  
[www.linak.sk](http://www.linak.sk)

### • Spain

LINAK Actuadores, S.L.u  
Tel: +34 93 588 27 77  
Fax: +34 93 588 27 85  
[www.linak.es](http://www.linak.es)

### • Sweden

LINAK Scandinavia AB  
Tel: +46 8 732 20 00  
Fax: +46 8 732 20 50  
[www.linak.se](http://www.linak.se)

### • Switzerland

LINAK AG  
Tel: +41 43 388 31 88  
Fax: +41 43 388 31 87  
[www.linak.ch](http://www.linak.ch) - [www.fr.linak.ch](http://www.fr.linak.ch)  
[www.it.linak.ch](http://www.it.linak.ch)

### • Taiwan

LINAK (Shenzhen) Actuator systems Ltd.  
Taiwan Representative office  
Tel: +886 2 27290068  
Fax: +886 2 27290096  
[www.linak.tw](http://www.linak.tw)

### • Thailand

LINAK APAC Ltd.  
Tel: +66 33 265 400

### • Turkey

LINAK İth. İhr. San. ve Tic. A.Ş.  
Tel: +90 312 4726338  
Fax: +90 312 4726635  
[www.linak.com.tr](http://www.linak.com.tr)

### • United Kingdom

LINAK UK Limited  
Tel: +44 (0)121 544 2211  
Fax: +44 (0)121 544 2552  
[www.linak.co.uk](http://www.linak.co.uk)

### • USA

**LINAK U.S. Inc.**  
North and South American Headquarters  
Tel: +1 502 253 5595  
Fax: +1 502 253 5596  
[www.linak-us.com](http://www.linak-us.com)  
[www.linak-latinamerica.com](http://www.linak-latinamerica.com)

## DISTRIBUTORS

### • Argentina

NOVOTEC ARGENTINA SRL  
Tel: 011-4303-8989/8900  
Fax: 011-4032-0184  
[www.novotecargentina.com](http://www.novotecargentina.com)

### • Colombia

MEM Ltda  
Tel: +[57] (1) 334-7666  
Fax: +[57] (1) 282-1684  
[www.mem.net.co](http://www.mem.net.co)

### • India

Mechatronics Control Equipments India Pvt Ltd  
Tel: +91-44-28558484, 85  
[www.mechatronicscontrol.com](http://www.mechatronicscontrol.com)

### • Indonesia

PT. HIMALAYA EVEREST JAYA  
Tel: +6 221 544 8956/221 544 8965  
Fax: +6 221 619 1925  
Fax (Sales): +6 221 619 4658  
[www.hej.co.id](http://www.hej.co.id)

### • Iraq

Scan Medical Tech  
Tel: +964 770 470 2202

### • Israel

NetivTech LTD  
Tel: +972 55-2266-535  
Fax: +972 2-9900-560  
[www.netivtech.com](http://www.netivtech.com)

### • Kingdom of Bahrain

Mechatronics Industrial Equipments  
Tel: +973 17280059  
Fax: +973 17910045  
[www.mechatronicsbh.com](http://www.mechatronicsbh.com)

### • Qatar

Mechatronics Industrial Equipments  
Tel: +974 44581155  
Fax: +974 44689135  
[www.mechatronicsqatar.com](http://www.mechatronicsqatar.com)

### • Russia

OOO FAM  
Tel: +7 812 3319333  
Fax: +7 812 3271454  
[www.fam-drive.ru](http://www.fam-drive.ru)

### • Singapore

Servo Dynamics Pte Ltd  
Tel: +65 6844 0288  
Fax (Sales): +65 6844 0070

### • South Africa

Industrial Specialised Applications CC  
Tel: +27 011 466 0346  
[www.isaza.co.za](http://www.isaza.co.za)

### • United Arab Emirates

Mechatronics Industrial Equipments LLC  
Tel: +971 4 267 4311  
Fax: +971 4 267 4312  
[www.mechatronics.ae](http://www.mechatronics.ae)

LINAK® accepts no responsibility for possible errors or inaccuracies in catalogues, brochures, and other material. LINAK reserves the right to change its products without prior notice. LINAK cannot guarantee product availability and reserves the right to discontinue the sale of any product. The user is responsible for determining the suitability of LINAK products for a specific application. All sales are subject to the 'Standard Terms of Sale and Delivery', available on LINAK websites.

LINAK and the LINAK logotype are registered trademarks of LINAK A/S. All rights reserved.

**LINAK®** 

WE IMPROVE YOUR LIFE