

DL12, DL14, DB14 and DL17 system
with CBD4, CBD5 or CBD6
User manual

Contents

Preface	3
Valid for	4
Important information	5
Safety instructions	5
General	5
Before installation, reinstallation or troubleshooting	6
Before start-up	6
During operation.....	6
Misc.	6
Only for EU markets	7
Only for Non EU markets	7
Misuse	7
Repairs	8
Manufacturer's declaration	8
Misc. on the DESKLINE® system	9
Warranty.....	9
Maintenance.....	9
Description of the DESKLINE® system	10
Mounting guidelines for the DL14 system	11
Mounting top	11
Mounting foot	13
Mounting guidelines for the DL12 system	14
Mounting top	14
Mounting foot	14
Mounting guidelines for the DL17 system	15
Mounting top	15
Mounting foot	15
Mounting guidelines for the DB14	17
Mounting guidelines for the CBD4/CBD5/CBD6	19
Electrical connection of the DB/DL system	20
Initialisation of the DESKLINE parallel system	21
Anti-Collision™	22
PIEZO™ : description of the feature	23
Accessories and repair	24
Disposal of LINAK products	25
Labels	26
Drawing appendix	27
Declaration of conformity	34
Addresses	36

Preface

Dear User,

We are delighted that you have chosen a product from LINAK®. LINAK systems are high-tech products based on many years of experience in the manufacture and development of actuators, electric control boxes, controls and chargers.

This User Manual does not address the end-user. It is intended as a source of information for the manufacturer of the equipment or system only, and it will tell you how to install, use and maintain your LINAK electronics. It is the responsibility of the manufacturer of the end-use product to provide a User Manual where relevant safety information from this manual is passed on to the end-user.

We are sure that your LINAK product/system will give you many years of problem-free operation. Before our products leave the factory they undergo full function and quality testing. Should you nevertheless experience problems with your LINAK product/system, you are always welcome to contact your local dealer.

LINAK subsidiaries and some distributors situated all over the world have authorised service centres, which are always ready to help you.

LINAK provides a warranty on all its products. This warranty, however, is subject to correct use in accordance with the specifications, maintenance being done correctly and any repairs being carried out at a service centre, which is authorised to repair LINAK products.

Changes in installation and use of LINAK products/systems can affect their operation and durability. The products are not to be opened by unauthorised personnel.

The User Manual has been written based on our present technical knowledge. We are constantly working on updating the information and we therefore reserve the right to carry out technical modifications.

LINAK A/S

Valid for:

This User Manual is valid for the following products:

(See the first 3 - 5 characters on the label)

Columns: DL12, DL14, DL17

Built-in actuators: DB14

Control boxes: CBD4, CBD5, CBD6

Controls: DP1U/DPF1M (if memory function is required),
DP1C//DPT/DPF1C (if memory function and display are required) or
DPA/DPB/DP1K/DP1V/DPFK (if only up/down is required)
DPF1D (if display is required)

Important information

Important information on LINAK® products can be found under the following headings:



Warning!

Failure to comply with these instructions may result in accidents involving serious personal injury.



Failing to follow these instructions can result in the product being damaged or being destroyed.

Safety instructions



General

Safe use of the system is possible only when the operating instructions are read completely and the instructions contained are strictly observed.

Failure to comply with instructions marked with the "NOTE" symbol may result in serious damage to the system or one of its components.



It is important for everyone who is to connect, install or use the systems to have the necessary information and access to this User Manual. Follow the instructions for mounting – risk of injury if these instructions are not followed.



The appliance is not intended for use by young children or infirm persons without supervision.



If there is visible damage on the product, it must not be installed.



Note that during construction of applications, in which the actuator is to be fitted, there must be no possibility of personal injury, for example squeezing of fingers or arms.



Assure free space for movement of applications in both directions to avoid blockade.

Before installation, reinstallation, or troubleshooting

- Stop the DB/DL.
- Switch off the power supply and pull out the mains plug.
- Relieve the DB/DL of any loads, which may be released during the work.

Before start-up:

- Make sure that the system has been installed as instructed in this User Manual.
- Make sure that the voltage at the control box is correct before the system is connected to the mains.
- System connection. The individual parts must be connected before the control box is connected to the mains. See the User Manual for LINAK actuators, if necessary.

During operation:

- If the control box makes unusual noises or smells, switch off the mains voltage immediately.
- Take care that the cables are not damaged.
- Unplug the mains cable on mobile equipment before it is moved.

Misc.

The actuator system has a sound level below 55dB(A) in typical applications.

Updated manuals and declarations can always be found here:
www.linak.com/deskline

Only for EU markets



This appliance can be used by children aged from 8 years and above and persons with reduced physical, sensory or mental capabilities or lack of experience and knowledge if they have given supervision or instruction concerning the use of the appliance in a safe way and understand the hazards involved.



Children shall not play with the appliance. Cleaning and user maintenance shall not be made by children without supervision.

Only for Non EU markets



Persons who do not have the necessary experience or knowledge of the product/products must not use the product/products. Besides, persons with reduced physical, sensory or mental abilities must not use the product/products, unless they are under surveillance or they have been thoroughly instructed in the use of the apparatus by a person who is responsible for the safety of these persons.



Moreover, children must be under surveillance to ensure that they do not play with the product.



It is the operator's responsibility to ensure that there is free space for the application to move without risk for the operator or bystanders before operating the application.

Misuse



Do not overload the actuators – this can cause danger of personal injury and damage to the system.



Do not use the actuator system for lifting persons. Do not sit or stand on a table while operating – risk of personal injury.



Do not use the system in environments other than the intended indoor use

Repairs

In order to avoid the risk of malfunction, all DESKLINE® repairs must only be carried out by authorised LINAK workshops or repairers, as special tools must be used and special gaskets must be fitted. Lifting units under warranty must also be returned to authorised LINAK workshops.



Warning!

If any of the DESKLINE® products are opened, there will be a risk of subsequent malfunction.



Warning!

The DESKLINE® systems do not withstand cutting oil.

DECLARATION OF INCORPORATION OF PARTLY COMPLETED MACHINERY

LINAK A/S
Smedevænget 8
DK - 6430 Nordborg

Name and address of the person authorized to compile the relevant technical documentation:
John Kling, Group Headquarters, Guderup, DK-6430 Nordborg, email jkl@linak.com

Herewith declares that LINAK Actuators and Actuator Systems comply with the following parts of the Machinery Directive 2006/42/EC, ANNEX I, *Essential health and safety requirements relating to the design and construction of machinery*:

1.5.1 Electricity supply: *Directive 2006/95/EC on the harmonization of the laws of Member States relating to electrical equipment designed for use within certain voltage limits.*

1.5.10 Radiation, 1.5.11 External radiation: *Directive 2004/108/EC on the approximation of the laws of the Member States relating to electromagnetic compatibility.*

The relevant technical documentation is compiled in accordance with part B of Annex VII and that this documentation or part hereof will be transmitted by post or electronically to a reasoned request by the national authorities.

This partly completed machinery must not be put into service until the final machinery into which it is to be incorporated has been declared in conformity with the provisions of this Directive, where appropriate.

Date: 2010-01-01

Signature:

John Kling
Certification and Regulatory Affairs

Misc. on the DESKLINE® system

Warranty - 60 months on DESKLINE® (NEW)

This will be valid for all DESKLINE® products produced after the 1st of May 2015.

Products produced before 1st of May 2015 will still be covered by 36 months.

Products used in DESKLINE application: If these products are used in another application, they will be covered by 18 months warranty.

If there is any doubt that returned products are within the warranty period it is to be treated as if they are covered by the warranty. We recommend that you use the date of the Control box or actuator as reference if possible. We will have our purchase no. printed on the label.

Maintenance

Clean dust and dirt on the outside of the system at appropriate intervals and inspect them for damage and breaks. Inspect the connections, cables and plugs and check for correct functioning as well as fixing points.

Service of double insulated products:



Class II

A Class II or **double insulated** electrical appliance is one which has been designed in such a way that it does not require a safety connection to electrical earth (US: ground).

The basic requirement is that no single failure can result in dangerous voltage becoming exposed so that it might cause an electric shock and that this is achieved without relying on an earthed metal casing. This is usually achieved at least in part by having two layers of insulating material surrounding live parts or by using reinforced insulation.

There is no earthing/grounding means provided on the product, and no earthing/grounding means is to be added to the product.

In Europe, a double insulated appliance must be labelled "Class II", "double insulated" or bear the double insulation symbol (a square inside another square).

Servicing a double-insulated product requires extreme care and knowledge of the system, and is to be done only by qualified service personnel. Replacement parts for a double insulated product must be identical to the parts they replace.



The cleaners and disinfectants must not be highly alkaline or acidic (pH value 6-8).

Description of the DESKLINE® system

Each DESKLINE® actuator/column is equipped with a motor and parallel/memory drive is ensured by means of software in the CBD4/CBD5/CBD6 that also takes account of an oblique load on the desk. Soft start and stop are also part of this software, which ensures a soft start and stop when adjusting the desk.

Application of the DESKLINE® system:

Irrespective of the load, the **duty cycle 10% ~ 6 min./ hour or max. 2 min. at continuous use** stated in the data sheets, must **NOT** be exceeded as this will result in a superheating of the motor and the control box. Exceeding the duty cycle will result in a dramatic reduction of the life of the system.

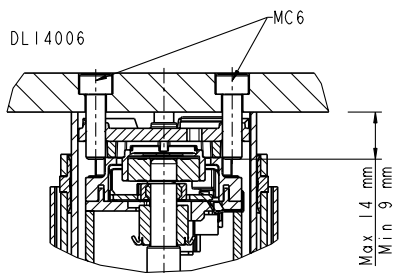
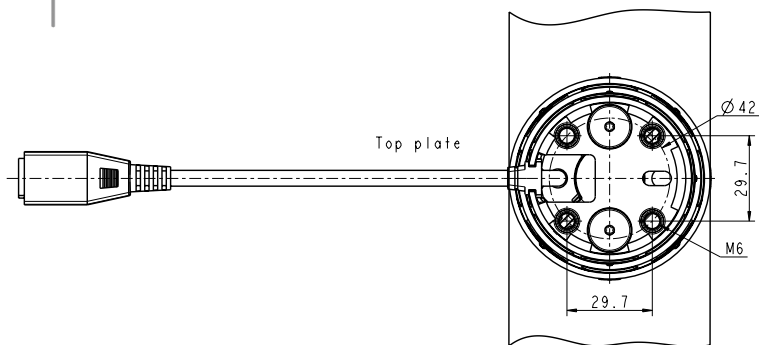
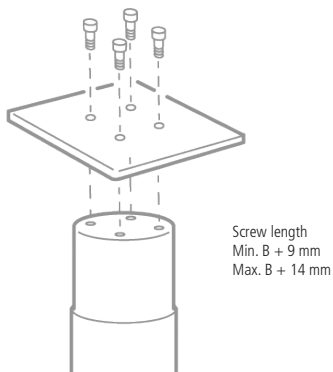
The DB/DL system range contains following products:

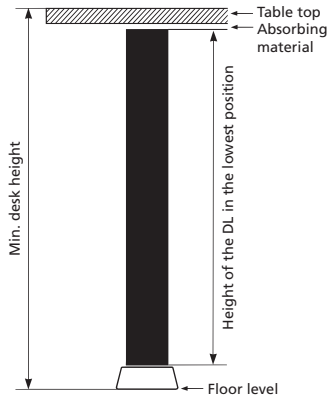
- 1 control box CBD4/CBD5/CBD6
- DL12, DL14, DB14 or DL17 (1 - 4)
- 1 exchangeable mains cable
- motor cables (1 - 4)
- 1 DP1U/DPF1M (if memory function is required) DP1C//DPT/DPF1C (if memory function and display are required) or 1 DPA/DPB/DP1K/DP1V/DPFK (if only up/down is required) or DPF1D (if display is required)

Mounting guidelines for the DL14 system

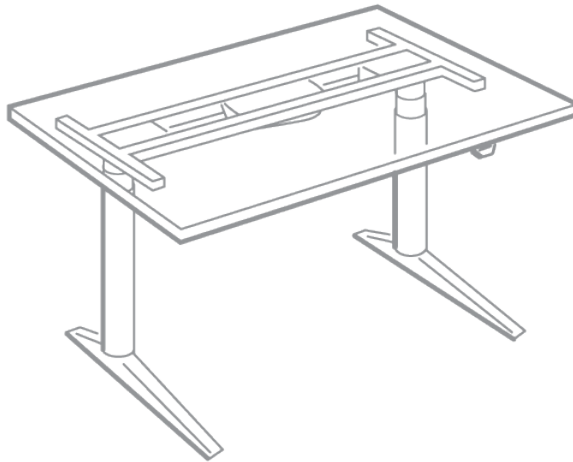
Mounting top

The top of the column is supplied with 4 M6 threaded holes meant for mounting onto the desk frame. We advise you to fasten the desk frame by means of 4 pcs. M6 screws of a good quality (min. 8.8) and of a suitable length, which must not go further than max. 14 mm into the column. The thrust moment must not exceed 10 Nm.





As the desktop amplifies the sound, we advise you to place a vibration/shock absorbing material between the desktop and the desk frame.



(Example of how to mount a 2-parallel DESKLINE® DL system)



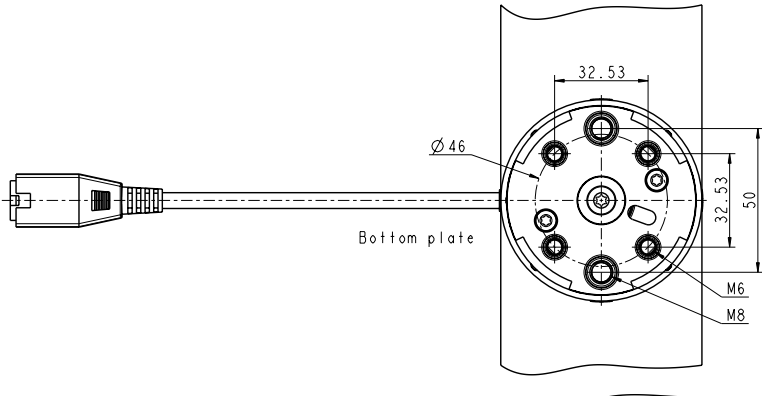
LINAK recommends that the DESKLINE® DL system should be used in push applications.

Mounting guidelines for the DL14 system

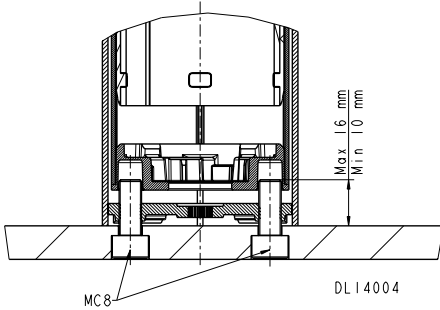
Mounting foot

The DL14 is supplied with 4 M6 threaded holes and 2 M8 screws for mounting of the foot. You can either use 2 M8 screws or 4 M6 screws dependent on your foot design. We advise you to use screws of a good quality min. 8.8 and of a suitable length, which must not go further than 16 mm into the DL14 column.

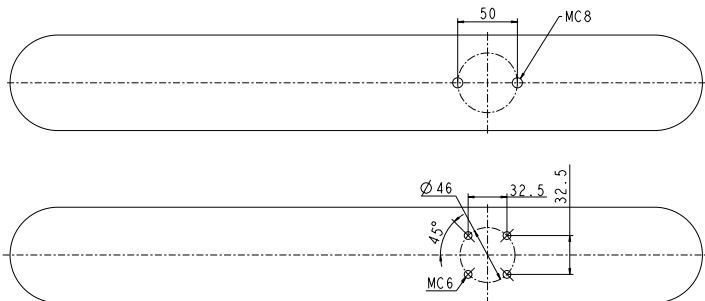
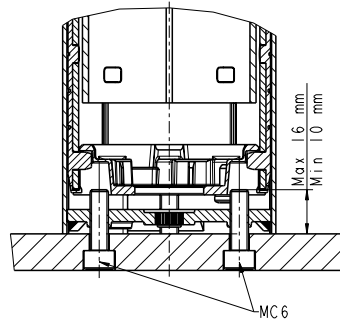
The thrust moment must not exceed 10 Nm in the bottom plate thread. The holes in the foot ought to be sufficiently larger than $\varnothing 6$ so that it is possible to bring the foot to a level line at assembly/mounting of the table.



Mounted with 2 x M8



Mounted with 4 x M6



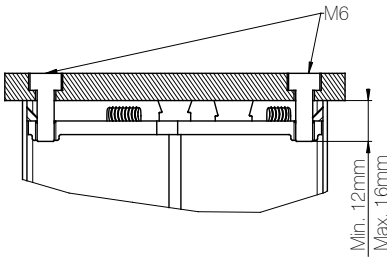
DL 14003

Mounting guidelines for the DL12 system

Mounting the top

The DL12 top plate is supplied with four M6 threaded holes for mounting onto the top frame.

1. Mount column top on top frame using four M6 bolts with the following specifications:
Quality: Min. grade 8.8
Length: Min. 12 mm (plus top frame thickness);
Max. 16 mm (plus top frame thickness)
2. Fasten bolts thoroughly (torque: max. 10 Nm).

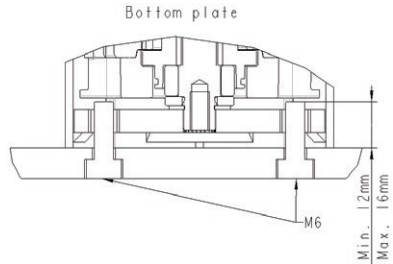


Mounting the feet

The DL12 bottom plate is supplied with four M6 threaded holes.

1. Mount column bottom on desk feet using four M6 bolts with the following specifications:
Quality: Min. grade 8.8
Length: Min. 12 mm (plus desk feet thickness);
Max. 16 mm (plus desk feet thickness)
2. Fasten bolts thoroughly (torque: max. 10 Nm).

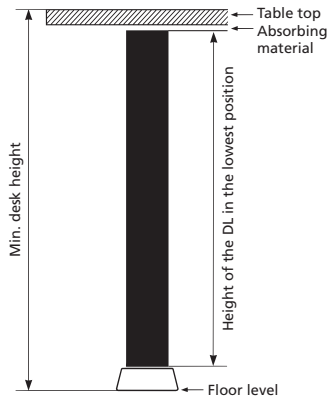
The holes in the foot must be sufficiently larger than $\varnothing 6$ to enable levelling of the assembled desk.



Mounting the desk

The sound from the lifting column spreads as vibrations to the tabletop which amplifies the sound. This can, however, be reduced.

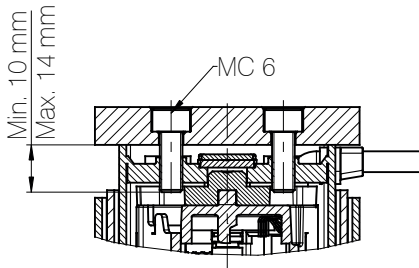
1. Place vibration/shock-absorbing material between tabletop and top frame.



Mounting guidelines for the DL17 system

Mounting top

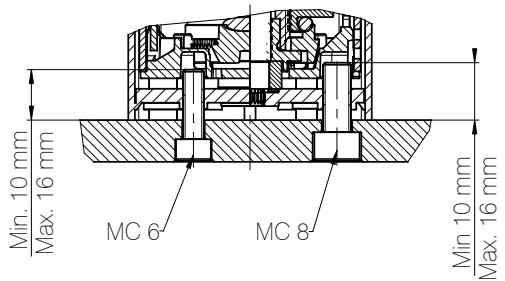
The top of the column is supplied with 4 x M6 threaded holes meant for mounting onto the desk frame. We advise you to fasten the desk frame by means of 4 x M6 screws of a good quality (min. 8.8) and of a suitable length of minimum 10 mm and must not go into the column further than maximum 14 mm. The screw torque must not exceed 10 Nm



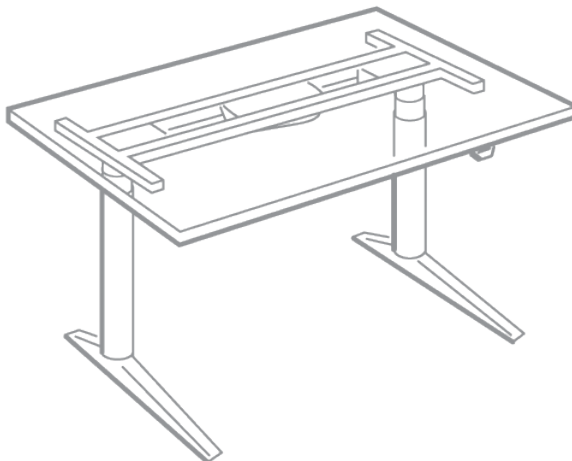
Mounting foot

The DL17 is supplied with 4 x M6 threaded holes and 2 x M8 screws for mounting of the foot. You can use either 2 x M8 screws or 4 x M6 screws dependent on your foot design. We advise you to use screws of a good quality min. 8.8 and of a suitable length, which must not go into the DL7 column further than 16 mm. The screw torque must not exceed 10 Nm in the bottom plate thread.

The holes in the foot ought to be sufficiently larger than (1)6 so that it is possible to bring the foot to a level line at assembly/mounting of the table.

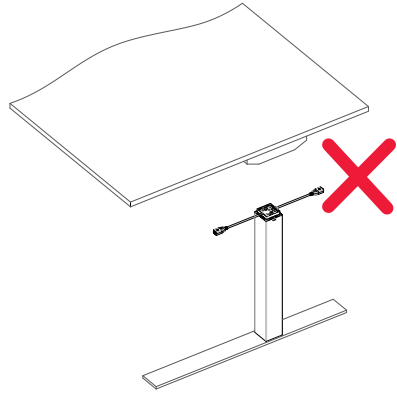
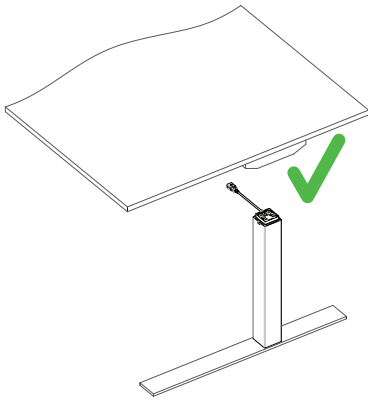


As the desktop amplifies the sound, we advise you to place a vibration/shock absorbing material between the desktop and the desk frame.



(Example of how to mount the DESKLINE® system)

When mounting the DL17 to the tabletop and feet, we recommend orienting the column, so the cable is pointing in direction of the centre of the desk.



Mounting guidelines for the DB14

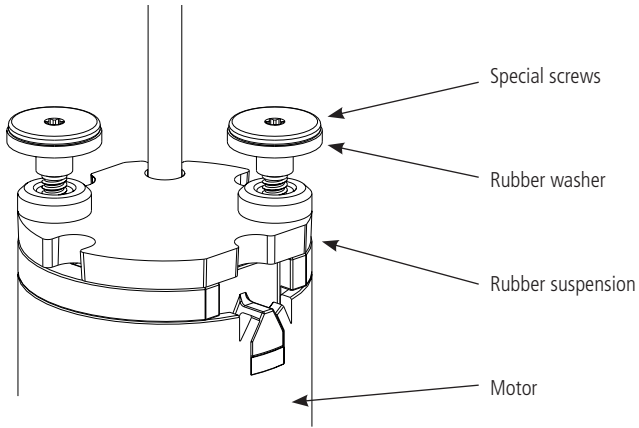


For detailed information on how to mount the DB14, please contact LINAK A/S.

The top of the motor is supplied with holes for the self-tapping special screws. These screws together with the 2 rubber washers are supplied with the DB14.

On the top of the motor there is the special rubber suspension, which should always be used when the DB14 is mounted in a column. The top flange where the motor is mounted must be 4 mm thick ± 0.1 mm, and the 2 mounting holes should be $\varnothing 12$ mm with a centre distance of 36 mm. The screw torque must be 2 Nm ± 0.1 Nm.

Top:

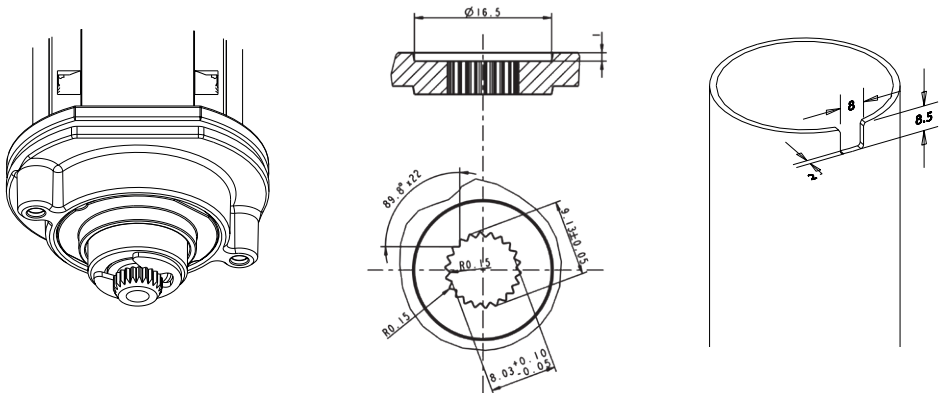


Middle tube:

For detailed information on how to mount the middle tube of your column, please contact LINAK A/S

Bottom:

At the bottom of the DB12 or the DB14 the inner spindle should be mounted by means of a 22-teeth spline profile and a M5 screw in the bottom of the spindle. The trust moment must not exceed 2.3 Nm.





The DB14 gives the possibility of synchronous drive of the middle profile - to make sure that the profiles are in the right place, you have to secure that both the hollow and the massive spindles are driven in the bottom position. For detailed information on how to mount the DB14, please contact LINAK A/S.



From the factory, the DB14 is delivered with the hollow spindle driven into end position. Please observe that the solid spindle may roll out during transportation/handling, but it must be rolled back to end position before mounting in the profile.



As the desktop amplifies the sound, we advise you to place a vibration/shock absorbing material between the desktop and the desk frame



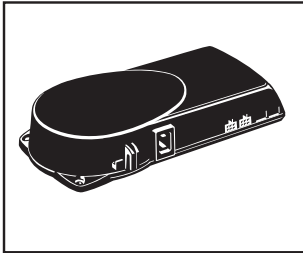
Do not drive the DB14 to the outer end position before mounting. This will result in damaging the DB.



Example of how to mount the DESKLINE® system

Mounting guidelines CBD4/CBD5/CBD6

The control box is to be fastened with 4 screws (3 screws for the CBD5 and the CBD6) with a head diameter between $\varnothing 8$ and $\varnothing 10$ mm. Out of regard for the surface tension $\varnothing 10$ mm is preferable due to lower surface tension. See drawing appendix for placing of mounting holes and the space the CBD takes up.



CBD4 - Control box



CBD5 - Control box

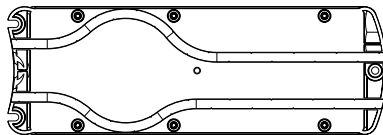


CBD6 - Control box

The CBD must not be packed in heat insulating material, but must be placed so that it can emit waste heat into the surroundings. There are no ventilation holes to consider, the CBD emits heat through the surface. The plug must be visible when the CBD is mounted so that the supply to the CBD can be disconnected at replacement, if any. The mounting screws on the control box must be fastened with a max. torque of 1 Nm. The mounting surface to which the control box is attached should have a surface evenness of better than ± 0.5 mm.

CBD5/CBD6 - bottom with cable grooves

The bottom of the CBD5/CBD6 is equipped with two cable grooves improving the cable management when mounting. The grooves can be used to bypass the CBD for both motor cables and the mains cable (EU version only) from one side to the other, giving a cleaner design.



Remember to lead the cables through the grooves before mounting the control box.

For mounting and operation of the desk panel, please see the separate user manual for desk panels.

Electrical connection of the DB/DL system

The DB/DL system is to be connected as shown on figure 7. The DB/DL is to be connected to the sockets on the control box by means of the motor cables, which have a 6-pin plug in each end.



Finally, the mains cable is to be mounted and power switched on. Please note that the control box must only be connected to the voltage stated on the label.

CBD4/CBD5/CBD6 with earth

The CBD4/CBD5/CBD6 earth cable to be mounted on the desk construction (typically the top frame) in a way that ensures good electrical contact. The function of the earth cable is to earth the desk and ground static electricity. The earth connection does not protect other electrical products.



CBD4/CBD5 with mains cut-off (non ZERO models)

If the power cable is damaged it has to be replaced by an authorized LINAK service centre to avoid any danger.

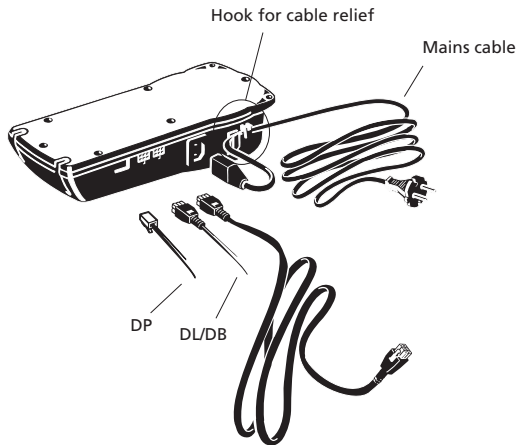


Figure 7

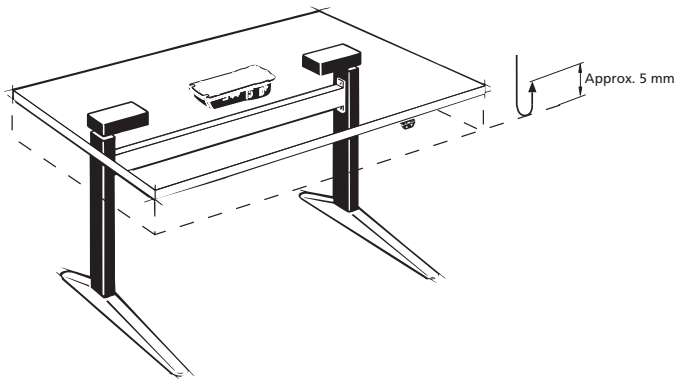
Initialisation of the DESKLINE parallel system

The DESKLINE system is initialised by pressing the down button once or twice and holding it down until the DB/DL runs into end stop. It will then automatically run approx. 5 mm out again and hereafter slowly run in again. Only release the down button when the movement has stopped completely.



If the button is released before the sequence is completed, the initialisation is interrupted and must be started again from the beginning.

The first two times the system runs into the outward end stop, it will automatically run approx. 3 mm back in inward direction.



The CBD5 and the CBD6 can control the DL5 and the DL6 in 2 parallel while the CBD4 can control the DL5 and the DL6 in 2, 3, and 4-parallel so that the desk is always kept horizontal.

Anti-Collision™

The function (anti-collision) is an option for the standard CBD4/CBD5/CBD6 advanced/control box software 0077432 version 1.66 and later. A system with anti-collision can limit material damages on a desk if a collision with a solid object should occur.

Enabling the anti-collision

To enable the anti-collision function a little plug called a dongle must be mounted in one of the 2 control ports. The function is only active when the dongle is mounted. – If you remove the dongle again, you disable the function.

Method of operation

When the DLs/DBs are running the CBD4/CBD5/CBD6 monitors the current consumption on each channel using a special algorithm. If the current consumption on one channel is increased by more than a predefined slope, a collision is assumed and all channels are stopped immediately and all DLs/DBs will start to run in the opposite direction (approx. 50 mm). This return drive is done automatically and continues with or without any control key pressed (for max. 2.5 sec.).

The anti-collision sensitivity is different in upward and downward direction. Upwards the force is approx. 20 kg. Downwards the load will be approx. 40 kg + the load on the DL/DB (the desk + what is on top of the desk). The 40 kg are needed to activate the anti-collision function.

Situations where the anti-collision does not work

There are situations where the anti-collision will not be activated. These situations are:

- If the collision happens during the initialisation phase
- If the collision happens within the first 1000 msec or after the control button has been released
- If the collision happens between the floor and the table and the load on the desk + the weight of the legs are lower than 40 kg
- If the collision happens over too long time, e.g. if the collision is with a soft object.

PIEZO™: description of the feature

For optimised safety against squeezing and blocking on a desk, LINAK has developed the DESKLIFT columns with an integrated sensor, called PIEZO. The option minimises the risk for damages on a desk caused by squeezing or blocking of obstacles in up and down direction. Examples could be driving down into an office chair or into a container or up into a windowsill. To a certain extent, the system also increases the personal safety, but it does not comply with legislation describing personal safety.

PIEZO allows the DBs or columns to have the standard built-in dimension and the standard stroke length. There are no visible changes to the column.



Examples where PIEZO avoids squeezing situations.

Accessories and repair

Ordering accessories

Order from your nearest LINAK® dealer or subsidiary.

Accessories

Please contact your nearest LINAK dealer for information.

Repairs

Systems should only be repaired by an authorised LINAK service centre or an engineer. Systems to be repaired under warranty must be sent to an authorised LINAK service centre.



Warning!

By unauthorised opening of the system there is a risk that it may malfunction at a later date.

Spare parts

Please contact your nearest LINAK dealer for information on spare parts.

Disposal of LINAK products

As LINAK customers often ask us how our products can be disposed of or scrapped, we have prepared this guidance that enables a classification to different waste fractions for recycling or combustion.

Guidance

We recommend that our products be disassembled as much as possible and divided into different waste groups for recycling or combustion.

For example, waste can be sorted into metals, plastics, cable scrap, combustible materials and recoverable resources.

Some of these main groups can be further divided into subgroups; e.g. metal can be divided into steel/aluminium/copper and plastic can be divided into ABS/PA/PE/PP.

As an example, the table below breaks down the different components in LINAK products to various recycling groups:

Product	Components	Recycling group
Columns/ Actuator :	Spindle and motor Plastic housing Cable PC boards	Metal scrap Plastic recycling or combustion Cable scrap or combustion Electronic scrap
Control Box :	PC boards Plastic housing Cable Transformer	Electronic scrap Plastic recycling or combustion Cable scrap or combustion Metal scrap
Handset/Control :	Plastic housing Cable PC boards	Plastic recycling or combustion Cable scrap or combustion Electronics scrap

By now, almost all our casted plastic parts are supplied with an interior code for plastic types and fibre contents, if any.

Main groups of disposal

Product main groups	Metal scrap	Cable scrap	Electronics scrap	Plastic recycling or combustin	Comments
DL12	X	X	X	X	
DL12XL	X	X	X	X	
DL14	X	X	X	X	
DB14	X	X	X	X	
DL17	X	X	X	X	
CBD4/CBD5/CBD6	X	X	X	X	
DPXX		X	X	X	

Disposal of batteries

Details regarding safe disposal of used and leaking batteries:

Batteries should be disposed in accordance with appropriate federal, state and local regulations. LINAK recommends that used or leaking batteries are disposed through local recycling systems. Please do not throw used or leaking batteries in normal household waste or in nature. This will cause damage to the enviroment.

How to deal with leaking batteries

Leaking batteries should be disposed as described above.

If leaking batteries are discovered in the product, the batteries must be removed at once to minimise damage to the product. If leaking batteries are left in the product, it might become defective.

It is recommended to use plastic gloves when handling leaking batteries. The contents of leaking batteries can cause chemical burns and respiratory irritation.

If exposed to the contents of a leaking battery, please wash with soap and water. If irritation persists, please seek medical attention. In case of eye contact, please flush eyes thoroughly with water for 15 minutes and seek medical attention."

Labels

Label for DL12



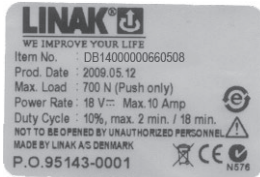
DL12000A0E660518
2013.10.07
P.O.12345678-0001
S.O.12345678

Label for DL17

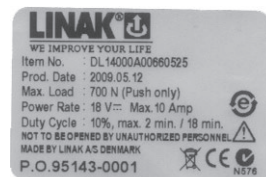


DL17000A0E660518
2013.10.07
P.O.12345678-0001
S.O.12345678

Label for DB14



Label for DL14



Label for CBD4



Label for CBD5

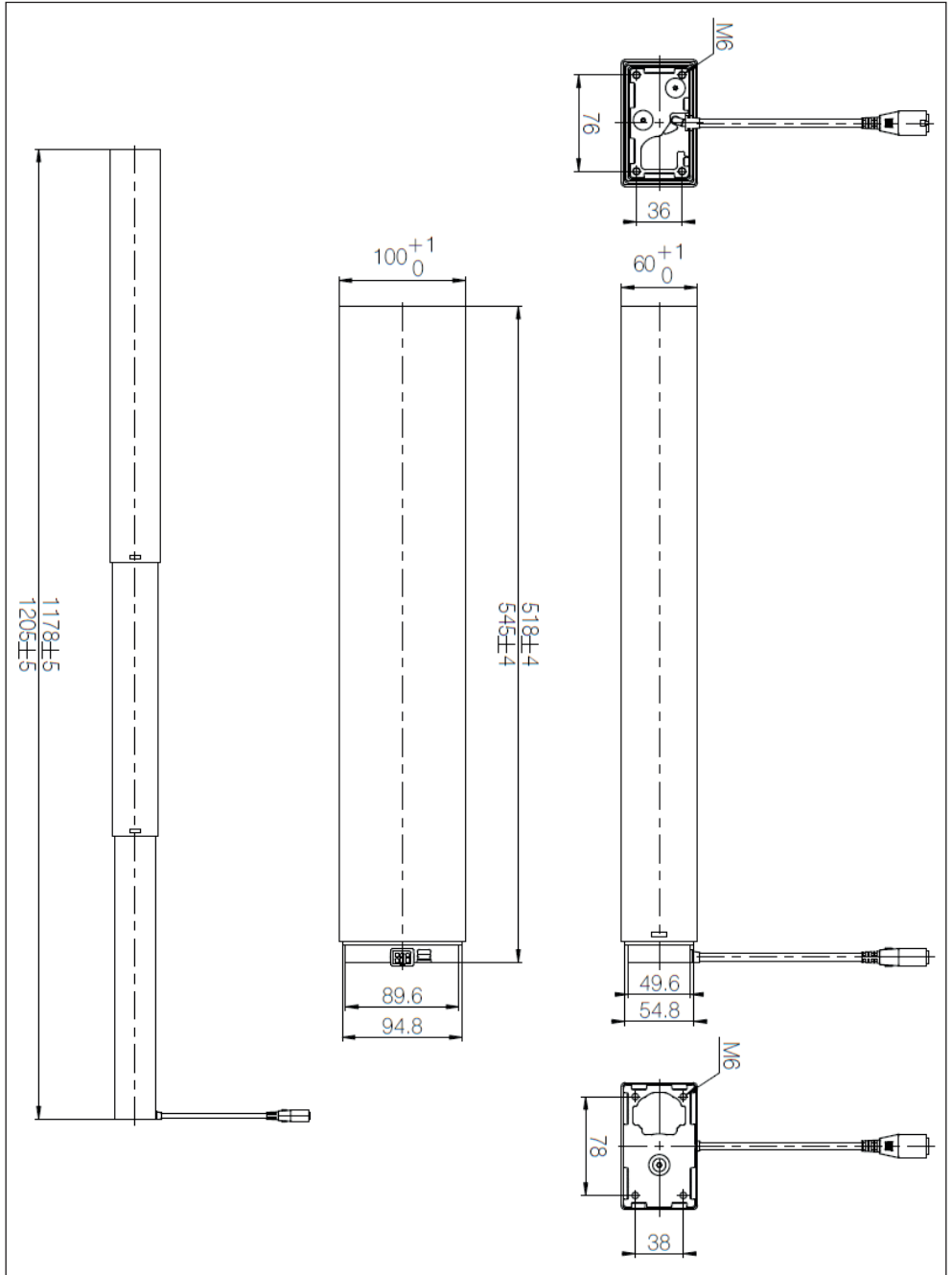


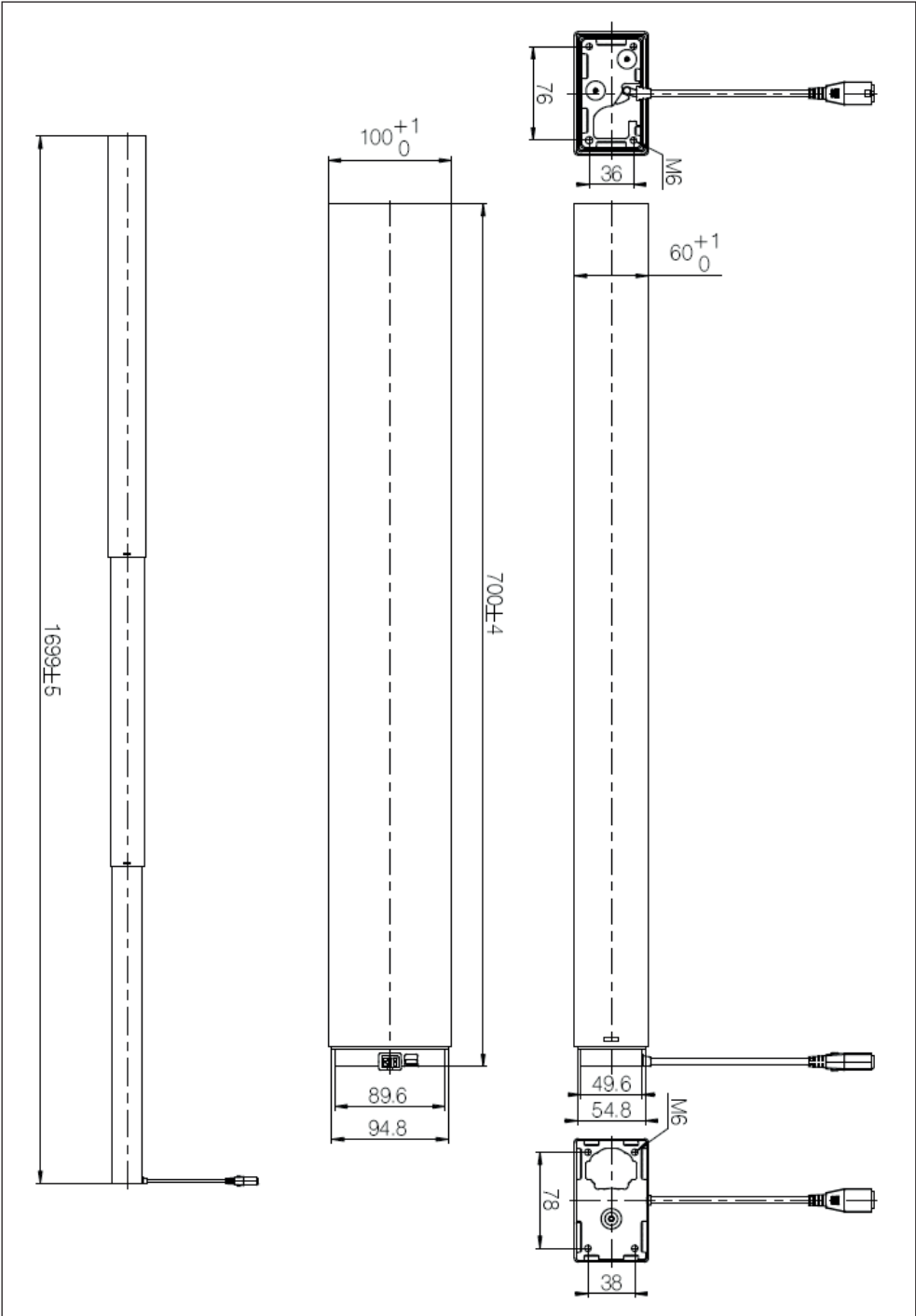
Label for CBD6

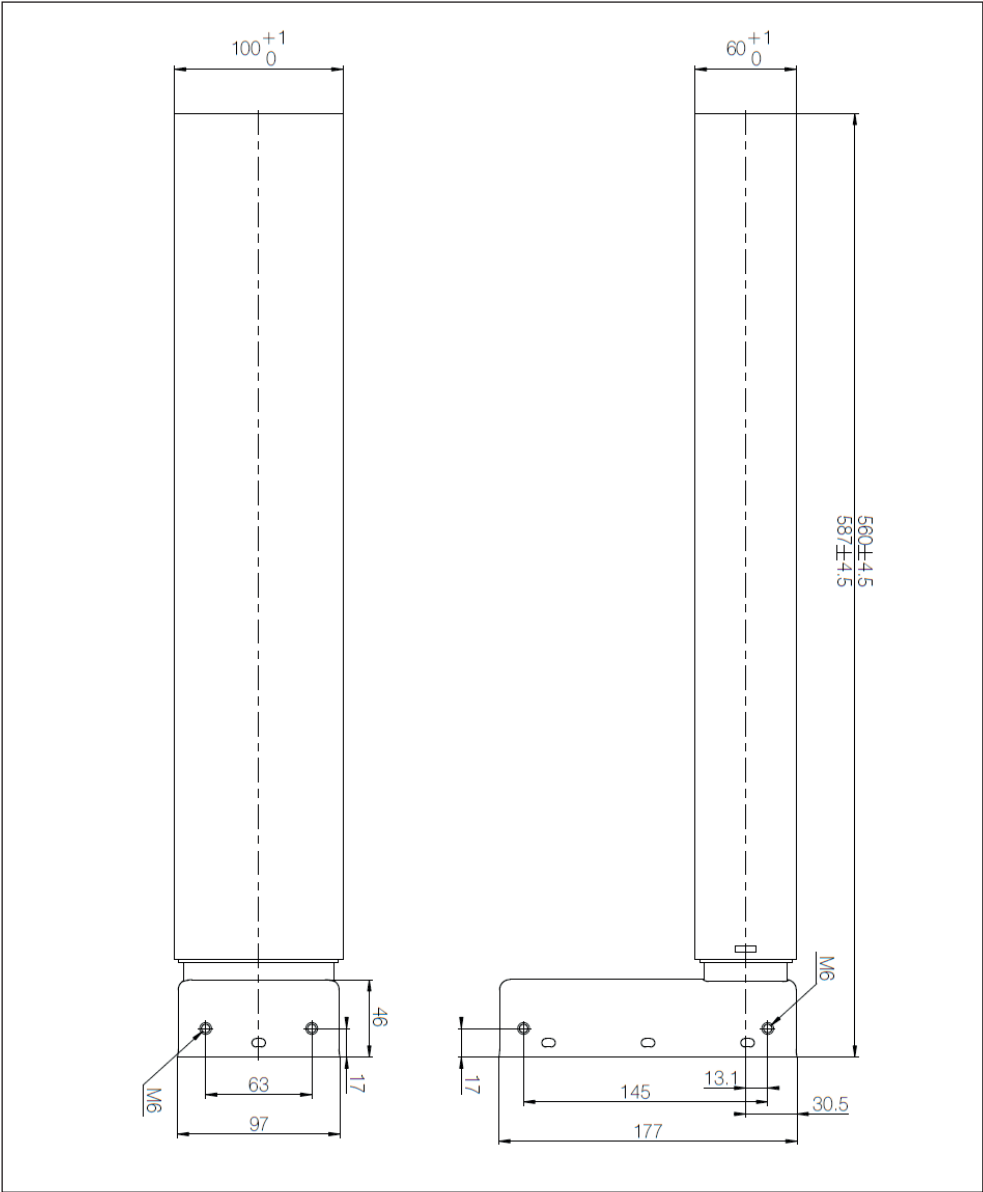


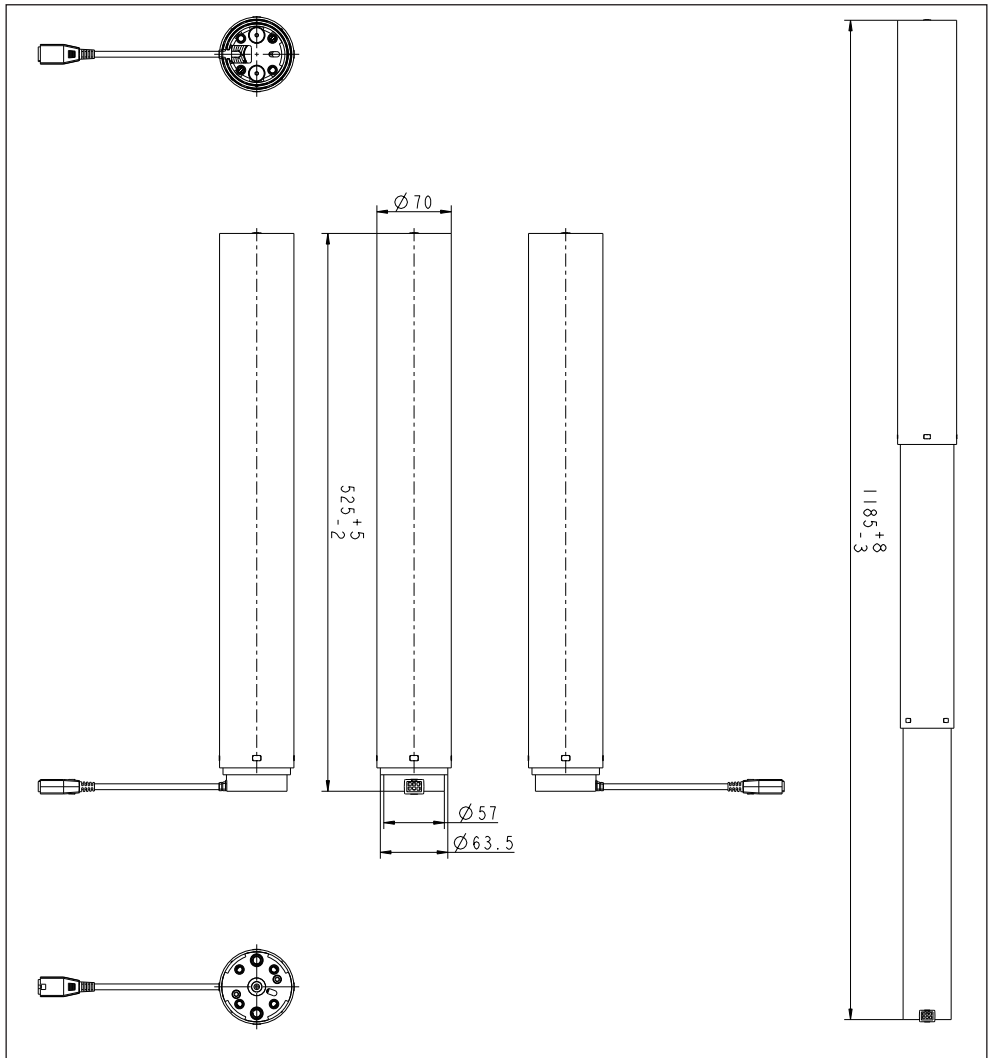
DRAWING APPENDIX

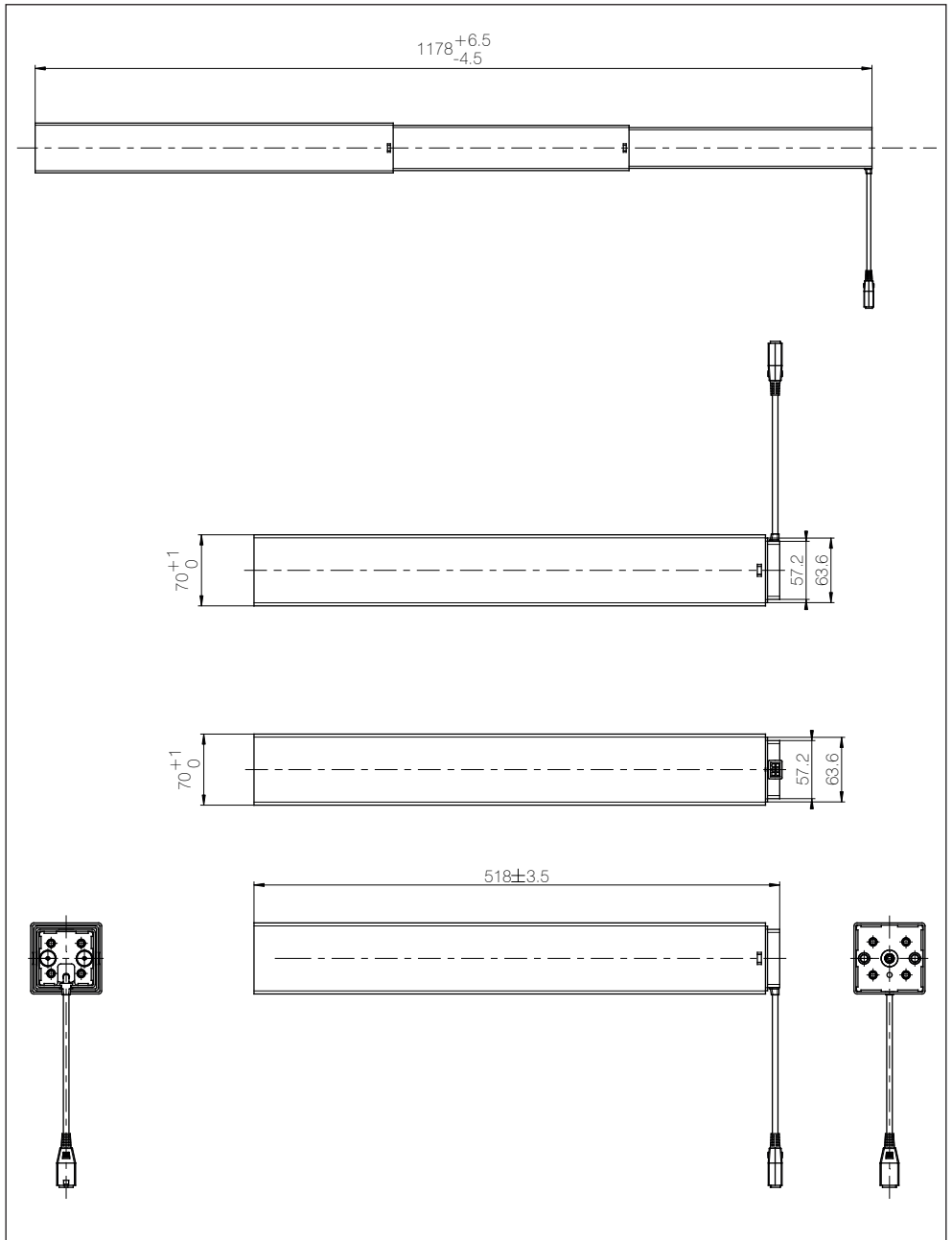
DL12



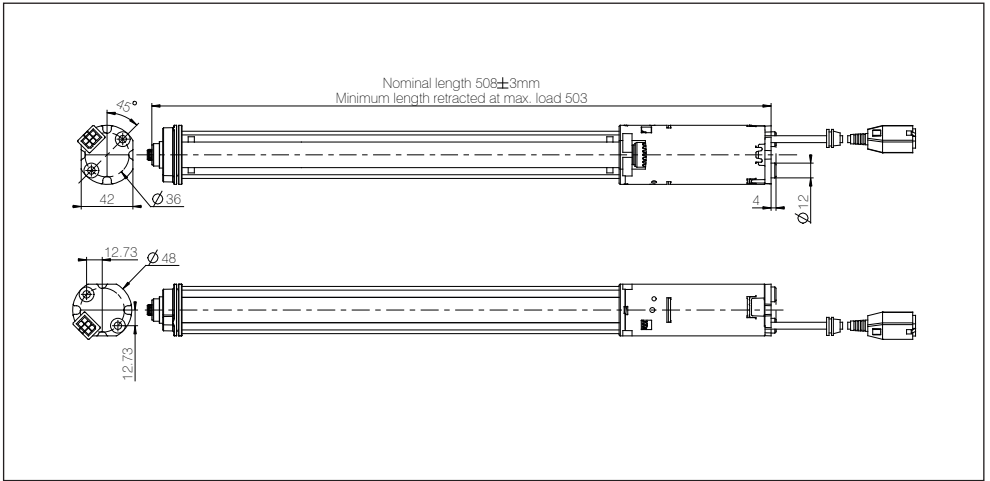




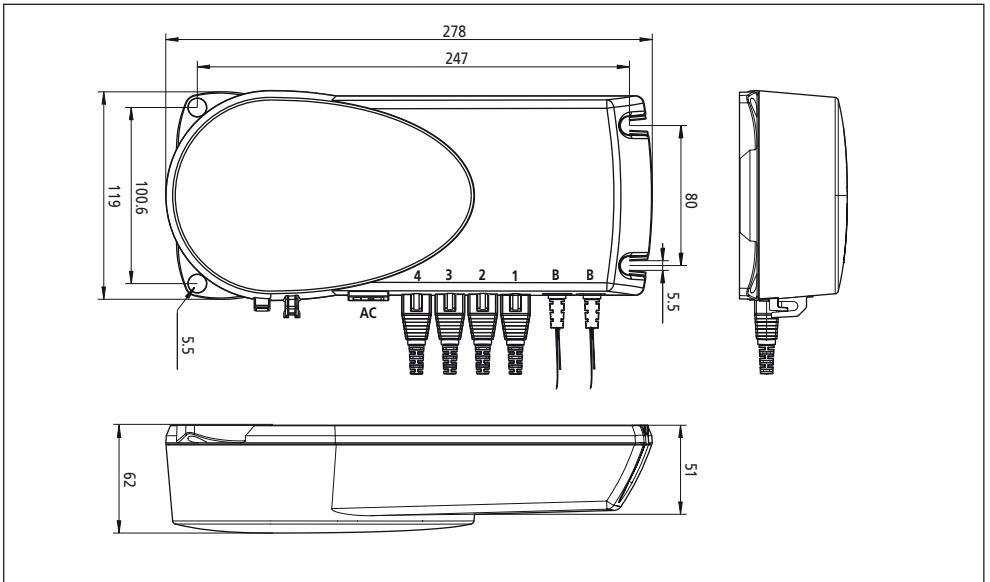




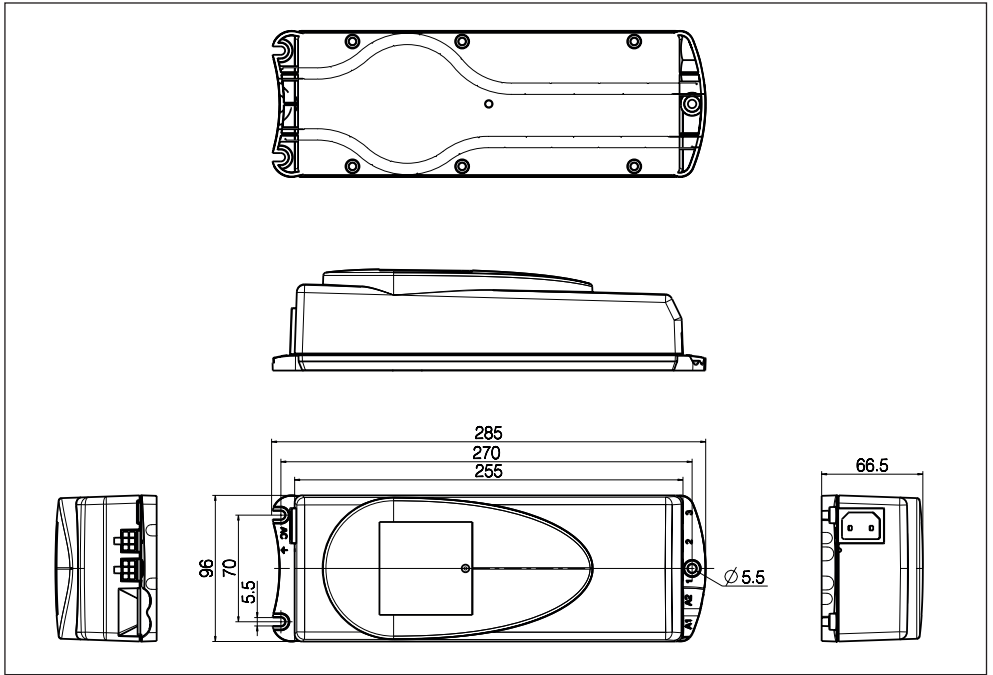
DB14



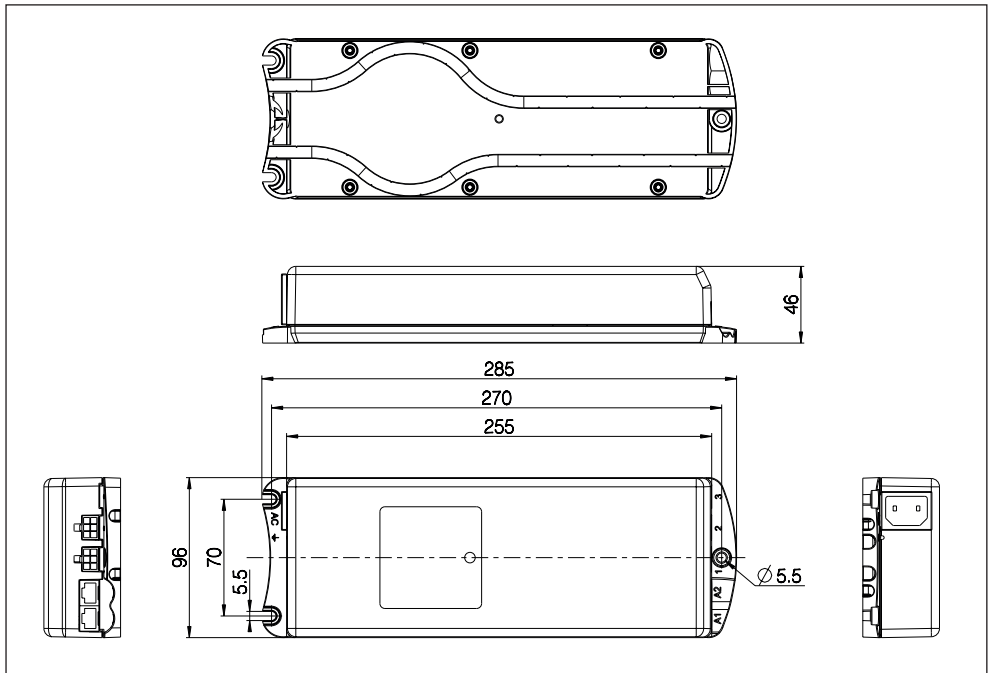
CBD4



CBD5



CBD6



LINAK APPLICATION POLICY

The purpose of the application policy is to define areas of responsibilities in relation to applying a LINAK product defined as hardware, software, technical advice, etc. related to an existing or a new customer application.

LINAK products as defined above are applicable for a wide range of applications within the Medical, Furniture, Desk and Industry areas. Yet, LINAK cannot know all the conditions under which LINAK products will be installed, used, and operated, as each individual application is unique.

The suitability and functionality of the LINAK product and its performance under varying conditions (application, vibration, load, humidity, temperature, frequency, etc.) can only be verified by testing, and shall ultimately be the responsibility of the LINAK customer using any LINAK product.

LINAK shall be responsible solely that LINAK products comply with the specifications set out by LINAK and it shall be the responsibility of the LINAK customer to ensure that the specific LINAK product can be used for the application in question.

DECLARATION OF CONFORMITY

LINAK A/S
Smedevænget 8
DK - 6430 Nordborg

hereby declares that LINAK Actuator System composed of:

Control Box(s) CBD4, CBD5, CBD6

And

Linear Actuator(s) 31xxxH-xxxxx50S, DB4, DB5, DB6, DB7, DB9, DB12, DB14, DB16

and / or

Lifting Column(s) DL1A, DL2, DL4, DL5, DL6, DL7, DL8, DL9, DL10, DL11, DL12, DL14, DL15, DL16, DL17

And

Desk Panel(s) DP1C, DP1K, DPT, DPB, DPF, DPBK, DP1L, DP1V, DPA, DPH, WDPL1 and / or

Handset(s) HB2xxF2+00003

complies with EMC Directive: 2004/108/EC according to following standards:
EN 61000-6-1:2007, EN 61000-6-3:2007, EN 55022:2011+A2 Class B,

complies with Low Voltage Directive 2006/95/EC according to the standard:
EN 60335-1:2012, EN 62233:2008, EN 62311: 2008

complies with Machinery Directive 2006/42/EC according to the standard:
EN 13849-1:2008 SRP/CS Cat. B, PL = b and SRESW PL = b

complies with RoHS2 Directive 2011/65/EU

And

Controls:	RF-transmitter: HB1XRFXXXX	and/or
	RF-transmitter: HB2XRFXXXX	and/or
	RF-receiver: RFRL	

complies with the Radio equipment and Telecommunications terminal equipment Directive 1999/5/EC:
EN 300220-2:2006, EN 61000-6-1:2007, EN 61000-6-3:2007,
EN 60335-1:2012, EN 62311:2008

Nordborg, 2013-07-02



LINAK A/S
John Kling, B.Sc.E.E.
Certification and Regulatory Affairs
Authorized to compile the relevant technical documentation

Original Declaration

FACTORIES

• Denmark

LINAK A/S
Group Headquarters
Tel: +45 73 15 15 15
Fax: +45 74 45 80 48
Fax (Sales): +45 73 15 16 13
www.linak.com

• Denmark

LINAK Profiles
Tel: +45 73 70 95 30
www.linak-profiles.com

• China

LINAK (Shenzhen) Actuator Systems, Ltd.
Tel: +86 755 8610 6656
Fax: +86 755 8610 6990
www.linak.cn

• Slovakia

LINAK Slovakia s.r.o.
Tel: +421 51 7563 444
Fax: +421 517563 410
www.linak.sk

• Thailand

LINAK APAC Ltd.
Tel: +66 33 265 400
www.linak.com

• USA

LINAK U.S. Inc.
Americas Headquarters
Tel: +1 502 253 5595
Fax: +1 502 253 5596
www.linak-us.com

SUBSIDIARIES

• Australia

LINAK Australia Pty. Ltd
Tel: +61 3 8796 9777
Fax: +61 3 8796 9778
www.linak.com.au

• Austria

LINAK Repräsentanz
Österreich (Wien)
Tel: +43 (1) 890 7446
Fax: +43 (1) 890 744615
www.linak.at - www.linak.hu

• Belgium

LINAK Benelux
(Belgium & Luxembourg)
Tel: +32 (0)9 230 01 09
www.linak.be - www.fr.linak.be

• Brazil

LINAK Do Brasil Comércio De Atuadores Ltda.
Tel: +55 (11) 2832 7070
Fax: +55 (11) 2832 7060
www.linak.com.br

• Canada

LINAK Canada Inc.
Tel: +1 502 253 5595
Fax: +1 416 255 7720
www.linak-us.com

• China

LINAK (Shenzhen) Actuator Systems, Ltd.
Tel: +86 755 8610 6656
Fax: +86 755 8610 6990
www.linak.cn

• Czech Republic

LINAK C&S s.r.o.
Tel: +42 058 174 1814
Fax: +42 058 170 2452
www.linak.cz - www.linak.sk

• Denmark - Headquarters

LINAK A/S - Group Headquarters
Tel: +45 73 15 15 15
Fax: +45 74 45 80 48
Fax (Sales): +45 73 15 16 13
www.linak.com

• Denmark - International

LINAK International
Tel: +45 73 15 15 15
www.linak.com

• Denmark - Sales

LINAK DANMARK A/S
Tel: +45 86 80 36 11
Fax: +45 86 82 90 51
www.linak.dk

• Finland

LINAK OY
Tel: +358 10 841 8700
www.linak.fi

• France

LINAK FRANCE E.U.R.L
Tel: +33 (0) 2 41 36 34 34
Fax: +33 (0) 2 41 36 35 00
www.linak.fr

• Germany

LINAK GmbH
Tel: +49 6043 9655 0
Fax: +49 6043 9655 60
www.linak.de

• India

LINAK A/S India Liaison Office
Tel: +91 120 4531797
Fax: +91 120 4786428
www.linak.in

• Ireland

LINAK UK Limited (Ireland)
Tel: +44 (0)121 544 2211
Fax: +44 (0)121 544 2552
+44 (0)796 855 1606 (UK Mobile)
+35 387 634 6554 (Republic of Ireland Mobile)
www.linak.co.uk

• Italy

LINAK ITALIA S.r.l.
Tel: +39 02 48 46 33 66
Fax: +39 02 48 46 82 52
www.linak.it

• Japan

LINAK K.K.
Tel: 81-45-533-0802
Fax: 81-45-533-0803
www.linak.jp

• Malaysia

LINAK Actuators Sdn. Bhd.
Tel: +60 4 210 6500
Fax: +60 4 226 8901
www.linak.my

• Netherlands

LINAK Benelux
Tel: +31 76 5 42 44 40
www.linak.nl

• New Zealand

LINAK New Zealand Ltd
Tel: +64 9580 2071
Fax: +64 9580 2072
www.linak.com.au

• Norway

LINAK Norge AS
Tel: +47 32 82 90 90
www.linak.no

• Poland

LINAK Polska
LINAK Danmark A/S (Spółka Akcyjna)
Tel: +48 22 295 09 70/22 295 09 71
www.linak.pl

• Republic of Korea

LINAK Korea Ltd.
Tel: +82 2 6231 1515
Fax: +82 2 6231 1516
www.linak.kr

• Russia

LINAK LLC
Tel: +7 495 780 3161
Fax: +7 495 687 1426
www.linak.ru

• Slovakia

LINAK Slovakia s.r.o.
Tel: +421 51 7563 444
www.linak.sk

• Spain

LINAK Actuadores, S.L.u
Tel: +34 93 588 27 77
Fax: +34 93 588 27 85
www.linak.es

• Sweden

LINAK Scandinavia AB
Tel: +46 8 732 20 00
Fax: +46 8 732 20 50
www.linak.se

• Switzerland

LINAK AG
Tel: +41 43 388 31 88
Fax: +41 43 388 31 87
www.linak.ch - www.fr.linak.ch
www.it.linak.ch

• Taiwan

LINAK (Shenzhen) Actuator systems Ltd.
Taiwan Representative office
Tel: +886 2 27290068
Fax: +886 2 27290096
www.linak.tw

• Thailand

LINAK APAC Ltd.
Tel: +66 33 265 400

• Turkey

LINAK İth. İhr. San. ve Tic. A.Ş.
Tel: +90 312 4726338
Fax: +90 312 4726635
www.linak.com.tr

• United Kingdom

LINAK UK Limited
Tel: +44 (0)121 544 2211
Fax: +44 (0)121 544 2552
www.linak.co.uk

• USA

LINAK U.S. Inc.
North and South American Headquarters
Tel: +1 502 253 5595
Fax: +1 502 253 5596
www.linak-us.com
www.linak-latinamerica.com

DISTRIBUTORS

• Argentina

NOVOTEC ARGENTINA SRL
Tel: 011-4303-8989/8900
Fax: 011-4032-0184
www.novotecargentina.com

• Colombia

MEM Ltda
Tel: +57 (1) 334-7666
Fax: +57 (1) 282-1684
www.mem.net.co

• India

Mechatronics Control Equipments India Pvt Ltd
Tel: +91-44-28558484, 85
www.mechatronicscontrol.com

• Indonesia

PT. HIMALAYA EVEREST JAYA
Tel: +6 221 544 8956/221 544 8965
Fax: +6 221 619 1925
Fax (Sales): +6 221 619 4658
www.hej.co.id

• Iraq

Scan Medical Tech
Tel: +964 770 470 2202

• Israel

NetivTech LTD
Tel: +972 55-2266-535
Fax: +972 2-9900-560
www.netivtech.com

• Kingdom of Bahrain

Mechatronics Industrial Equipments
Tel: +973 17280059
Fax: +973 17910045
www.mechatronicsbh.com

• Qatar

Mechatronics Industrial Equipments
Tel: +974 44581155
Fax: +974 44689135
www.mechatronicsqatar.com

• Russia

OOO FAM
Tel: +7 812 3319333
Fax: +7 812 3271454
www.fam-drive.ru

• Singapore

Servo Dynamics Pte Ltd
Tel: +65 6844 0288
Fax (Sales): +65 6844 0070

• South Africa

Industrial Specialised Applications CC
Tel: +27 011 466 0346
www.isaza.co.za

• United Arab Emirates

Mechatronics Industrial Equipments LLC
Tel: +971 4 267 4311
Fax: +971 4 267 4312
www.mechatronics.ae

LINAK® accepts no responsibility for possible errors or inaccuracies in catalogues, brochures, and other material. LINAK reserves the right to change its products without prior notice. LINAK cannot guarantee product availability and reserves the right to discontinue the sale of any product. The user is responsible for determining the suitability of LINAK products for a specific application. All sales are subject to the 'Standard Terms of Sale and Delivery', available on LINAK websites.

LINAK and the LINAK logotype are registered trademarks of LINAK A/S. All rights reserved.



WE IMPROVE YOUR LIFE