

DL8 IC, DL9 IC, DL10 IC and DL11 IC, system **User Manual**



Contents

Preface	3
Important safety information	4
Informations importantes en matière de sécurité.....	5
The DESKLINE® system	6
Intended use	6
Warranty	6
Products	7
Safety instructions.....	8
Important safety instructions.....	8
General	8
Before installation, re-installation, cleaning, or troubleshooting	9
Before start-up	9
During operation	9
Repairs	9
Consignes importantes de sécurité.....	11
Declaration of Conformity.....	12
Manufacturer's declaration.....	14
Installation	15
Mounting the column.....	15
Mounting the feet	16
DL8 IC / DL9 IC.....	16
DL10 IC / DL11 IC.....	17
Mounting the tabletop	19
Mounting the locking device (SMPS001/SMPS002)	20
Mounting the bracket (SMPS006/SMPS007).....	21
Connection.....	22
Operation	23
Maintenance.....	24
Cleaning the desk panel	24
Repair and disposal	25
Servicing double-insulated products.....	25
Accessories and spare parts.....	25
Contacts.....	26

Preface

Dear User,

We are delighted that you have chosen a LINAK® product.

LINAK systems are high-tech products based on many years of experience in the manufacture and development of actuators, lifting columns, desk frames, electric control boxes, controls, batteries, accessories and chargers.

This User Manual does not address the end user. It is intended as a source of information for the equipment or system manufacturer only, and it will tell you how to install, use and maintain your LINAK electronics. The manufacturer of the end product has the responsibility to provide a User Manual, where relevant safety information from this manual is passed on to the end user.

We are convinced that your LINAK product/system will give you many years of problem-free operation.

Before our products leave the factory, they undergo both function and quality testing. Should you, nevertheless, experience problems with your product/system, you are always welcome to contact your supplier.

LINAK subsidiaries and some distributors situated all over the world have authorised service centres, which are always ready to help you. Locate your local contact information on the back page.

LINAK provides a warranty on all products, see [Warranty](#).

This warranty, however, is subject to correct use in accordance with the specifications, maintenance being done correctly, and any repairs being carried out at a service centre, which is authorised to repair LINAK products.

Changes in installation and use of LINAK systems can affect their operation and durability. The products may only be opened by authorised personnel.

This User Manual has been written based on the present technical knowledge. LINAK reserves the right to carry out technical modifications and keeps the associated information updated.

LINAK A/S

Important safety information

Safe use of the system is possible only when this document is read completely and the instructions contained are strictly observed.

Failure to comply with instructions marked with the "NOTICE" symbol may result in serious damage to the system or one of its components.

Read all instructions before using this product.

Important safety information on LINAK® products can be found under the following heading(s):



DANGER

Failure to comply with these instructions will result in severe personal injury.



WARNING

Failure to comply with these instructions may result in severe personal injury.



CAUTION

Failure to comply with these instructions can result in minor personal injury.



NOTICE

Failure to comply with these instructions can result in property damage.

READ AND SAVE THESE INSTRUCTIONS

Informations importantes en matière de sécurité

Une utilisation sûre du système n'est possible que lorsque ce document est lu dans son intégralité et que les instructions qu'il contient sont strictement respectées.

Le non-respect des instructions marquées du symbole "AVIS" peut entraîner de graves dommages au système ou à l'un de ses composants.

Lisez toutes les instructions avant d'utiliser ce produit.

Des informations de sécurité importantes sur les produits LINAK® sont disponibles dans la ou les rubriques suivantes :



DANGER

Le non-respect de ces instructions entraînera des blessures graves.



AVERTISSEMENT

Le non-respect de ces instructions peut entraîner des blessures graves.



ATTENTION

Le non-respect de ces instructions peut entraîner des blessures corporelles légères.



AVIS

Le non-respect de ces instructions peut entraîner des dommages matériels.

LIRE ET CONSERVER CES INSTRUCTIONS

The DESKLINE® system

This system is a DESKLINE system developed for desks

The actuator system has a sound level below 55 dB (A) in typical applications.

Intended use

This product is intended for use indoors in household and commercial usage areas.

Parameter	Operation	Storage and transportation
Temperature	10 to 40 °C	-10 to +50 °C
Relative humidity	20% to 80% - non-condensing	20% to 80% - non-condensing
Atmospheric pressure	800 to 1060 hPa	700 to 1060 hPa
Altitude	Max. 2000 m	N/A



Do not use outdoors or in wet areas.



Do not use it in environments that have to be cleaned with aggressive detergents.





Warranty

The warranty terms for DESKLINE products are described in this warranty paper:


<https://cdn.linak.com/-/media/files/warranty/warranty-paper-deskline-eng.pdf>

Products

DESKLIFT™ columns

<p>DL8 IC</p>  <ul style="list-style-type: none"> • 2-part upside-down column 	<p>DL9 IC</p>  <ul style="list-style-type: none"> • 3-part upside-down column
<p>DL10 IC</p>  <ul style="list-style-type: none"> • 2-part column • PLUS™ (option) 	<p>DL11 IC</p>  <ul style="list-style-type: none"> • 3-part column • PLUS™ (option)

Switch Mode Power Supply (SMPS)

<p>SMPS001</p>  <ul style="list-style-type: none"> • 230 V AC 	<p>SMPS002</p>  <ul style="list-style-type: none"> • 120 V AC 	<p>SMPS006</p>  <ul style="list-style-type: none"> • 100 - 240 V AC 	<p>SMPS007</p>  <ul style="list-style-type: none"> • 100 - 120 V AC
--	--	--	--

Desk panels

With up/down drive	<ul style="list-style-type: none"> • DPA • DPB • DPH 	<ul style="list-style-type: none"> • DP1K • DPF1K • DPG1K • DPI1K
Desk panels with display	<ul style="list-style-type: none"> • DPF1D 	
Desk panels with memory	<ul style="list-style-type: none"> • DPF1M 	<ul style="list-style-type: none"> • DPG1M • DPG1B
Desk panels with display and memory	<ul style="list-style-type: none"> • DP1CS • DPT 	<ul style="list-style-type: none"> • DPF1C • DPG1C • DPI1C

Safety instructions

Important safety instructions

General



DANGER

Plugged-in products

Risk of electric shock

- Always unplug this product from the electrical outlet before assembling, disassembling, cleaning, or servicing.
- Only use the product indoors in dry locations.



WARNING

General precautions

Risk of burns, fire, electric shock, or injury to persons

- Unplug from outlet before putting on or taking off parts.
- It is important that everyone who is to connect, install, or use the systems has the necessary information and access to this User Manual. Follow the instructions for mounting - there is a risk of injury if these instructions are not followed.
- Close supervision is necessary when this product is used by or near children, invalids, or disabled persons.
- If there is visible damage to the product, do not install or use the product.
- Ensure that the cable and the plug are not damaged, and keep the cable away from heated surfaces.
- Use this product only for its intended use as described in this User Manual. Do not use attachments not recommended by the manufacturer.
- Never insert any object into any opening.
- During construction of applications in which the system is to be fitted, there must be no risk of personal injury, for example squeezing of fingers or arms.
- Do not open the product.



CAUTION

Objects above and below the desk

Risk of personal injury and material damage

- Ensure free space above and below the application to avoid entrapment and blocking the movement in either direction.

Before installation, re-installation, cleaning, or troubleshooting

- Stop the system.
- Unplug the power cable.
- Relieve the system of any loads, which may be released during the work.
- Review the assembly instructions to confirm that the appropriate critical components and accessories are being used with this product.

Before start-up

- Make sure that the system has been installed as instructed in this User Manual.
- Make sure to use only the power supply type SMPS001, SMPS002, SMPS006, or SMPS007 that is supplied with the system.
Do not cover the power supply during operation to allow sufficient cooling of the appliance.
- Always use the supplied power cable.

During operation

- If the system makes unusual noise or smells, unplug the mains cable immediately.
- Observe the maximum load/self-lock (per column)

Column	Max. load (N)	Self-lock (N)
Two-part	500	500
Three-part	500	500

- Duty cycle: 10 %, max. 2 minutes continuous use at full load followed by 18 minutes pause.
- Take care that the cables are not damaged.



CAUTION

Load on the desk

Risk of injury to persons and of malfunction

- Do not overload the frame.
- Place heavy load centrally on the desk.
- Do not use the desk as a work bench.
- Do not use the frame for lifting persons.
- Do not stand on the desk while it is driving up or down.



NOTICE

Duty cycle

Risk of malfunction

- Do not exceed the duty cycle.

Repairs



WARNING

Opening the product

Risk of injury to persons

- Do not open the DESKLINE® product.

In order to avoid the risk of malfunction, all DESKLINE® repairs must only be carried out by authorised LINAK workshops or repairers, as special tools must be used and special gaskets must be fitted. Lifting units under warranty must also be returned to authorised LINAK workshops.



WARNING

- This appliance can be used by children aged from 8 years, and by persons with reduced physical, sensory or mental capabilities, or lack of experience and knowledge, if they have been given supervision or instruction concerning use of the appliance in a safe way and understand the hazards involved.
- Children shall not play with the appliance. Cleaning and user maintenance shall not be made by children without supervision.

Only for US and Canadian markets

- Persons who do not have the necessary experience or knowledge of the product/products must not use the product/products. Besides, persons with reduced physical, sensory, or mental abilities must not use the product/products, unless they are under surveillance or they have been thoroughly instructed in the use of the apparatus by a person who is responsible for the safety of these persons.
- Moreover, children must be under surveillance to ensure that they do not play with the product.
- It is the operator's responsibility to ensure that there is free space for the application to move without risk for the operator or bystanders before operating the application.

Consignes importantes de sécurité



AVERTISSEMENT

- Cet appareil peut-être utilisé par des enfants âgés de 8 ans et plus, ainsi que les personnes dont les capacités physiques, sensorielles ou mentales sont réduites ou ayant un manque d'expérience et de connaissance si elles ont bénéficié d'une surveillance ou d'instructions concernant l'utilisation de l'appareil en toute sécurité et compris les risques encourus.
- Les enfants ne doivent pas jouer avec l'appareil. Le nettoyage et l'entretien ne doivent pas être réalisés par des enfants sans surveillance

Seulement pour les marchés américains et canadiens

- Les personnes qui n'ont pas l'expérience ou les connaissances nécessaires sur le ou les produit(s) ne doivent pas le ou les utiliser. Par ailleurs, les personnes ayant des capacités physiques, sensorielles ou mentales réduites ne doivent pas utiliser le ou les produit(s), sauf si elles sont sous surveillance ou ont suivi une formation approfondie de l'utilisation de l'appareil par l'individu responsable de la sécurité de ces personnes.
- De plus, les enfants doivent-être sous surveillance afin de s'assurer qu'ils ne jouent pas avec le produit.
- Il est de la responsabilité de l'opérateur de s'assurer qu'il y a de l'espace libre pour que l'application puisse se déplacer sans risque pour l'opérateur ou les passants avant d'utiliser l'application.



ATTENTION

Charge sur le bureau

Risque de dommages corporels et de dysfonctionnement

- Ne pas surcharger le cadre.
- Placer la charge lourde au centre du bureau.
- Ne pas utiliser le bureau comme table de travail.
- Ne pas utiliser le cadre pour soulever des personnes.
- Ne vous tenez pas debout sur le bureau pendant qu'il monte ou descend.

Declaration of Conformity



EU DECLARATION OF CONFORMITY

LINAK A/S
Smedevænget 8
DK - 6430 Nordborg

hereby declares under our sole responsibility that LINAK Actuator System, model: **DLIC**, for use in elevation tables:

with main component (marked with CE):

Lifting Column with integrated control, DLIC (Master, M): DLXXXXXXMXXXXXX

For columns: DL5, DL6, DL8, DL9, DL10, DL11, DL15, DL16, DL18, DL19, DL20, DL21

together with an optional combination of:

Passive Actuators, DLIC (Follower, S) DLXXXXXXSXXXXXX

For columns: DL5, DL6, DL8, DL9, DL10, DL11, DL15, DL16, DL18, DL19, DL20, DL21

And

Power Unit: SMPS006 (ASW0552-29020002B), SMPS001 (ASW0539-24020002A)

And

Control panel DPA, DPB, DPH, DP1K, DP1CS, DPT, RFRL, DPF1K, DPF1M, DPF1C, DPF1D, DPG1K, DPG1M, DPG1B, DPG1C, DPI-C, DPI-K

And

Accessory: DESK SENSOR 1

complies with the EMC Directive: **2014/30/EU** (OJ L 96, 29.3.2014, p. 79–106) according to following standard: EN 61000-6-1:2007, EN 61000-6-3:2007/A1:2011/AC:2012

complies with Low Voltage Directive **2006/95/EC** (OJ L 96, 29.3.2014, p. 357–374) according to the standards: EN 60335-1:2012 + AC:2014 + A11:2014 + A13:2017 + A1:2019 + A14:2019 + A2:2019 + A15:2021

complies with Directive **2011/65/EU** of the European Parliament and of the Council of 8 June 2011 on the restriction of the use of certain hazardous substances in electrical and electronic equipment (OJ L 174, 1.7.2011, p. 88–110) and Directive **2015/863** (OJ L 137, 4.6.2015, p. 10–12) (amending Annex II to Directive 2011/65/EU) according to the standard: EN IEC 63000:2018

Nordborg, 2023-06-26

LINAK A/S
Dragan Macura
Regulatory Compliance Manager
Deskline and Homeline Segments
Authorized to compile the relevant technical documentation

Original Declaration 



EU DECLARATION OF CONFORMITY

LINAK A/S
Smedevænget 8
DK - 6430 Nordborg

Hereby declares under our sole responsibility that LINAK® Switch Mode Power Supply, type SMPS006 (ASW0552-29020002B) and SMPS001 (ASW0539-24020002A)

complies with the EMC Directive **2014/30/EU** (*OJ L 96, 29.3.2014, p. 79–106*) according to following standards:
EN 55014-1:2017/A11:2020,
EN 55014-2:1997/A2:2008,
EN 61000-3-2:2014,
EN 61000-3-3:2013,
EN 61000-6-2:2005/AC:2005,
EN 61000-6-3:2007/A1:2011/AC:2012

complies with Low Voltage Directive **2014/35/EU** (*OJ L 96, 29.3.2014, p. 357–374*) according to the following standards:
EN IEC 61558-1:2019,
EN 61558-2-16:2009 + A1:2013

complies with regulation **2019/1782** (*OJ L 272, 25.10.2019, p. 95–106*) Ecodesign requirements for external power supplies, pursuant to Directive **2009/125/EC** (*OJ L 285, 31.10.2009, p. 10–35*) Ecodesign requirements for energy-related products according to the following standard:
EN 50563:2011 + A1:2013

complies with Directive **2011/65/EU** of the European Parliament and of the Council of 8 June 2011 on the restriction of the use of certain hazardous substances in electrical and electronic equipment (*OJ L 174, 1.7.2011, p. 88–110*) and Directive **2015/863** (*OJ L 137, 4.6.2015, p. 10–12*) (amending Annex II to Directive 2011/65/EU) according to the following standard:
EN IEC 63000:2018

Nordborg, 2023-03-16

LINAK A/S
Dragan Macura
Regulatory Compliance Manager
Deskline and Homeline Segments
Authorized to compile the relevant technical documentation

Original Declaration 

Manufacturer's declaration

DECLARATION OF INCORPORATION OF PARTLY COMPLETED MACHINERY

LINAK A/S
Smedevænget 8
DK - 6430 Nordborg

Herewith declares that LINAK DESKLINE® products as characterized by the following models and types:

Master and follower: DLXXXXXXMXXXXXX and DLXXXXXSXXXXXX

Desk Panels: DP1C, DP1K, DPT, DPB, DPF, DP1L, DP1V, DPA, DPH, DP1U, WDPL1, DPG

Power supply: SMPS006, SMPS001

Accessory: KNC1a00bbcddd-eeee, where a can be 0 or 1; bb can be 00 or 01; c can be A, B or C; dddd can be max 1340; and -eeee can be max 1940 or -eeee not used for fixed version. And DLFaab11cddd000, where aa can be 06, 11, or 19; b can be 1 or 2; c can be A, B or D; and ddd can be 560 or 710

complies with the following parts of the Machinery Directive 2006/42/EC, ANNEX I, *Essential health and safety requirements relating to the design and construction of machinery*:

- 1.1.2 a) Special use*
- 1.1.2 b) Selection of the most appropriate methods*
- 1.1.2 c) Foreseeable misuse*
- 1.1.2 d) Operator constrains due to the use of personal protective equipment*
- 1.1.3 Materials and products*
- 1.2.1 Safety and reliability of control systems
- 1.2.2 Control devices. Shape, readability, overview*
- 1.2.3 Starting*
- 1.2.4 Stopping*
- 1.5.1 Electricity supply
- 1.5.10 Radiation. EMC. Emission of electromagnetic radiation, X-rays, γ -rays*
- 1.5.11 External radiation*

*need to be further evaluated in the end product

We confirm that prior to market introduction the relevant technical documentation is compiled in accordance with part B of Annex VII and the assembly instruction pursuant to Annex VI.

This documentation or part hereof will be transmitted by post or electronically to a reasoned request by the national authorities.

The products mentioned in this document are to be combined for use in height adjustable furniture.

This partly completed machinery must not be put into service until the final machinery into which it is to be incorporated has been declared in conformity with the provisions of the Machinery Directive 2006/42/EC where appropriate.

Nordborg, 2020-12-14

LINAK A/S
Dragan Macura
Regulatory Compliance Manager
Deskline and Homeline Segments
Authorized to compile the relevant technical documentation

Original Declaration 

Installation



WARNING

Plastic bags

Risk of suffocation

- Keep the plastic bags away from babies and children.



LINAK recommends using the DESKLINE® system in push applications with the motor housing mounted upwards.



Do not bolt the columns to the floor so that free movement is obstructed. This could cause serious damage to the columns in fault situations.

Mounting the column

Securing the mechanical construction

The column profile is equipped with grooves to secure the profile against rotation. The grooves ensure that no harm will be done to the inner parts of the column should a collision occur (e.g. when you move the assembled desk and the desk hits the door frame). The column can adapt maximum 200 Nm moment in the rotation direction.

Mounting the motor housing

The motor housing has six M6 threaded holes for mounting on the top frame.

1. Mount the motor housing on the top frame using six M6 screws with the following specifications:
Quality: Min. grade 8.8
Length: Max. 10 mm (plus top frame thickness). The screw must not go further than max. 10 mm into the motor housing
2. Fasten the screws thoroughly (torque: max. 7.5 Nm).

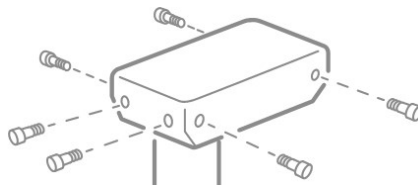


Figure 1 Always use six M6 screws for mounting the motor housing on the top frame

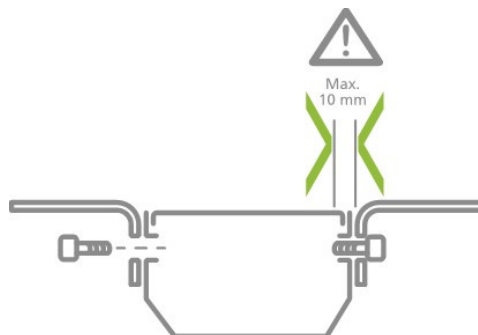


Figure 2 Mounting screws must not go further than max. 10 mm into the motor housing



Sufficient stability of the desk is only obtained if all six M6 screws are used for mounting the motor housing on the top frame. Tests with fixing the motor housing using only four M6 screws have proved that the torsional stability of the desk is insufficient.

Alternatively, use the Kick & Click™ top frame and avoid screws to get easy desk assembly. Visit the [Kick & Click](#) product website for further details.

Mounting the feet

DL8 IC / DL9 IC

The bottom plate has four M6 threaded holes placed in a $\varnothing 42$ mm pitch circle.

1. Mount the desk foot on the column bottom using four M6 screws with the following specifications:
Quality: Min. grade 8.8
Length:
M6: Min. 10 mm (plus foot thickness)
Max. 20 mm (plus foot thickness)
2. Fasten the screws thoroughly (torque: max. 10 Nm).

The holes in the foot must be sufficiently larger than $\varnothing 6$ to ensure space for the screw heads to be screwed fully into the foot.

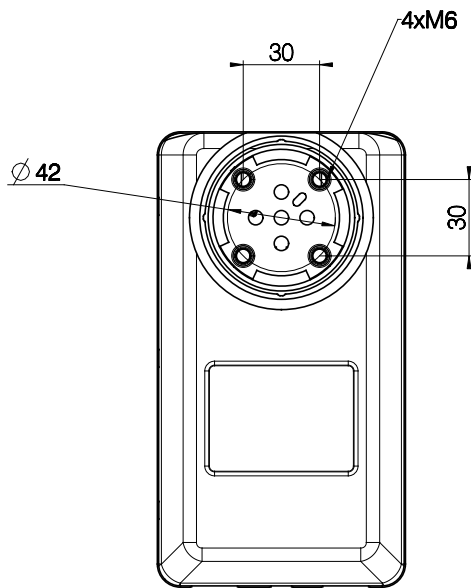


Figure 3 Bottom plate (DL8 IC)

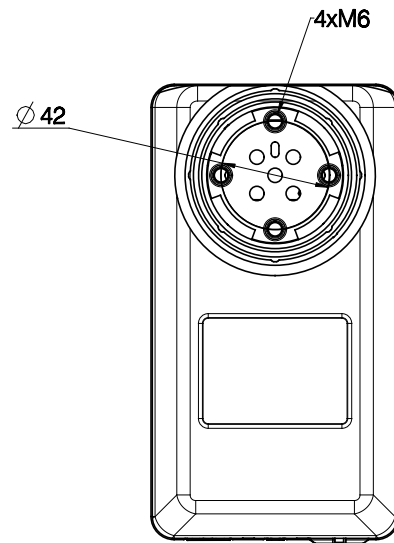


Figure 4 Bottom plate (DL9 IC)

DL10 IC / DL11 IC

The bottom plate has four M6 and two M8 threaded holes.



The standard DL10 bottom plate has four M6 threaded holes, and the DL10 PLUS™ has four M6 and two M8 threaded holes.

The four M6 threaded holes are placed in a $\varnothing 46$ mm pitch circle.

1. Mount the desk foot on the column bottom using four M6 or two M8 screws with the following specifications:

Quality: Min. grade 8.8

Length:

M6: Min. 10 mm (plus foot thickness)

Max. 16 mm (plus foot thickness)

M8: Min. 9 mm (plus foot thickness)

Max. 11 mm (plus foot thickness)

2. Fasten the screws thoroughly (torque: max. 10 Nm).

The holes in the foot must be sufficiently larger than $\varnothing 6/\varnothing 8$ to ensure space for the screw heads to be screwed fully into the foot.

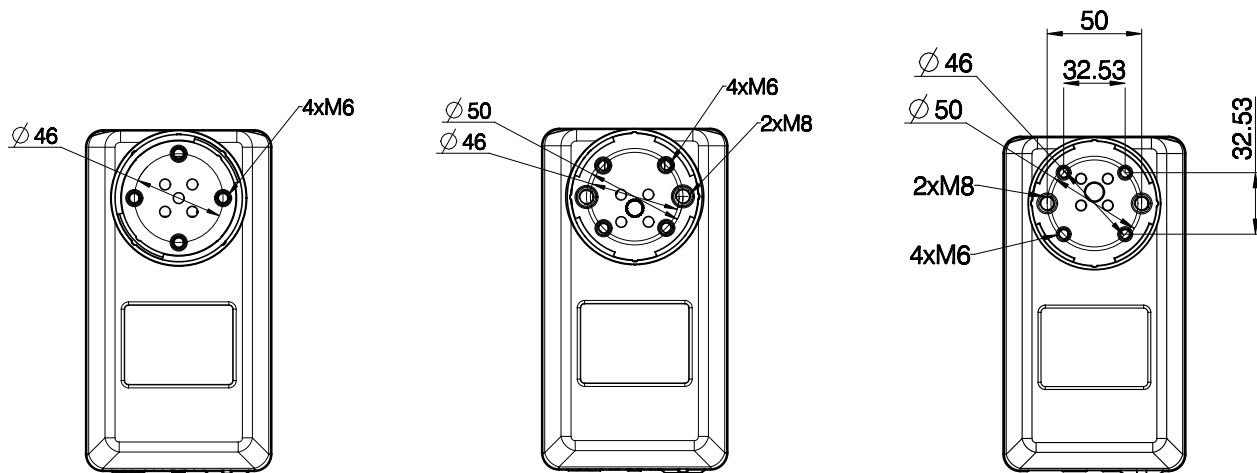


Figure 6 Bottom plate
(DL10 IC standard)

Figure 7 Bottom plate
(DL10 IC PLUS™)

Figure 8 Bottom plate
(DL11 IC)

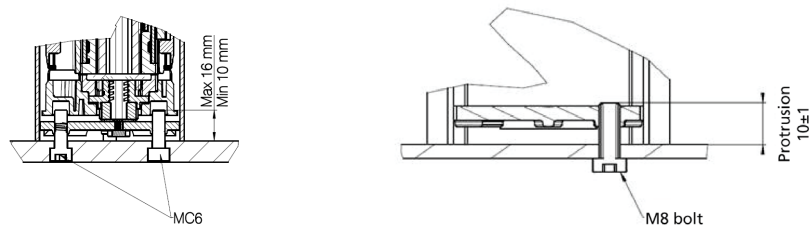
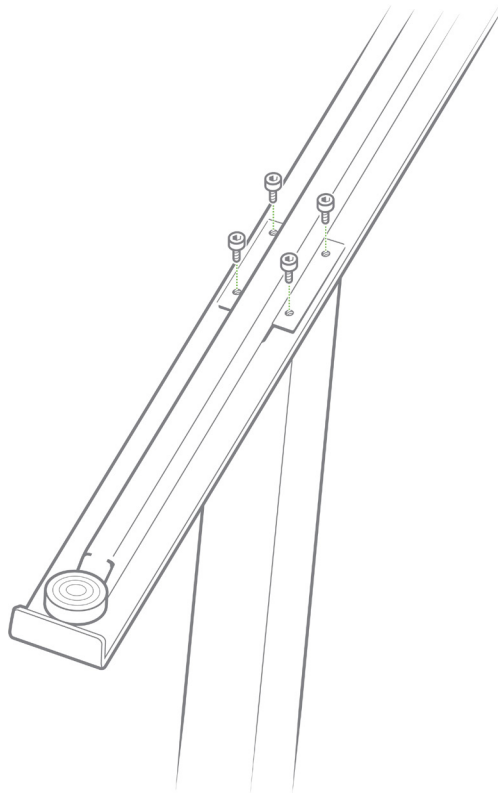
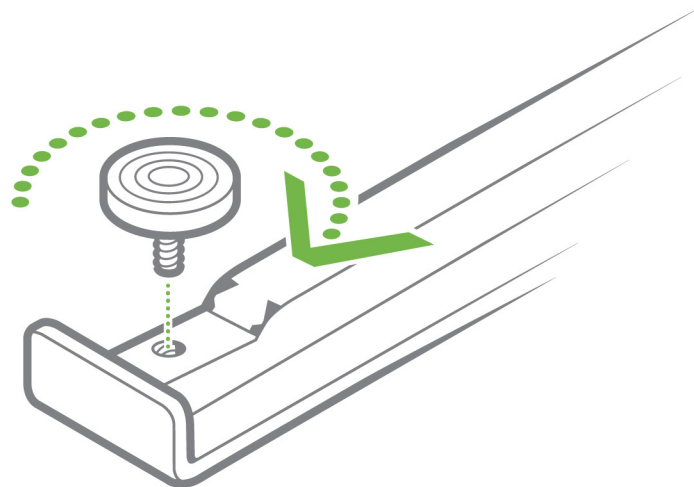


Figure 9 Foot mounted (left: M6; right: M8)

1. Mount the feet on the columns using supplied screws. Max. torque: 10 Nm.



2. Mount the adjustment screws.



Mounting the tabletop

The sound from the lifting column spreads as vibrations to the tabletop which amplifies the sound. This can, however, be reduced.

1. Place vibration/shock-absorbing material between tabletop and top frame.

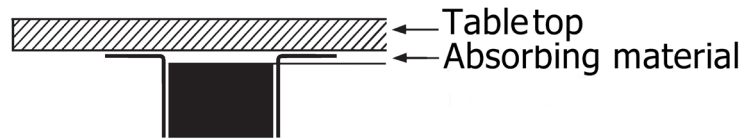


Figure 10 Assembled desk

Placing the monitor

Placement of a monitor directly above the motor housing may cause malfunction of the monitor. Magnets inside the motor may interrupt the picture on the monitor depending on the distance and type of monitor. If this is the case, the problem may be solved by placing an iron plate/tube or another magnetic material, somewhat larger than the motor housing, between the motor and the tabletop.

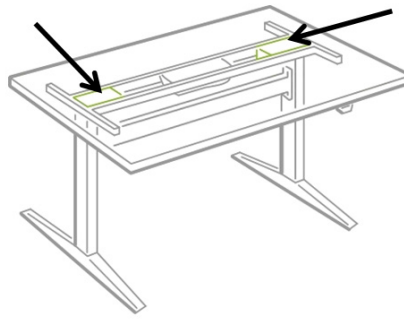
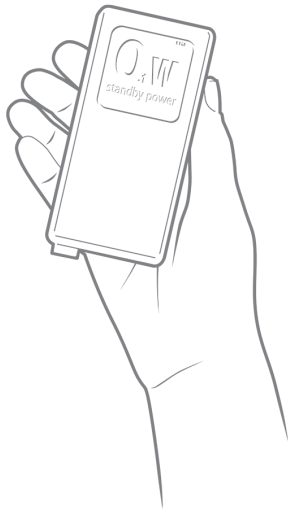


Figure 11 Recommended placement of an iron plate/tube or another magnetic material

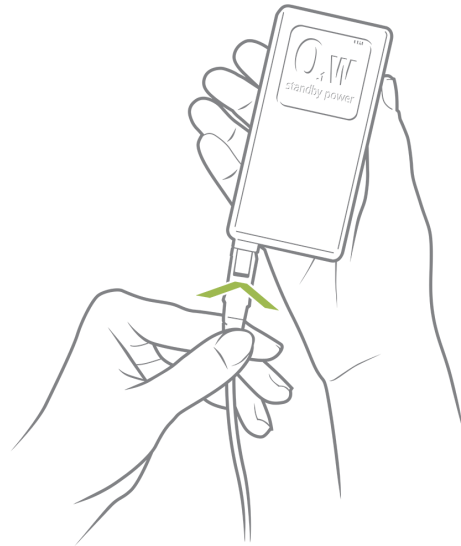
Mounting the locking device (SMPS001/SMPS002)

To ensure optimal cable relief on the SMPS001/002 a locking device (0705889) should be used. Follow the guide below on how to fix the locking device on the SMPS.

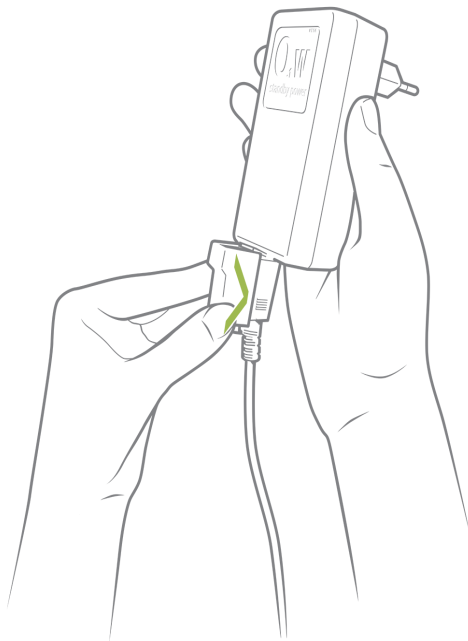
1. Take the SMPS



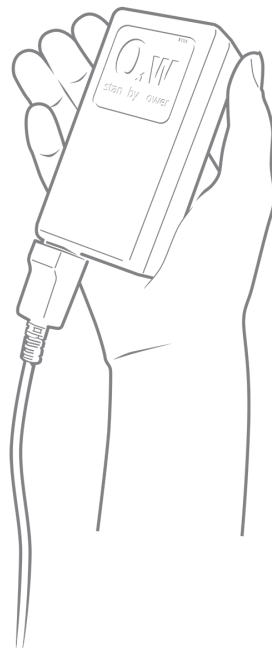
2. Plug the 2-poled DC cable in the SMPS



3. Slide the locking device on

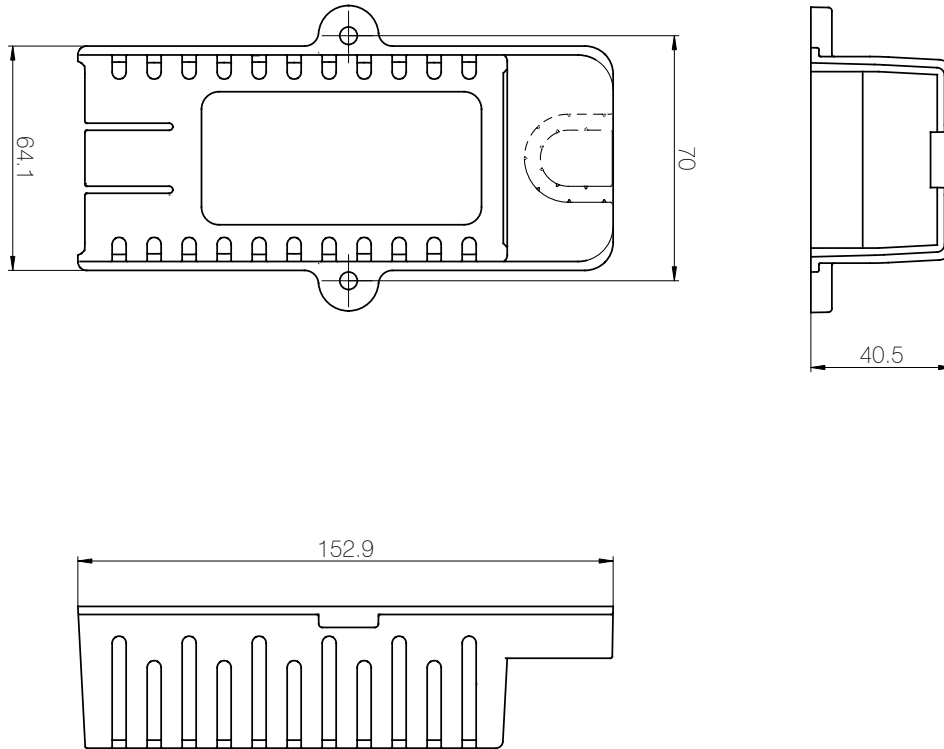


4. The cable is now fully secured.



Mounting the bracket (SMPS006/SMPS007)

A bracket for mounting the SMPS006 onto the application to give a fixed placement and ensure cable relief for the mains cable. Must be ordered separately (SA0705890). The bracket must be fastened with two wood screws with a pan head. The mains cable port of the SMPS006 must face towards the cable relief on the mounting bracket.



Connection

Items required:



Motor cable

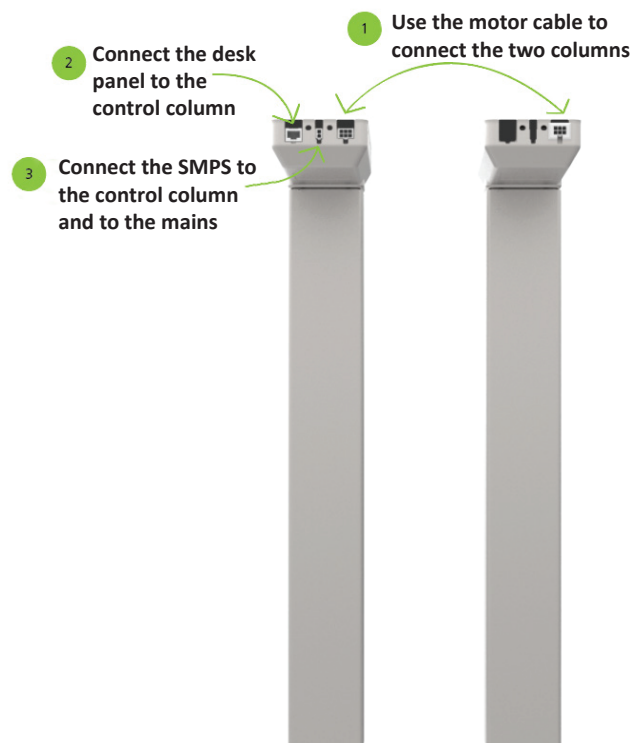


Desk panel (example)



SMPS + cable

1. Connect the control and companion columns using the motor cable.
2. Mount the desk panel onto the desk and connect it to the control column.
3. Connect the SMPS to the control column and to the mains.



It is important to ensure that the motor cables are fixed, but not tightened, near the columns. Fix the cable to the tabletop using a clip observing the **30 mm minimum bending radius (R)**.



CAUTION

Loose cables

Risk of injury to persons or damage to the system.

- Organise cables properly to prevent tripping over and disconnecting them.

Operation



This document describes the DESKLIFT™ column system. For more information on the operation of the system, please refer to the relevant desk panel/control User Manual which is available here: <https://www.linak.com/user-manuals/desklift/>.

Maintenance

Clean dust and dirt from the outside of the system at appropriate intervals and inspect for damage and breaks.

Inspect connections, cables, and plugs without disconnecting, and check functioning as well as fixing points.



CAUTION

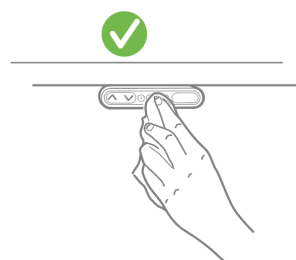
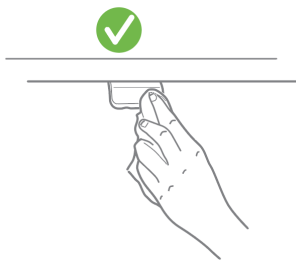
Loose screws

Risk of loss of stability

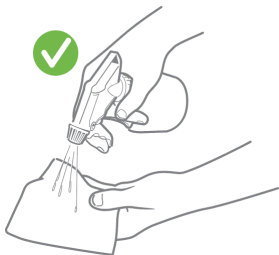
- Check for loose screws on a regular basis. Fasten if necessary.

Cleaning the desk panel

Clean your desk panel with a soft damp cloth. Universal cleaning detergents may be used.



For disinfection of the desk panel, use a 70 percent isopropyl alcohol either as a wipe or add a small amount to a soft cloth.

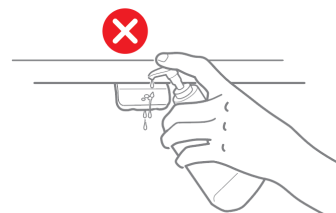
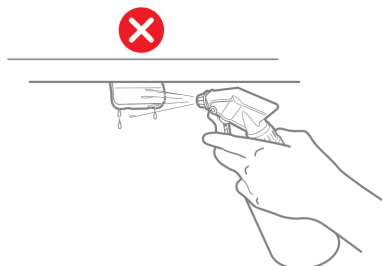


CAUTION

Risk of damaging the desk panel

The desk panel is not a sealed unit and there are electronics inside it.

- Ensure that liquids or moisture does not enter an opening. It may damage the PCB and ruin the desk panel.
- Avoid spraying the cleaning agent or disinfectant directly on the desk panel.



- Cleaning agents and disinfectants must not be highly alkaline or acidic (pH value must be 6 to 8), and they must not contain bleach or chlorine.
- Do not use hand sanitizer gel as a cleaning agent.

Repair and disposal



WARNING

Opening the product

Risk of injury to persons and of malfunction

- Do not open the product unless you are authorised to do so.

Only an authorised LINAK® service centre should repair the LINAK products. Products to be repaired under warranty must be sent to an authorised LINAK service centre.

In order to avoid the risk of malfunction, all product repairs must only be carried out by an authorised LINAK Service shop or repairers, as special tools and parts must be used.


If a product is opened by unauthorised personnel there is a risk that it may malfunction at a later date.

LINAK systems or components may be disposed of, possibly by dividing them into different waste groups for recycling or combustion.

We recommend that our product is disassembled as much as possible at the disposal and that you try to recycle it. LINAK systems or components should be disposed of in accordance with the environmental regulations applicable in the respective country.

Almost all our cast plastic parts are supplied with an interior code for plastic type and fibre contents, if any.

Servicing double-insulated products

In a double-insulated product, two systems of insulation are provided instead of grounding. No grounding means is provided on a double-insulated product, nor is means for grounding to be added to the product. Servicing a double-insulated product requires extreme care and knowledge of the system, and is to be done only by qualified service personnel. Replacement parts for a double-insulated product must be identical to the parts they replace. A double-insulated product is marked with the words "Double insulation" or "Double insulated." The symbol  (square within a square) can also be marked on the product.

Updated manuals and declarations can always be found at:

<https://www.linak.com/user-manuals/desklina/>.

Accessories and spare parts

Accessories

Order from your nearest LINAK® sales office, distributor or subsidiary.

Spare parts

Please contact your nearest LINAK sales office for information on spare parts.

Contacts

FACTORIES

Denmark - Headquarters
LINAK A/S
Phone: +45 73 15 15 15
Fax: +45 74 45 80 48
Fax (Sales): +45 73 15 16 13
Web: www.linak.com

China
LINAK (Shenzhen) Actuator Systems, Ltd.
Phone: +86 755 8610 6656
Phone: +86 755 8610 6990
Web: www.linak.cn

Slovakia
LINAK Slovakia s.r.o.
Phone: +421 51 7563 444
Web: www.linak.sk

Thailand
LINAK APAC Ltd.
Phone: +66 33 265 400
Web: www.linak.com

USA
LINAK U.S. Inc.
Americas Headquarters
Phone: +1 502 253 5595
Fax: +1 502 253 5596
Web: www.linak-us.com
www.linak-latinamerica.com

SUBSIDIARIES

Australia
LINAK Australia Pty. Ltd
Phone: +61 3 8796 9777
Fax: +61 3 8796 9778
E-mail: sales@linak.com.au
Web: www.linak.com.au

Austria
LINAK Zweigniederlassung - Österreich (Wien)
Phone: +43 (1) 890 7446
Fax: +43 (1) 890 744615
E-mail: info@linak.de
Web: www.linak.at - www.linak.hu

Belgium
LINAK Actuator-Systems NV/SA
(Belgium & Luxembourg)
Phone: +32 (0)9 230 01 09
E-mail: beinfo@linak.be
Web: www.linak.be - www.fr.linak.be

Brazil
LINAK Do Brasil Comércio De Atuadores Ltda.
Phone: +55 (11) 2832 7070
Fax: +55 (11) 2832 7060
E-mail: info@linak.com.br
Web: www.linak.com.br

Canada
LINAK Canada Inc.
Phone: +1 502 253 5595
Fax: +1 416 255 7720
E-mail: info@linak.ca
Web: www.linak-us.com

Czech Republic
LINAK C&S s.r.o.
Phone: +42 058 174 1814
Fax: +42 058 170 2452
E-mail: info@linak.cz
Web: www.linak.cz - www.linak.sk

Denmark - International
LINAK International
Phone: +45 73 15 15 15
E-mail: info@linak.com
Web: www.linak.com

Denmark - Sales
LINAK Danmark A/S
Phone: +45 86 80 36 11
Fax: +45 86 82 90 51
E-mail: linak@linak-silkeborg.dk
Web: www.linak.dk

Finland
LINAK OY
Phone: +358 10 841 8700
E-mail: linak@linak.fi
Web: www.linak.fi

France
LINAK France E.U.R.L
Phone: +33 (0) 2 41 36 34 34
Fax: +33 (0) 2 41 36 35 00
E-mail: linak@linak.fr
Web: www.linak.fr

Germany
LINAK GmbH
Phone: +49 6043 9655 0
Fax: +49 6043 9655 60
E-mail: info@linak.de
Web: www.linak.de

India
LINAK A/S India Liaison Office
Phone: +91 120 4531797
Fax: +91 120 4786428
E-mail: info@linak.in
Web: www.linak.in

Italy
LINAK ITALIA S.r.l.
Phone: +39 02 48 46 33 66
Fax: +39 02 48 46 82 52
E-mail: info@linak.it
Web: www.linak.it

Japan
LINAK K.K.
Phone: 81-45-533-0802
Fax: 81-45-533-0803
E-mail: linak@linak.jp
Web: www.linak.jp

Malaysia
LINAK Actuators Sdn. Bhd.
Phone: +60 4 210 6500
Fax: +60 4 226 8901
E-mail: info@linak-asia.com
Web: www.linak.my

Netherlands
LINAK Actuator-Systems B.V.
Phone: +31 76 5 42 44 40 /
+31 76 200 11 10
E-mail: info@linak.nl
Web: www.linak.nl

New Zealand
LINAK New Zealand Ltd
Phone: +64 9580 2071
Fax: +64 9580 2072
E-mail: nzsales@linak.com.au
Web: www.linak.com.au

Norway
LINAK Norge AS
Phone: +47 32 82 90 90
E-mail: info@linak.no
Web: www.linak.no

Poland
LINAK Polska
LINAK Danmark A/S (Spółka Akcyjna)
Phone: +48 22 295 09 70 /
+48 22 295 09 71
E-mail: info@linak.pl
Web: www.linak.pl

Republic of Korea
LINAK Korea Ltd.
Phone: +82 2 6231 1515
Fax: +82 2 6231 1516
E-mail: info@linak.kr
Web: www.linak.kr

Slovakia
LINAK Slovakia S.R.O.
Phone: +421 51 7563 444
Web: www.linak.sk

Spain
LINAK Actuadores, S.L.U
Phone: +34 93 588 27 77
Fax: +34 93 588 27 85
E-mail: esma@linak.es
Web: www.linak.es

Sweden
LINAK Scandinavia AB
Phone: +46 8 732 20 00
Fax: +46 8 732 20 50
E-mail: info@linak.se
Web: www.linak.se

Switzerland
LINAK AG
Phone: +41 43 388 31 88
Fax: +41 43 388 31 87
E-mail: info@linak.ch
Web: www.linak.ch - www.fr.linak.ch
www.it.linak.ch

Taiwan
LINAK (Shenzhen) Actuator systems Ltd.
Taiwan Representative office
Phone: +886 2 272 90068
Fax: +886 2 272 90096
E-mail: sales@linak.com.tw
Web: www.linak.com.tw

Turkey
LINAK İth. İhr. San. ve Tic. A.Ş.
Phone: +90 312 4726338
Fax: +90 312 4726635
E-mail: info@linak.com.tr
Web: www.linak.com.tr

United Kingdom & Ireland
LINAK UK Limited
Phone: +44 (0)121 544 2211
Fax: +44 (0)121 544 2552
E-mail: sales@linak.co.uk
Web: www.linak.co.uk

DISTRIBUTORS

Argentina
Novotec Argentina SRL
Phone: 011-4303-8989 / 8900
Fax: 011-4032-0184
E-mail: info@novotecargentina.com
Web: www.novotecargentina.com

Colombia
MEM Ltda
Phone: +[57] (1) 334-7666
Fax: +[57] (1) 282-1684
E-mail: servicioalcliente@memlda.com.co
Web: www.mem.net.co

India
Mechatronics Control Equipments India Pvt Ltd
Phone: +91-44-28558484, 85
E-mail: bala@mechatronicscontrol.com
Web: www.mechatronicscontrol.com

Indonesia
PT. Himalaya Everest Jaya
Phone: +6 221 544 8956 /+6 221 544 8965
Fax: +6 221 619 1925
Fax (Sales): +6 221 619 4658
E-mail: hejplastic-div@centrin.net.id
Web: www.hej.co.id

Israel
NetivTech LTD
Phone: +972 55-2266-535
Fax: +972 2-9900-560
Email: info@NetivTech.com
Web: www.netivtech.com

Singapore
Servo Dynamics Pte Ltd
Phone: +65 6844 0288
Fax: +65 6844 0070
E-mail: servodynamics@servo.com.sg

South Africa
Industrial Specialised Applications CC
Phone: +27 011 466 0346
E-mail: gartht@isagroup.co.za
Web: www.isaza.co.za

United Arab Emirates
Mechatronics
Phone: +971 4 267 4311
Fax: +971 4 267 4312
E-mail: mechtron@emirates.net.ae

Terms of use

LINAK® takes great care in providing accurate and up-to-date information on its products. However, the user is responsible for determining the suitability of LINAK products for a specific application. Due to continual development, LINAK products are subject to frequent modifications and changes. LINAK reserves the rights to conduct modifications, updates, and changes without any prior notice. For the same reason, LINAK cannot guarantee the correctness and actual status of imprinted information on its products.

LINAK uses its best efforts to fulfil orders. However, for the reasons mentioned above, LINAK cannot guarantee availability of any particular product at any given time. LINAK reserves the right to discontinue the sale of any product displayed on its website or listed in its catalogues or in other written material created and produced by LINAK, LINAK subsidiaries, or LINAK affiliates. All sales are subject to the 'Standard Terms of Sale and Delivery for LINAK A/S' available on LINAK websites. LINAK and the LINAK logotype are registered trademarks of LINAK A/S. All rights reserved.